

viccarbe

Levitt

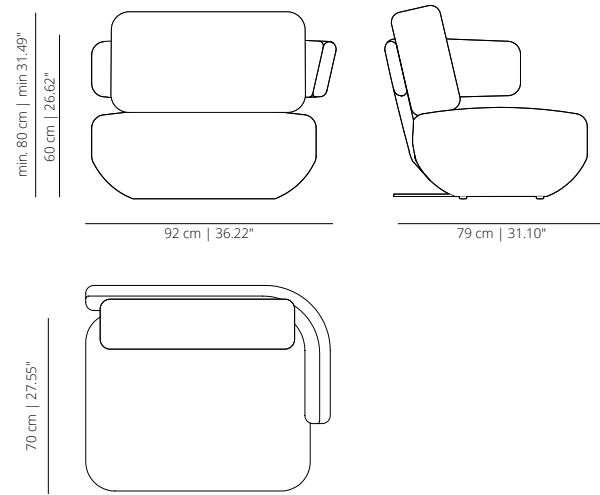
Designed by L + R Palomba

Technical info - EN

V01

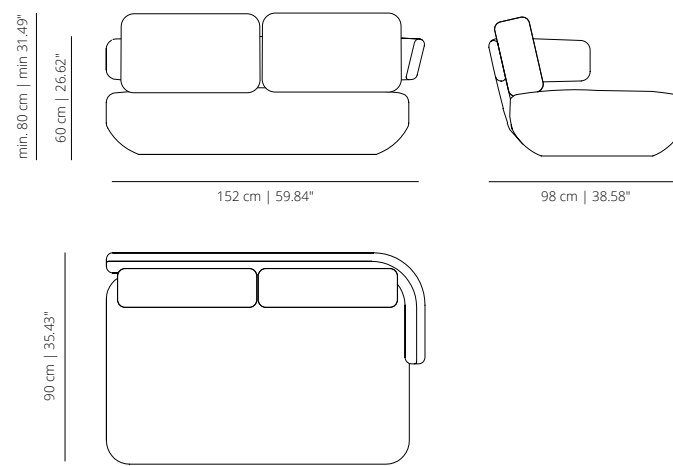
LEVITT LOUNGE

LOUNGE



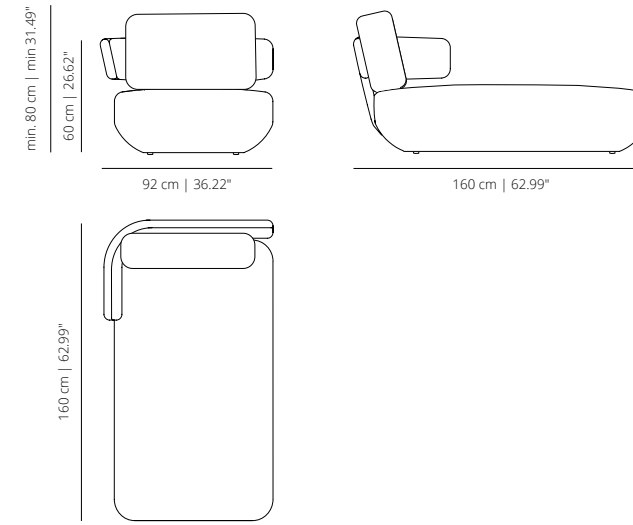
LEVITT SOFA

SOFA 152
sofa

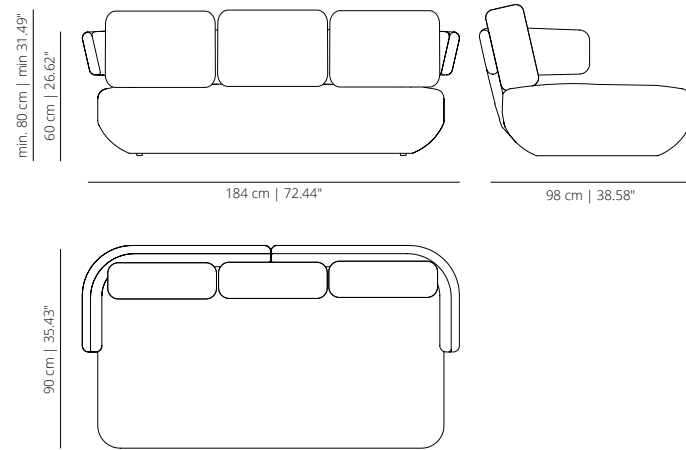


LEVITT SOFA

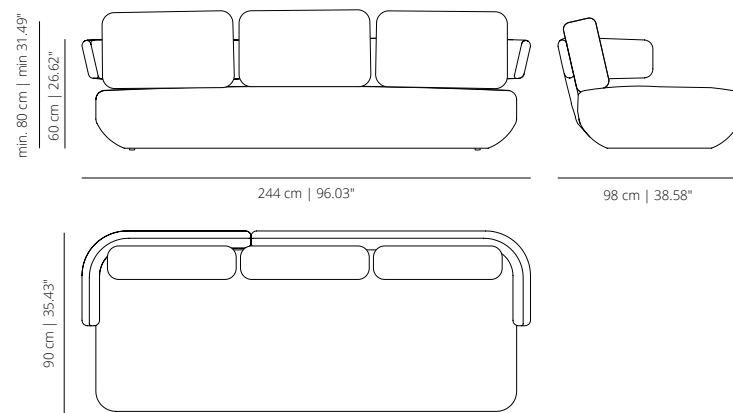
CHAISE



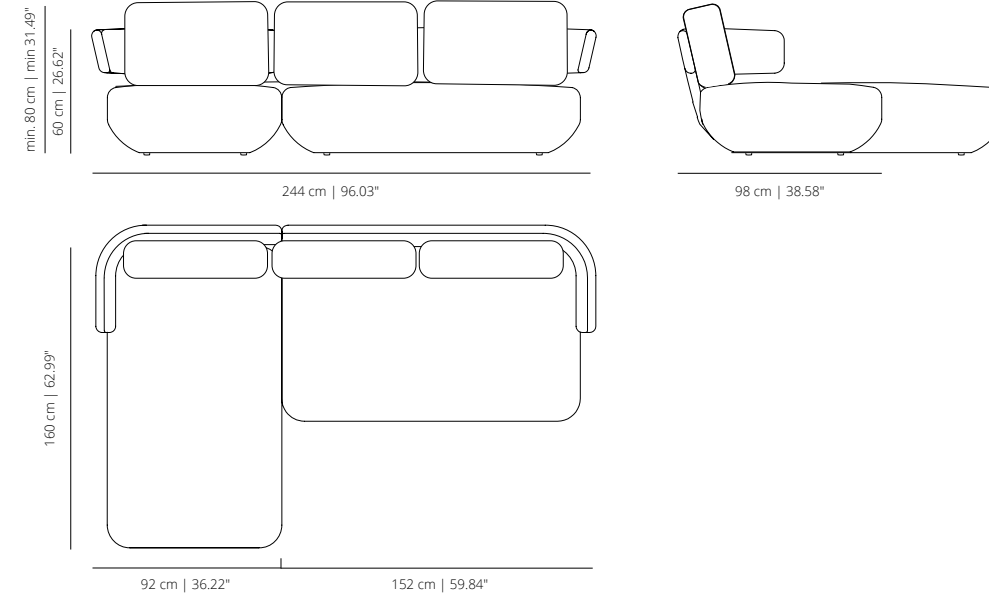
SOFA 184
sofa



SOFA 244
sofa



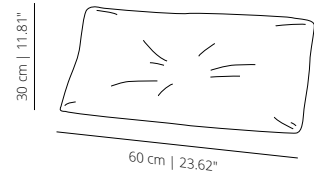
COMPOSITION L1
sofa



CUSHIONS

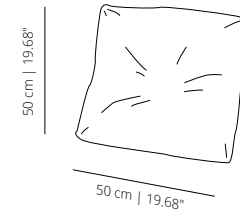
LEAL30

cushion 60x30



LEAL50

cushion 50x50



FINISHES

Upholstery

Check [upholstery](#) fabrics.

TECHNICAL INFO

Seat – interior structure of seat in solid wood. We use PEFC certified wood. Woven seat structure. Structure in plywood with curved back. Expanded polyurethane viscoelastic foam in different densities. Polyester fibre covering. Fabrics or leather. Height equalising legs.

Cushions & backrests – Cushions in washed duck and goose feather with anti-acarus treatment. Anti-feather scape cotton cover.

CERTIFICATIONS

ANSI/BIFMA X5.4-2012 and UNE EN 16139:2013

