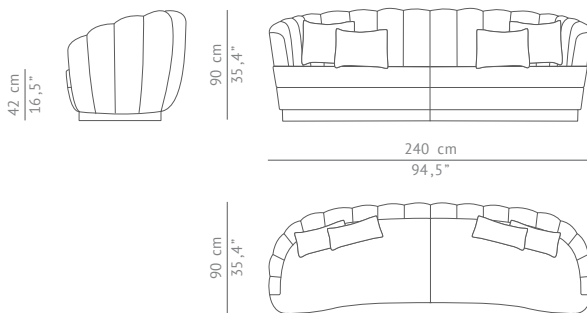


CASEGOODS UPHOLSTERY LIGHTING RUGS ART ACCESSORIES



### PEARL | SOFA

Used since ancient times to make people and their homes look more attractive, pearl was and still is a noble material used either in jewelry, furniture, home accessories or cosmetic products. Upholstered with white glossy velvet, PEARL contemporary sofa offers a delicate and surprising touch, as rare as what is found inside a smooth oyster. This art deco inspired sofa with curved back and sides, is bordered with piping and has an aged brass base. PEARL contemporary sofa is an essential upholstery piece for a refined yet comfortable living room set. With its smooth touch, PEARL is the perfect design piece to bring a warm and cozy feeling to a living room set.



#### DIMENSIONS

WIDTH	240 cm   94,5"
DEPTH	90 cm   35,4"
HEIGHT	90 cm   35,4"
SEAT HEIGHT	42 cm   16,5"
SEAT DEPTH	77 cm   30,31"
ARMREST HEIGHT	67 cm   26,37"

#### MATERIALS

FABRIC	Cotton velvet
FABRIC REFERENCE	BB MOSS III - Colour 2
FABRIC NEEDED	12 mts   472,44" (Standard width 1,40mts   55")
BASE	Matte vintage brass

#### FABRIC / LEATHER REQUEST

COM	12 mts   472,44" (Standard width 1,40mts   55")
COL	184,8 sq ft

#### PACKAGING

DIMENSIONS	W 247 cm   97,24" D 97 cm   38,10" H 97 cm   38,10"
VOLUME	2,32 m <sup>3</sup>   81,93 ft <sup>3</sup>
WEIGHT	132kg   291 lbs

#### LEAD TIME

Production time is between 6 to 8 weeks for BRABBU collections.  
Delivery time is not included.

All of our furniture can be made to measure and it is available in different finishes.

Please note that the colours and materials shown are for reference only and small variations may occur.