

outdoor

Oh lamp

Suspension lamp / lámpara de suspension

studio expormim 2015/2019

C022 T

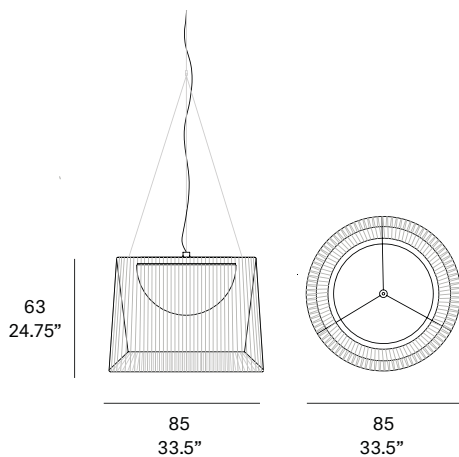


Screen made of stainless steel rod 10 mm/0.39" thick, finished with polyester powder paint and hand-woven high resistance rope 24 mm/0.94" wide. PE hemispherical diffuser. Lamps Ø85 cm/33.5": LED light source, 22 watts, 3000 K, 2405 lumens and 85 CRI. Lamp is IP-55 certified.

Pantalla fabricada en varilla de acero inox. de 10 mm de sección acabada en pintura de polvo de poliéster y trenzada con cuerda de alta resistencia de 24 mm de sección. Difusor semiesférico de PE. Lámpara Ø85: fuente de luz LED con 22 Wattios, 3000 K, 2405 lumens y 85 CRI. La luminaria dispone de certificación IP-55.

Shipment details

Qty	1 lamp (1 box)
Volume	0,55 m3 / 19.5 ft3
Gross weight	23 kg / 51 lb
Net weight	18 kg / 40 lb
Item dimensions (width x depth x height)	85 x 85 x 63 cm 33.5" x 33.5" x 24.75"



expormim

Expormim S.A.
Pol. Ind. Jaime I
46640 Moixent (Valencia) Spain
+34 962 295 144/5
export@expormim.com
www.expormim.com

Expormim USA LLC
(212) 204-8572
usa@expormim.com
www.expormim.com

1/3

frame / estructura

metallic finishes / metales



100 FT white



102 FT light grey
fine textured



111 FT graphite
fine textured



108 FT oxide
fine textured



109 FT champagne
fine textured



110 FT bronze
fine textured



113 FT sage
fine textured

outdoor

screen / pantalla

polyester rope - 24 mm / 0.94" wide



509 taupe



510 SPK
orange



511 SPK
dark orange



513 SPK
oxide



501 black

polypropylene rope - 24 mm / 0.94" wide



520 SPK
sand



522 SPK
concrete



524 SPK
ivy



526 SPK
turquoise



527 forest
green