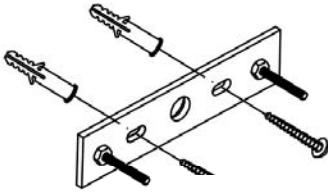
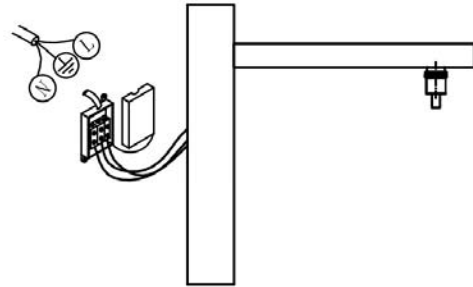


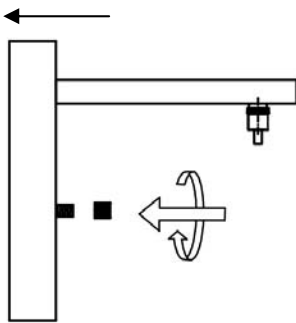
1



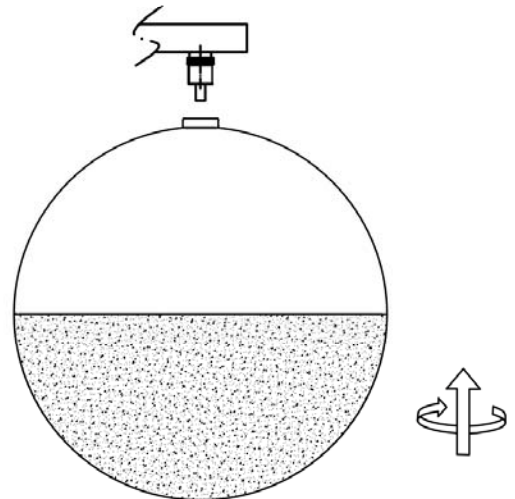
2



3

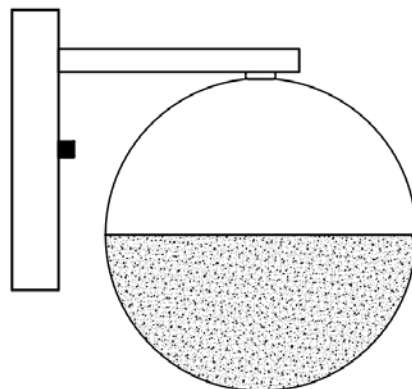


4



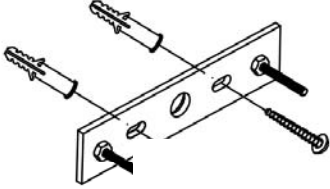
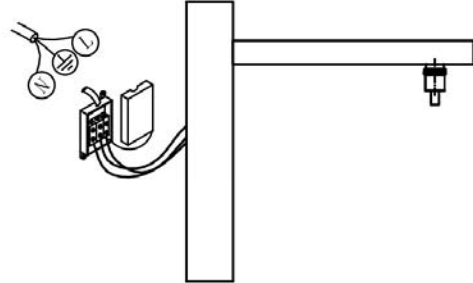
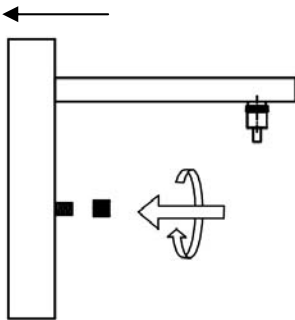
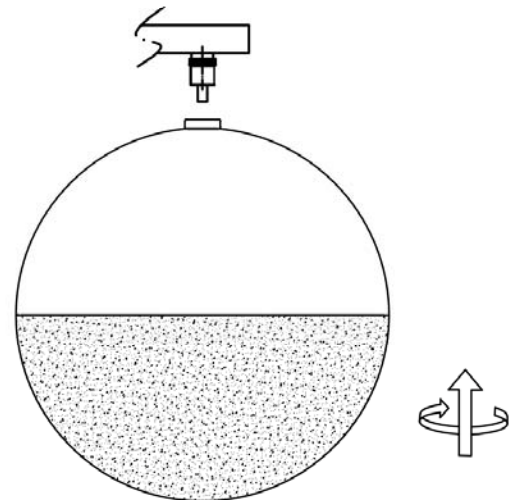
Enroscar la tulipa sin soltarla hasta hacer tope.

Thread the shade, holding it, until the end.



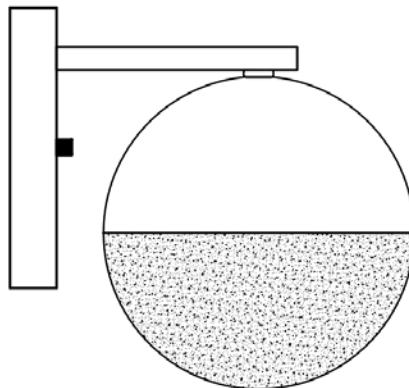
Para ver la ficha técnica de producto completa, puede usar el siguiente código QR:



1**2****3****4**

Enrosca la tulipa sin soltarla hasta hacer tope.

Thread the shade, holding it, until the end.



You may use the following QR code to view the complete technical data sheet of the product:



If you have any technical questions, please do not hesitate to contact our technical Department.
We are at your disposal in our email: irodriguez@schuller.es