

HARING • TABLES

REF. HARING.ST

WEIGHT

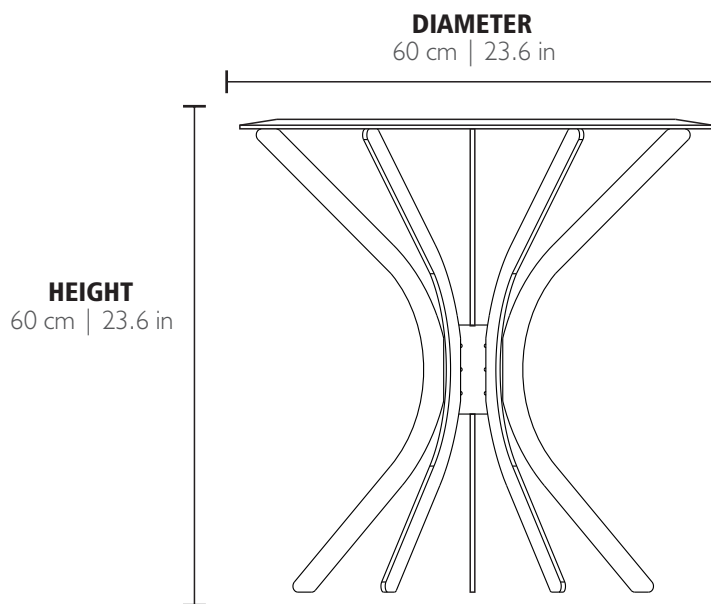
Net Weight: 11kg | 24.3 lbs
 Gross Weight: 24kg | 52.9 lbs

MATERIALS

Body: Brass
 Top: Marble | Wood | Glass

PACKING (approx.)

Dimensions: 73 x 73 x 80 cm
 28.7 x 28.7 x 31.5 in
 Volume: 0.43 m³ | 15.06 ft³



- CE - Products manufactured according the European norm of security EN 60 598-1.
- F - Products adjusted for installation in surfaces normally inflammable.
- - Products of class II. The electric isolation is double or reinforced.
- ES - Products with the possibility of installation of low-energy consumption bulbs.

PRODUCT FINISHES & COSTUMIZATION OPTIONS



MORE FINISHES AVAILABLE HERE:
[CLICK HERE](#) 