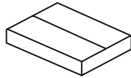




Kave® Cares



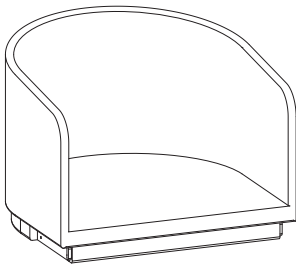
15 min



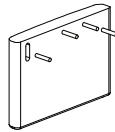
x1



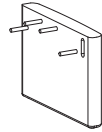
x2



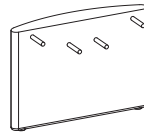
A x1



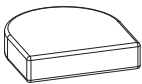
B x1



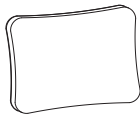
C x1



D x1



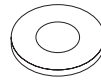
E x1



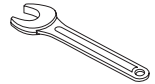
F x1



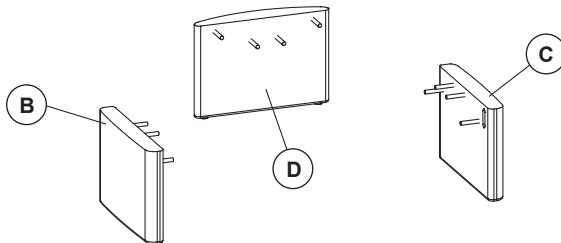
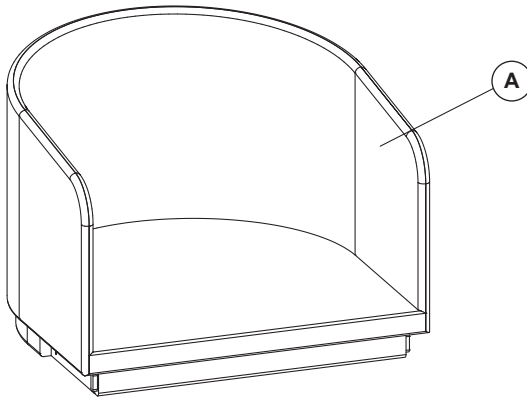
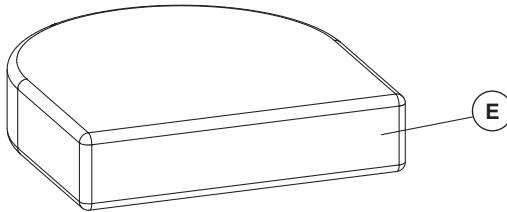
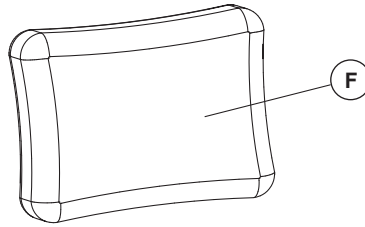
G x12
M8x8mm



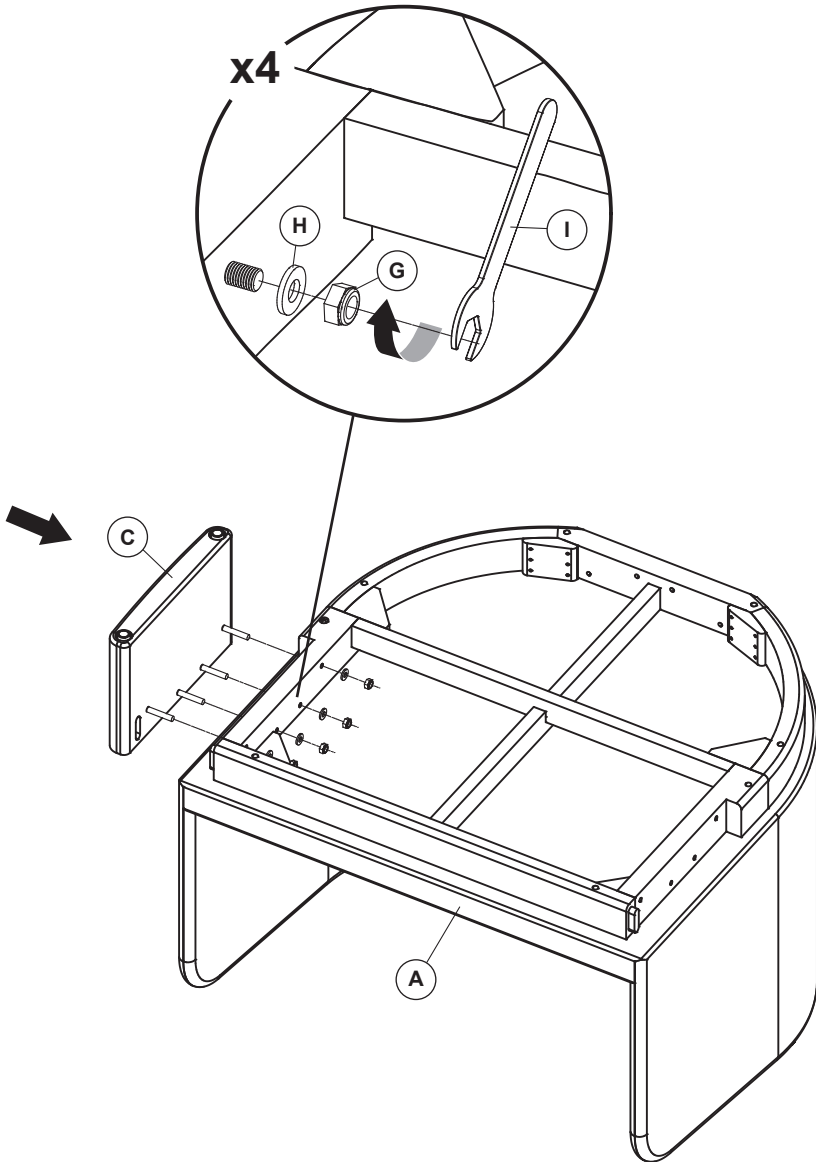
H x12
Ø19x2mm



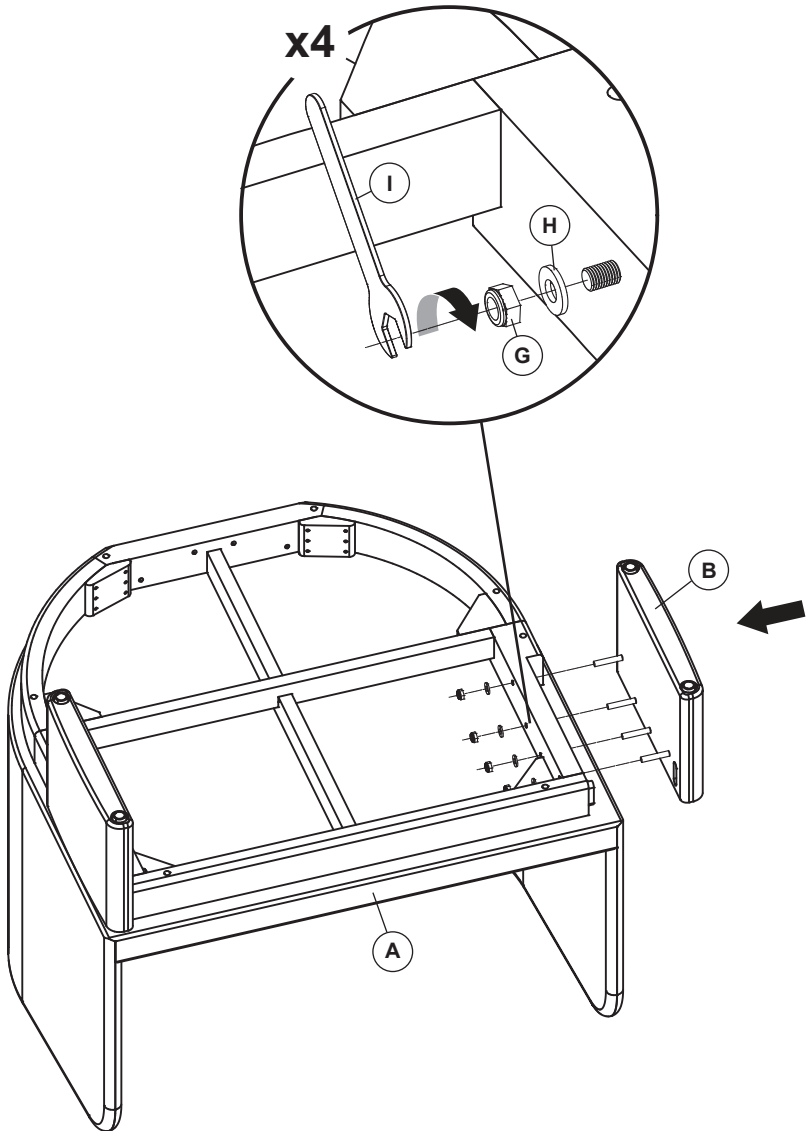
I x1



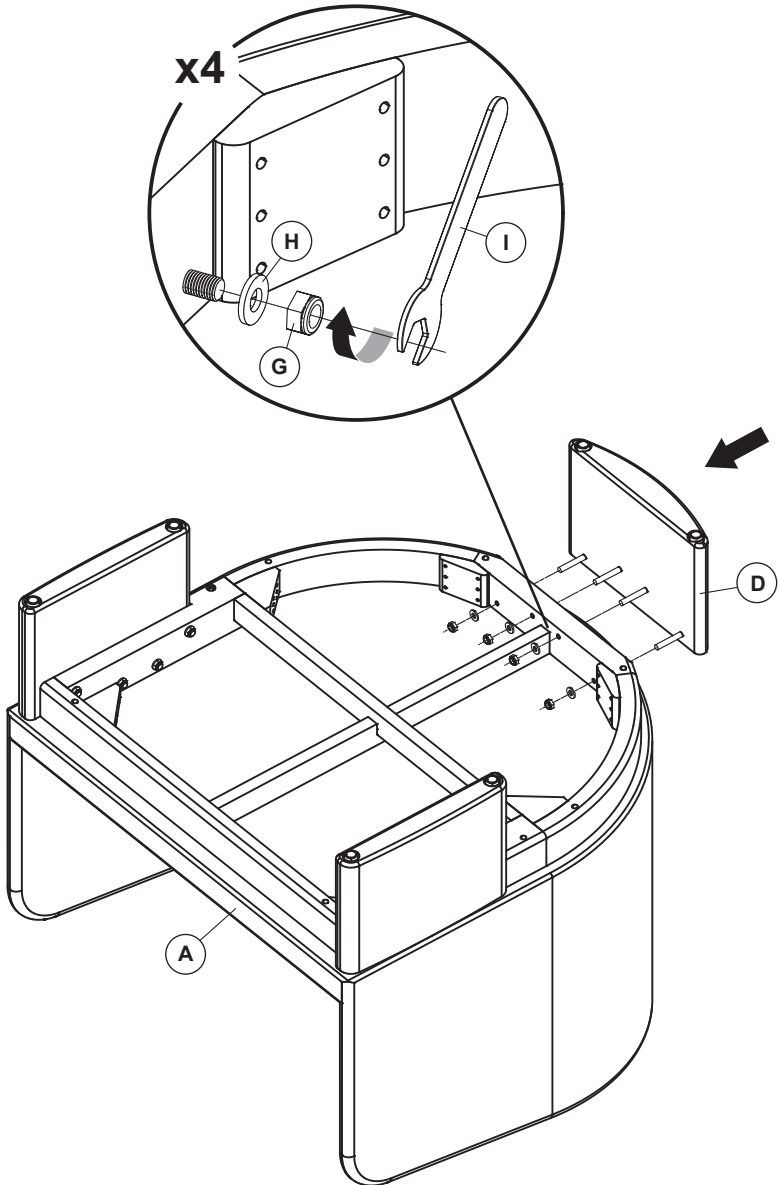
1



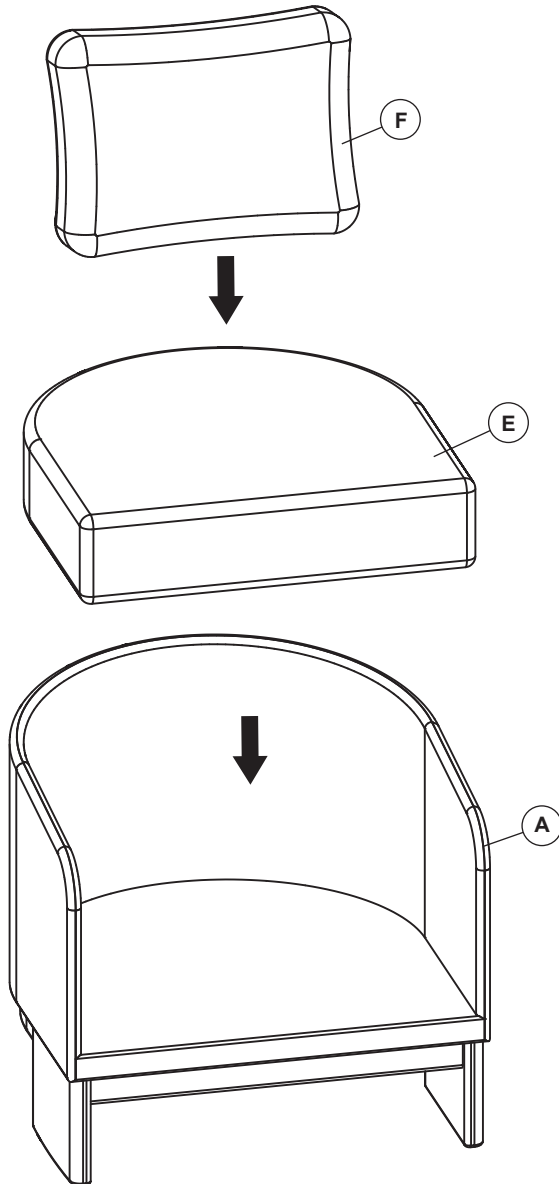
2

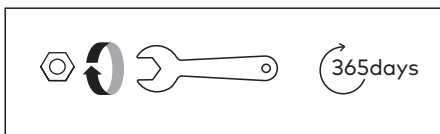
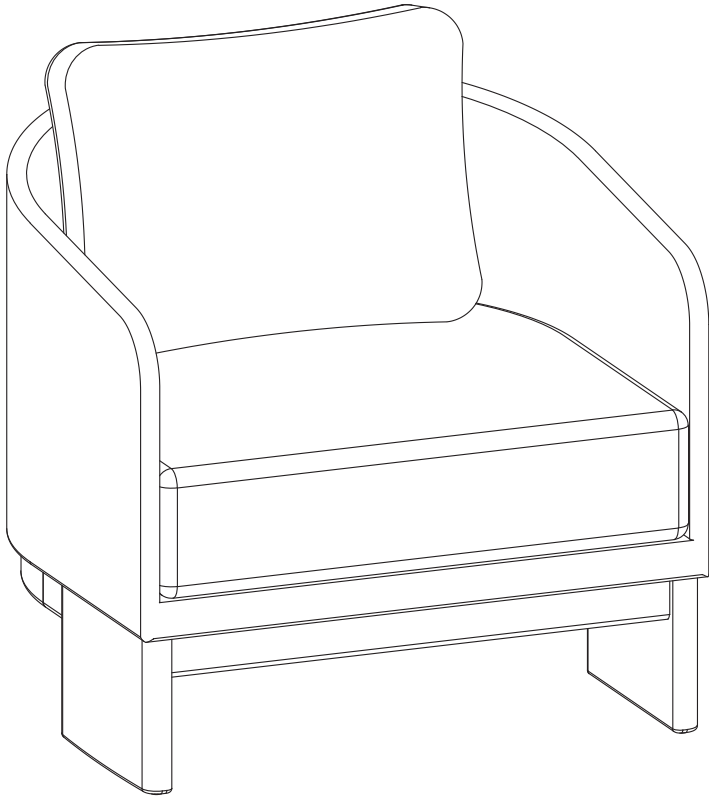


3



4







THAT'S ALL FOLKS

Share your style!

#KaveHome

