


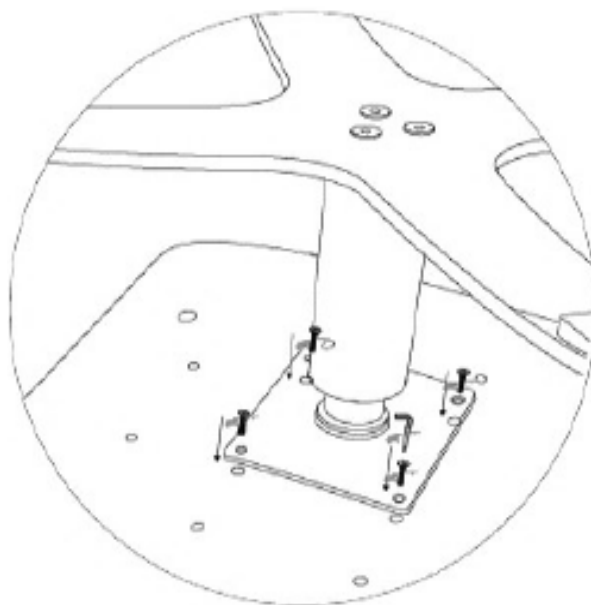


SETTING FITTINGS								
FITTINGS	SPEC.	AMOUNT	FITTINGS	SPEC.	AMOUNT	FITTINGS	SPEC.	AMOUNT
A		4 pcs	B		1 pcs	C		1 pcs

**FIG.**  
**1**



**FIG.**  
**2**

