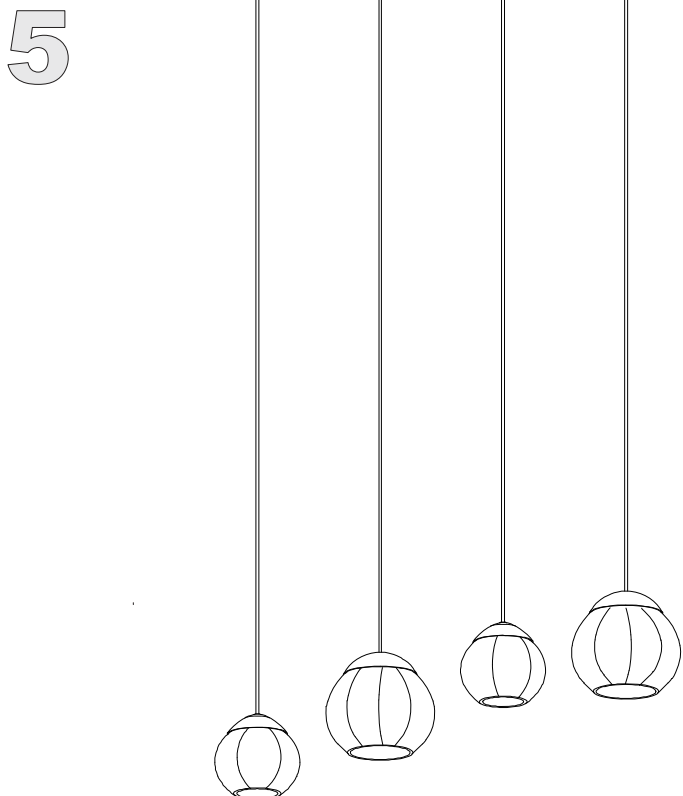
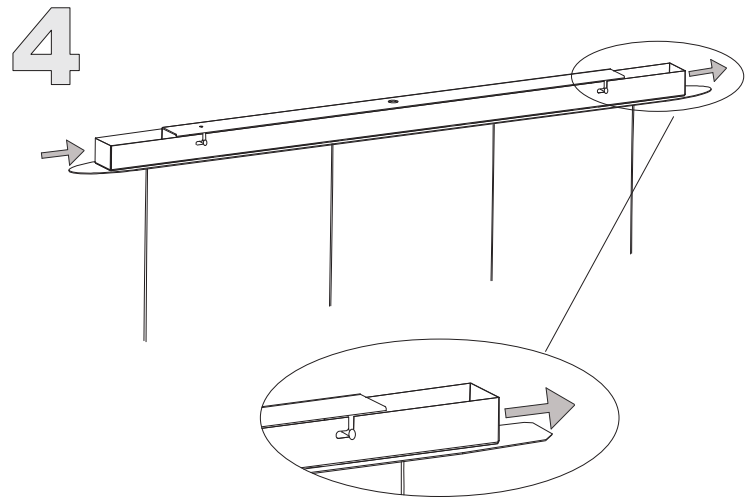
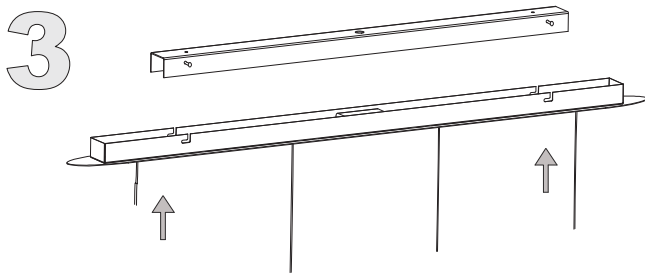
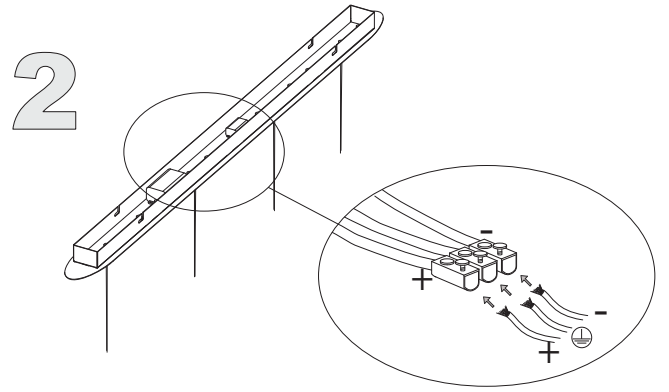
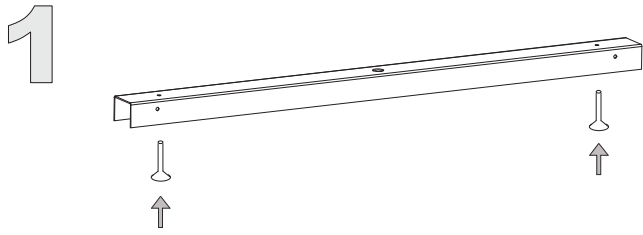


Soft 5900/46 + 5910/046 + 5920/041



**ALMA**light  
Barcelona

[www.almalight.com](http://www.almalight.com)

Cristobal de Moura, 195-197,  
08019 - Barcelona, Spain  
t. +34.93.266.07.75 // +34.93.308.53.46  
e-mail: [info@almalight.com](mailto:info@almalight.com)