



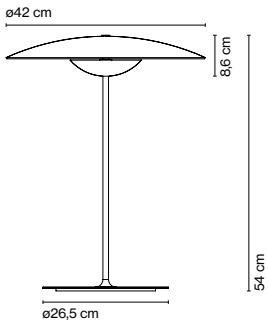
# Ginger

## Joan Gaspar

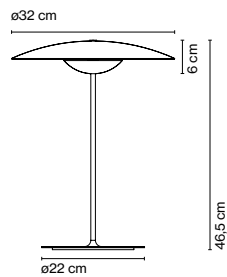
**marset**



**Ginger M**



**Ginger S**



**Ginger M**

Light source:  
LED SMD 700mA 16,28W  
2700K CRI90 1873lm  
Luminaire:  
85 - 264 VAC 16,85W 698lm

**Ginger S**

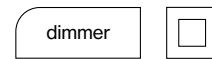
Light source:  
LED SMD 700mA 8,2W  
2700K CRI90 913lm  
Luminaire:  
85 - 264 VAC 10,56W 350lm

LED included

- Oak
- Wenge

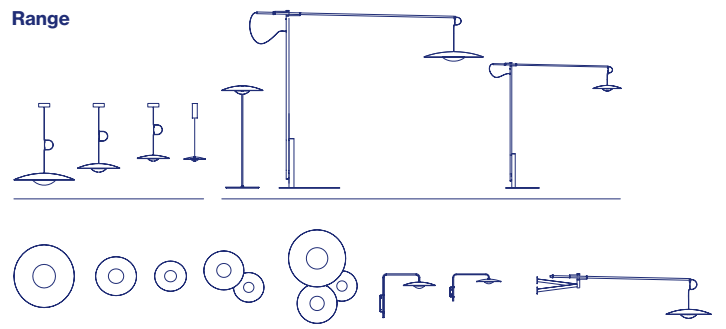
Black electrical cord

Diffuser and pressed wood base of 4 mm in natural oak or wenge. Injected aluminium dissipater and lacquered black matte metal stem.



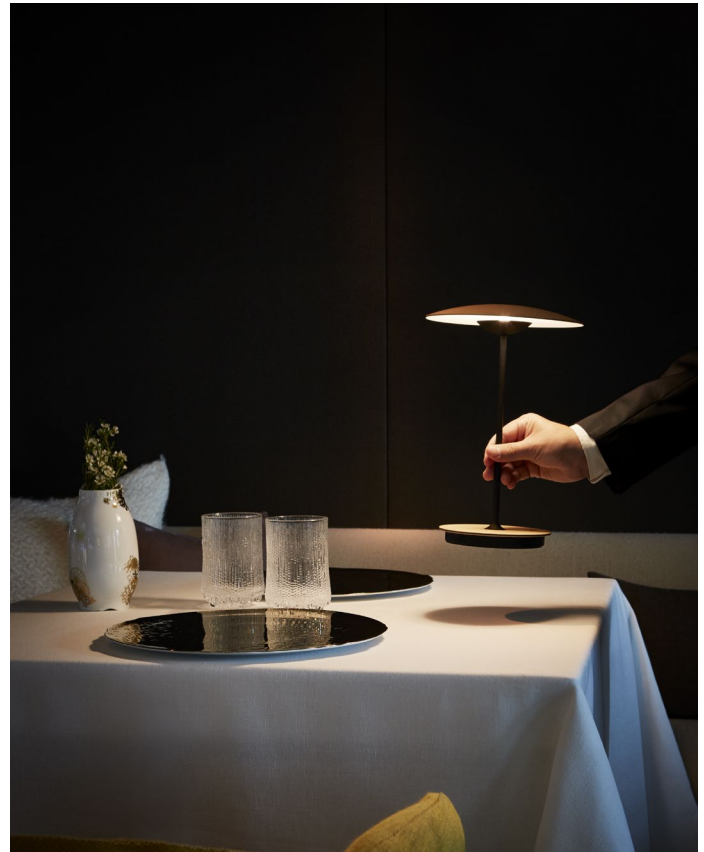
- [Download](#) Assembly Instructions
- [Download](#) Photometric Data
- [Download](#) 2D
- [Download](#) 3D
- [Download](#) Energy label

**Range**

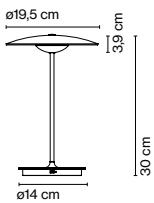


Watch the video  
info@marset.com  
www.marset.com

Wood is a great ally of cozy lighting. It is a material that is hard to mold, a challenge that the Ginger collection neatly resolves. The combination of sheets of wood and paper pressed together under high pressure achieves a laminate that appears almost entirely flat.



**Ginger 20 M**

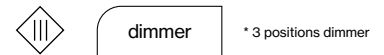


**Ginger 20 M**

LED SMD 3,5W 1A 2700K  
CRI90  
Luminaire 290lm  
Fuente de luz 395lm (included)

Diffuser and pressed wood base of 4 mm in natural oak or wenge. Injected aluminium dissipater and lacquered black matte metal stem. Battery is located inside the base, with 5 hours of battery life at peak performance.

- Oak
- Wenge
- Brushed brass - Brushed brass
- Brushed brass - White



**Battery life**

5 hours in peak power  
10 hours in half power  
20 hours in a quarter power

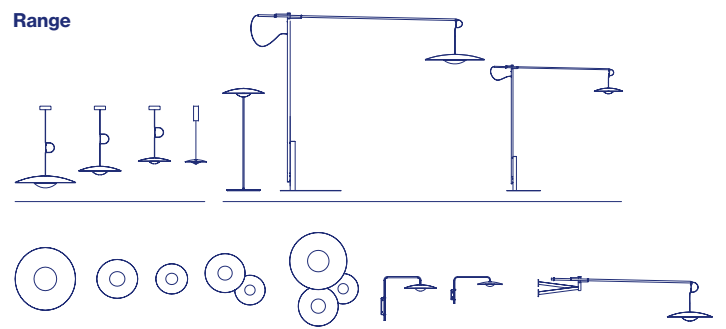
- [Download](#) Assembly Instructions
- [Download](#) Photometric Data
- [Download](#) 2D
- [Download](#) 3D
- [Download](#) Energy label

Battery charging time: 10h



Watch the video  
info@marset.com  
www.marset.com

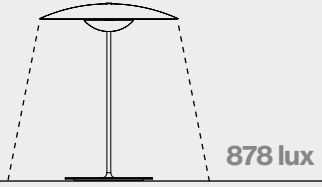
**Range**



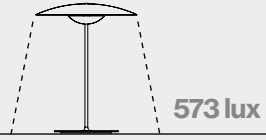
Wood is a great ally of cozy lighting. It is a material that is hard to mold, a challenge that the Ginger collection neatly resolves. The combination of sheets of wood and paper pressed together under high pressure achieves a laminate that appears almost entirely flat.

### How Ginger illuminates

**Ginger M**



**Ginger S**



**Ginger 20 M**

