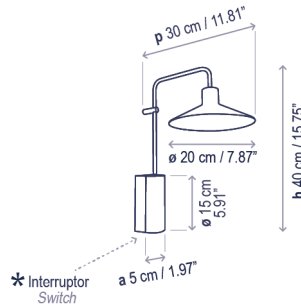


Platet A/02

Diseño / Design:
Christophe Mathieu / 2020

Tipología: Aplique
Typology: Wall lamp

Ambiente: Interior
Environment: Indoor



Descripción técnica / Technical description:

Peso Neto: 0,77 kg
Net Weight: 0,77 kg

1 Caja/Box | 47 x 47 x 39 cm | 0,09 m³
Peso bruto / Gross Weight: 2,95 kg

Materiales: Aluminio, Latón, Hierro
Materials: Aluminum, Brass, Iron

Interior de la pantalla en blanco
White inner lampshade

*Con interruptor
*With switch

Personalizable
Customizable

*Bombillas no incluidas
*Bulbs not included

Certificaciones
Certifications

Descripción lámpara / Lamps description:

100-240V 50/60Hz | IP-20 1 x MAX 9W E-14 LED P45

Ref	Acabados / Finishing	Ean13
*21102001149	Interruptor - Negro Ébano-Teja Switch - Ebony Black-Terracotta	8435493736105
*21102001148	Interruptor - Negro Ébano-Gris Claro Switch - Ebony Black-Light Grey	8435493736099
*21102001147	Interruptor - Negro Ébano-Gris Oliva Switch - Ebony Black-Olive Grey	8435493736082
*21102001153	Interruptor - Negro Ébano-Patiné Switch - Ebony Black-Antique Brass	8435493736112

Descripción lámpara (LED) / Lamps description(LED):

110-240V 50/60Hz | IP-20 4,2W LED / CRI: 90 / 2700K 504 lm fuente de luz / light source

Ref	Acabados / Finishing	Ean13
21102007149	LED Interruptor - Negro Ébano-Teja Switch LED - Ebony Black-Terracotta	8435493736044
21102007148	LED Interruptor - Negro Ébano-Gris Claro Switch LED - Ebony Black-Light Grey	8435493736020
21102007147	LED Interruptor - Negro Ébano-Gris Oliva Switch LED - Ebony Black-Olive Grey	8435493736006
21102007153	LED Interruptor - Negro Ébano-Patiné Switch LED - Ebony Black-Antique Brass	8435493736068

Descripción lámpara (LED regulable) / Lamps description(Dimmable LED):

230V 50Hz | IP-20 TRIAC 4,2W LED / CRI: 90 / 2700K 504 lm fuente de luz / light source

Ref	Acabados / Finishing	Ean13
21102013149	LED Regulable Triac - Negro Ébano-Teja Dimmable Triac LED - Ebony Black-Terracotta	8435493735900
21102013148	LED Regulable Triac - Negro Ébano-Gris Claro Dimmable Triac LED - Ebony Black-Light Grey	8435493735894
21102013147	LED Regulable Triac - Negro Ébano-Gris Oliva Dimmable Triac LED - Ebony Black-Olive Grey	8435493735887
21102013153	LED Regulable Triac - Negro Ébano-Patiné Dimmable Triac LED - Ebony Black-Antique Brass	8435493735917

Familia / Family: Platet



Indoor / Interior

Outdoor / Exterior

bover
barcelona lights

Avda. Catalunya 173
Poligon Ind. Sud
08440 Cardedeu
Barcelona, Spain

T. +34 938 713 152
F. +34 938 462 089
info@bover.es
www.bover.es