

ASSEMBLY INSTRUCTION

7041-CP1803-A-1822



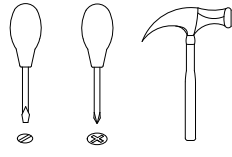
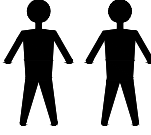
- A x8
Spec: $\phi 11.8 * \phi 10 * L11$
 - B x8
Spec: 5/16*45
 - C x8
Spec: $\phi 8 * \phi 14$
 - D x1
Spec: 5#
 - E x8
Spec:
 - F x1
Spec:
- 
- 

FIG. 1

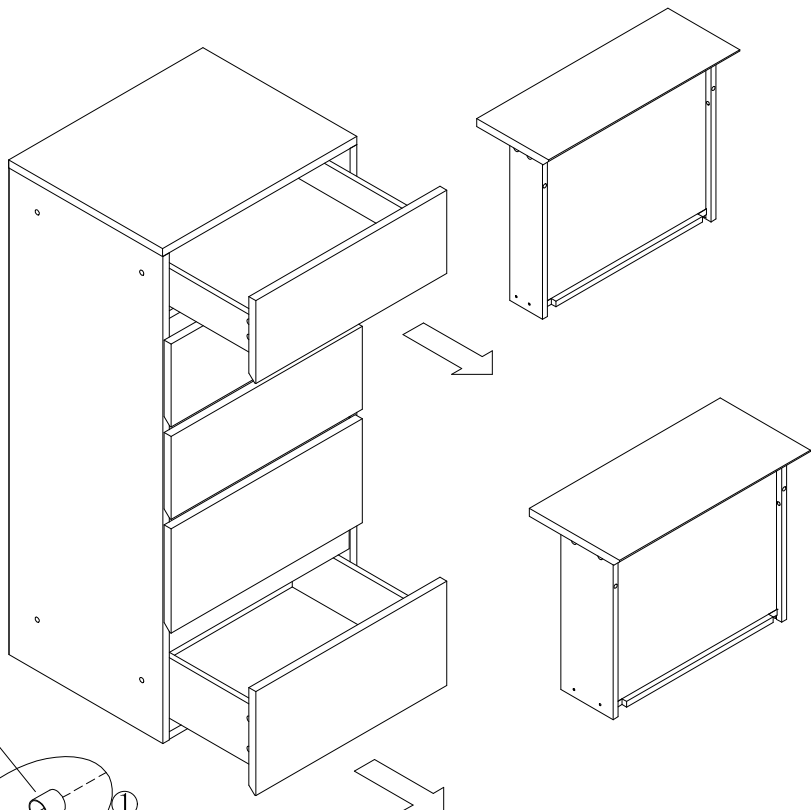


FIG. 2

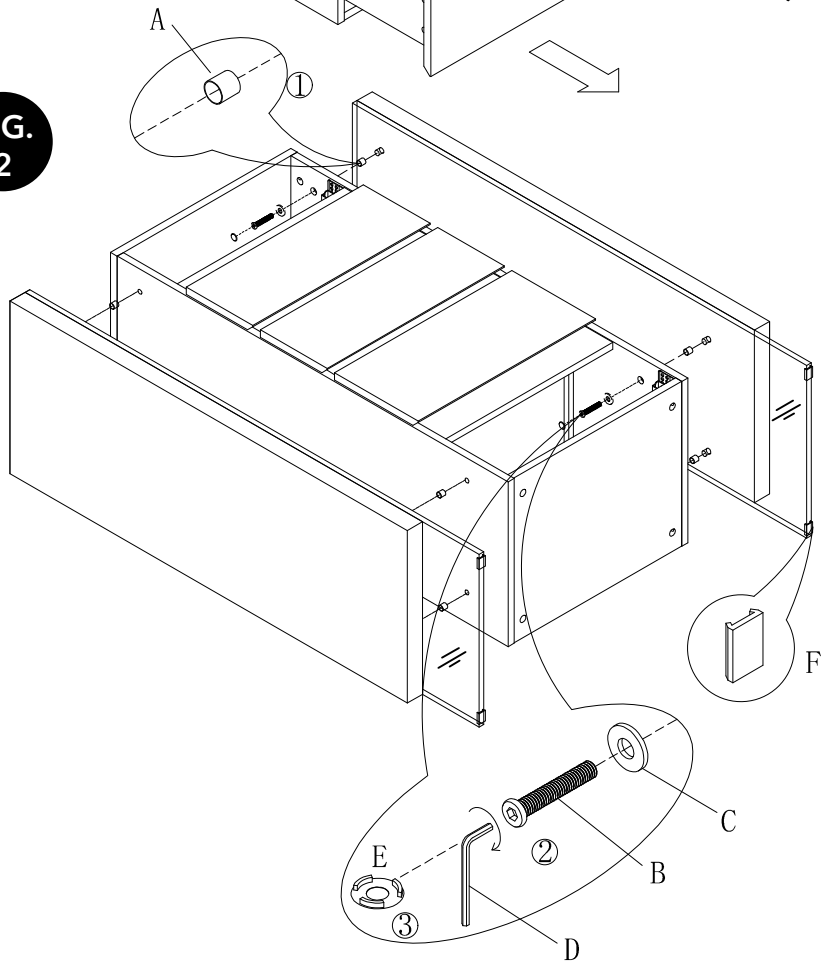


FIG.
3

