

Ginger

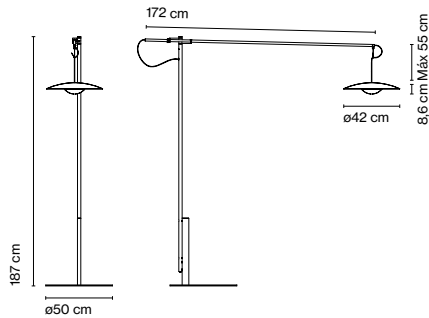
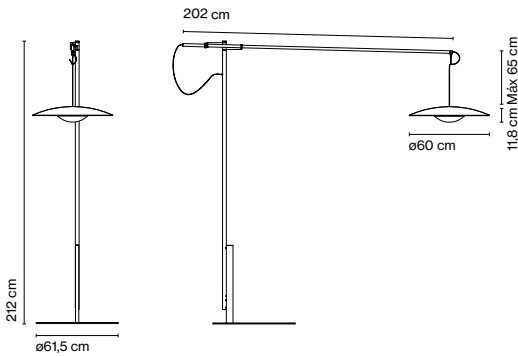
Joan Gaspar

marset



Ginger XXL 60

Ginger XL 42



Wood is a great ally of cozy lighting. It is a material that is hard to mold, a challenge that the Ginger collection neatly resolves. The combination of sheets of wood and paper pressed together under high pressure achieves a laminate that appears almost entirely flat.

Ginger XXL 60
 LED SMD 18,8W 700mA
 2700K CRI90
 Luminaire 1165lm
 Light Source 3023lm
 (included)

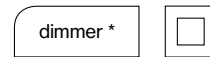
Ginger XL 42
 LED SMD 13W 700mA
 2700K CRI90
 Luminaire 698lm
 Light Source 2130lm
 (included)

- Oak
- Wenge

Black electrical cord

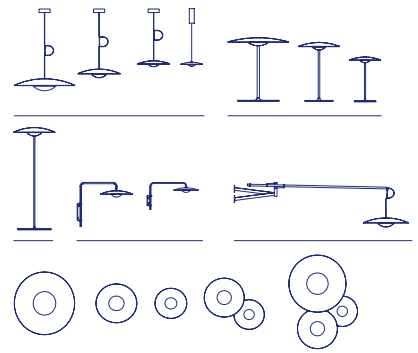
* Ginger XL 42: in-line motion sensor dimmer
 Ginger XXL 60: integrated motion sensor dimmer

Pressed wood diffuser of 4 mm in natural oak or wenge. Injected aluminum dissipater, metal stem and base in lacquered black matte. Movable arm made of carbon fiber, lacquered in black matte.



- [Download](#) Assembly Instructions
- [Download](#) Photometric Data
- [Download](#) 2D
- [Download](#) 3D
- [Download](#) Energy label

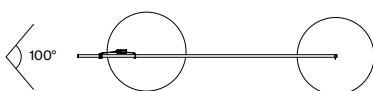
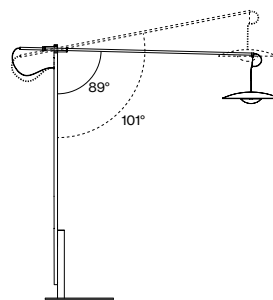
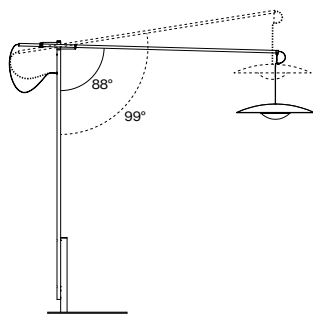
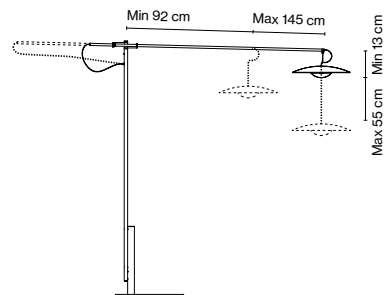
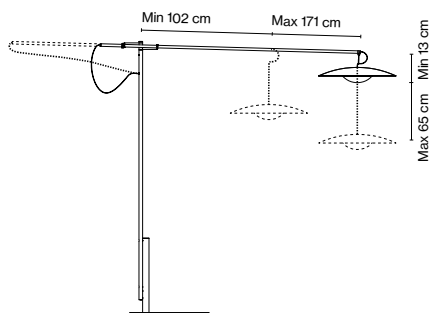
Range



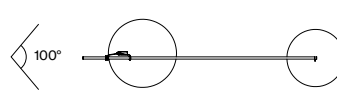
With an original system to orient and suspend it, the Ginger lampshade hangs from a structure that replaces the ceiling. The system allows the lamp to slide forward and backward and to be folded to either size. The carbon fiber arm has two possible movements depending on the pre-established position of the pivot joint. It is altogether striking, spectacular yet contained. It comes in two sizes to fit the needs of different spaces.



Range of positions



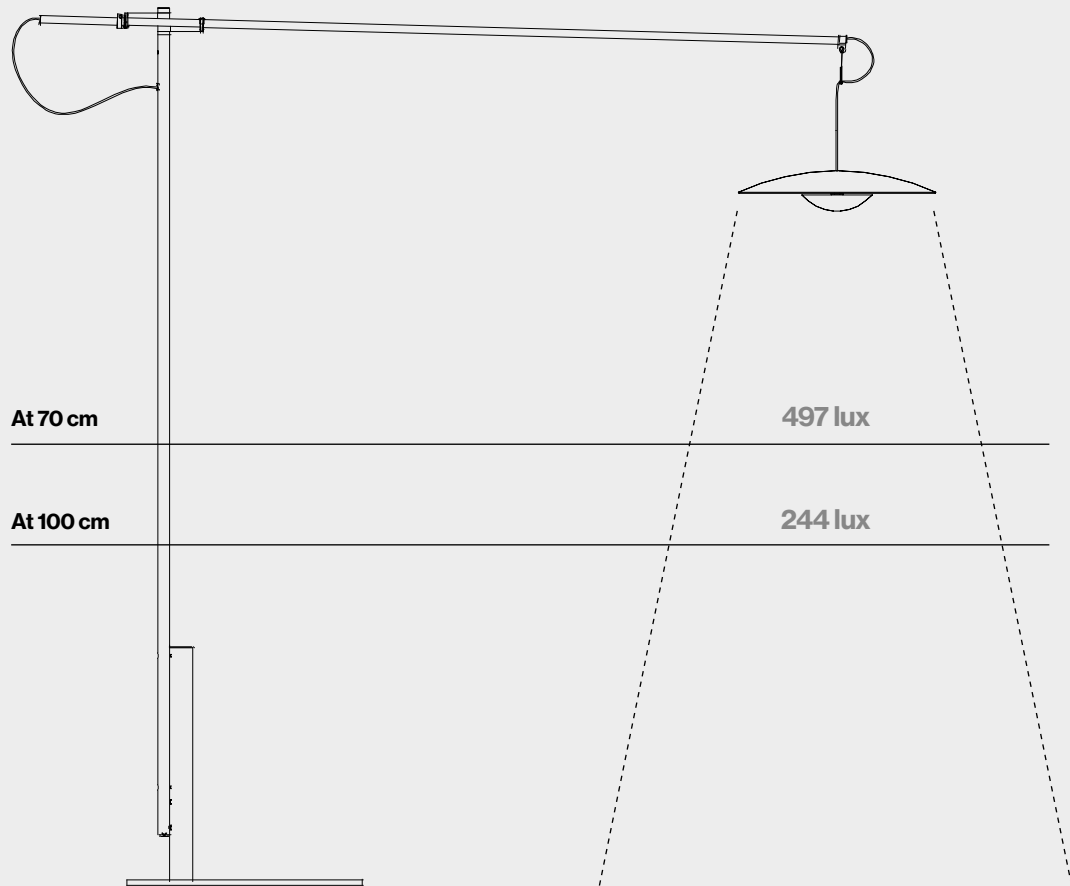
Ginger XXL 60



Ginger XL 42

How Ginger illuminates

Ginger XXL 60



Ginger XL 42

