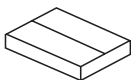


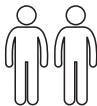




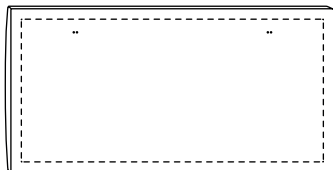
15 min



x2



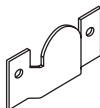
x1



A x1



B x1



C x4

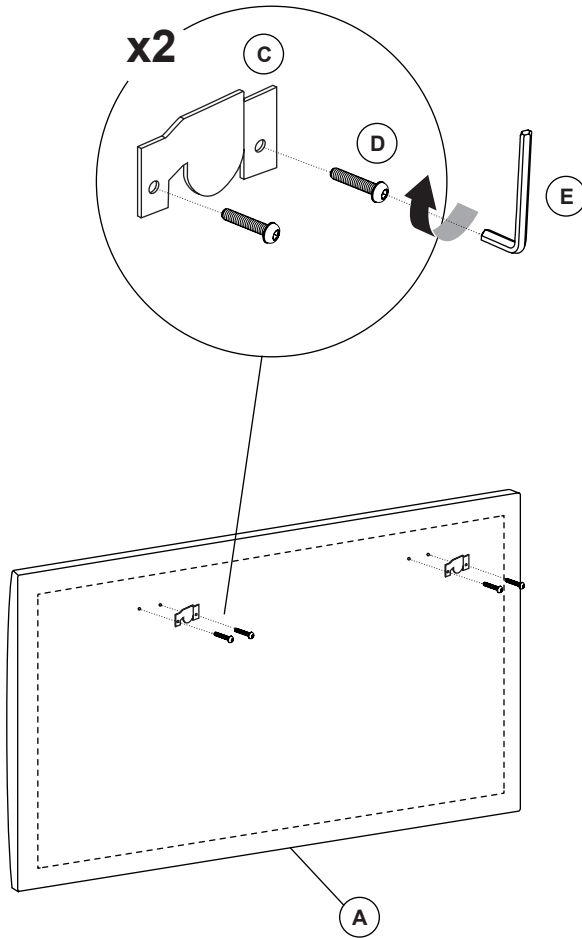


D x4

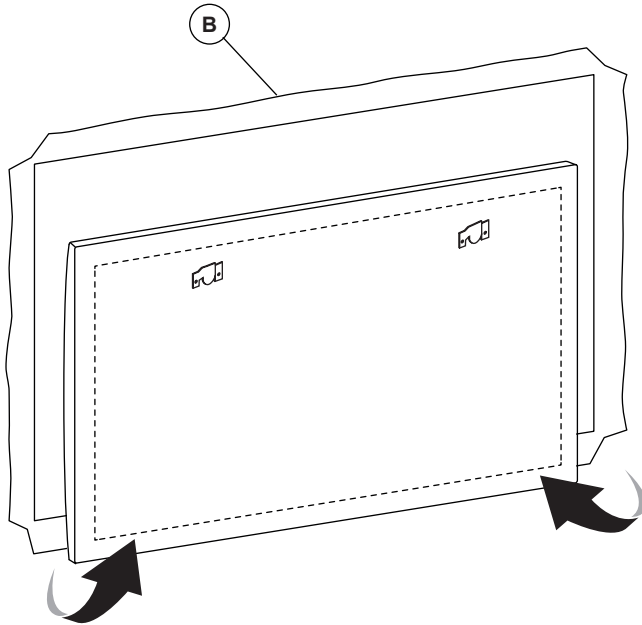


E x1

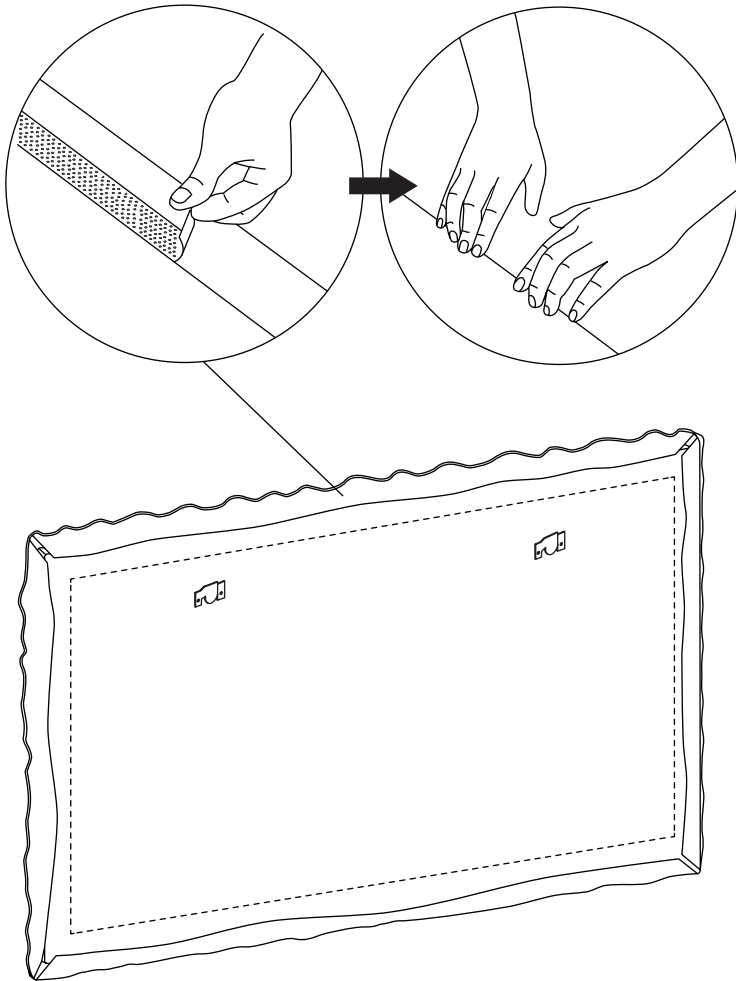
1



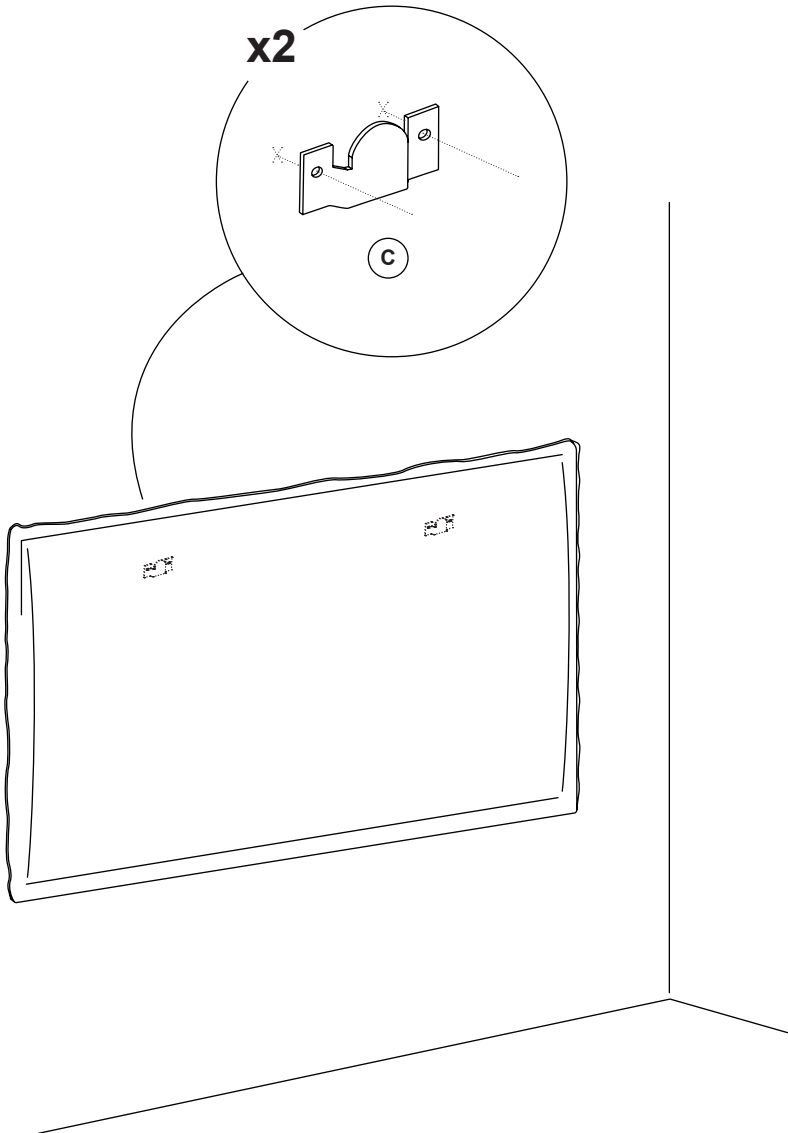
2



3



4





THAT'S ALL FOLKS!

Share your style!

#KaveHome

