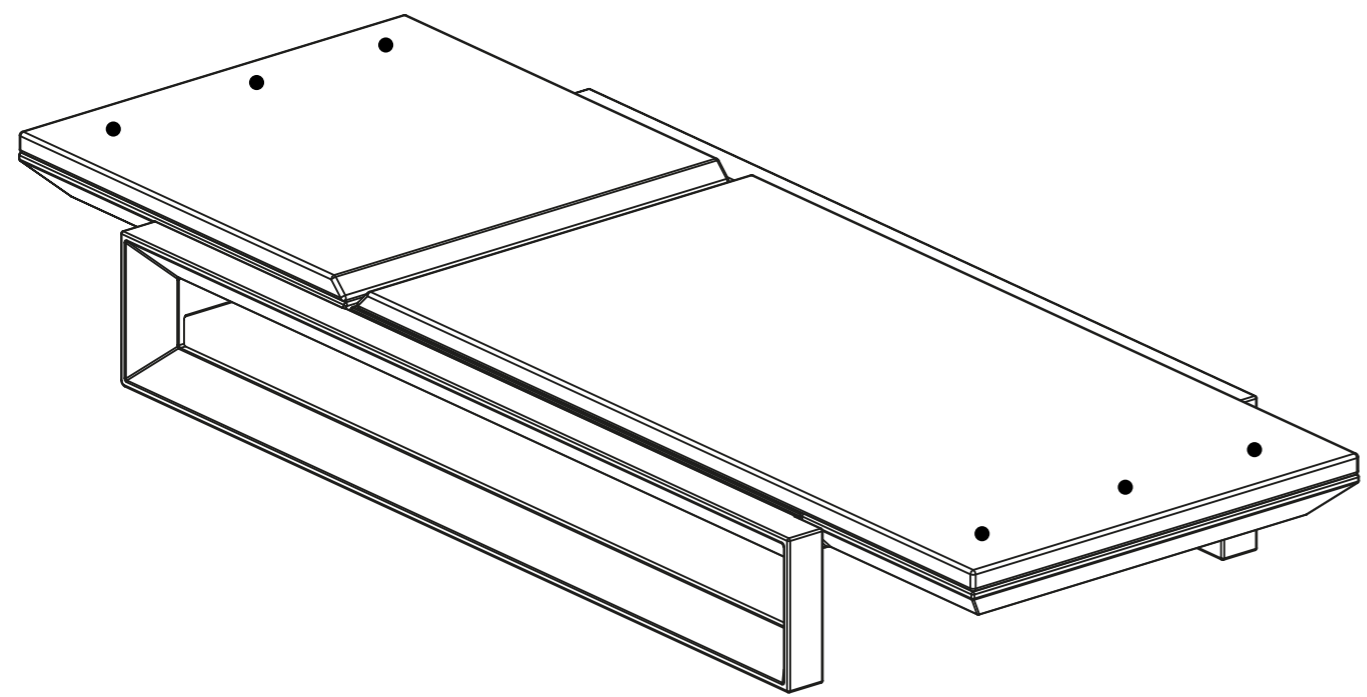
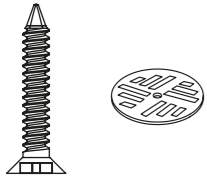
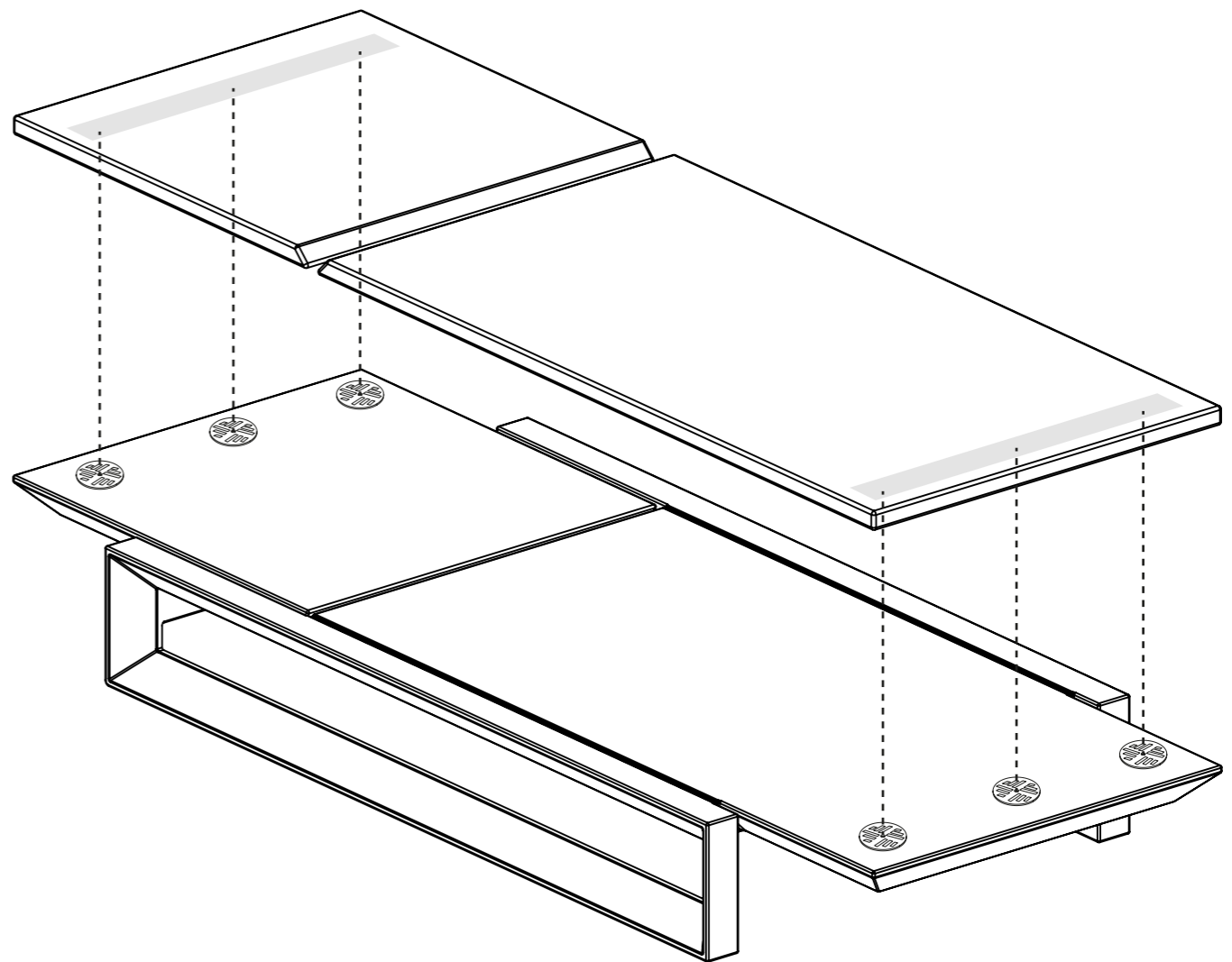


12 11 10 9 8 7 6 5 4 3 2 1

X6 x6



1. Place the cushion to mark on the Frame sun chaise
the drill points of the discs aligned with the Velcro fabric



2. Screw the discs aligned with the Velcro fabric

F
E
D
C
B
A

F
E
D
C
B
A

VONDOM®				VONDOM S.L.U. AVENIDA VALENCIA Nº3 CP:46891 EL PALOMAR (VALENCIA) ESPAÑA TELEFONO: +34 96 239 84 86			
FORMAT	NAME	DATE	SIGNATURE	MATERIAL:	PLANE VERSION	COLLECTION:	
3D DESIGN				WEIGHT:			
2D DESIGN				THICKNESS: HRC	PIECE REVISION	DESIGNER:	
		SCALE: 1:1	THICKNESS: HRC	MAX.DIMENSIONS X: Y: Z:	QUANTITY PLANE 1 OF 1		
		VOLUME:					
DESCRIPTION:							
54097_FRAME_TUMBONA_R3							

12 11 10 9 8 7 6 5 4 3 2 1 A3