

ASSEMBLY INSTRUCTION

2050-CP1803-G-NOGAL-1818




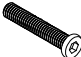

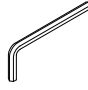




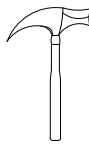
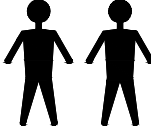
- 
A x8
 Spec: $\phi 11.8 \times \phi 10 \times L11$
 - 
B x8
 Spec: 5/16*15
 - 
C x8
 Spec: $\phi 8 \times \phi 14$
 - 
D x1
 Spec: 5#
 - 
E x6
 Spec:
 - 
F x4
 Spec:
- 




FIG. 1

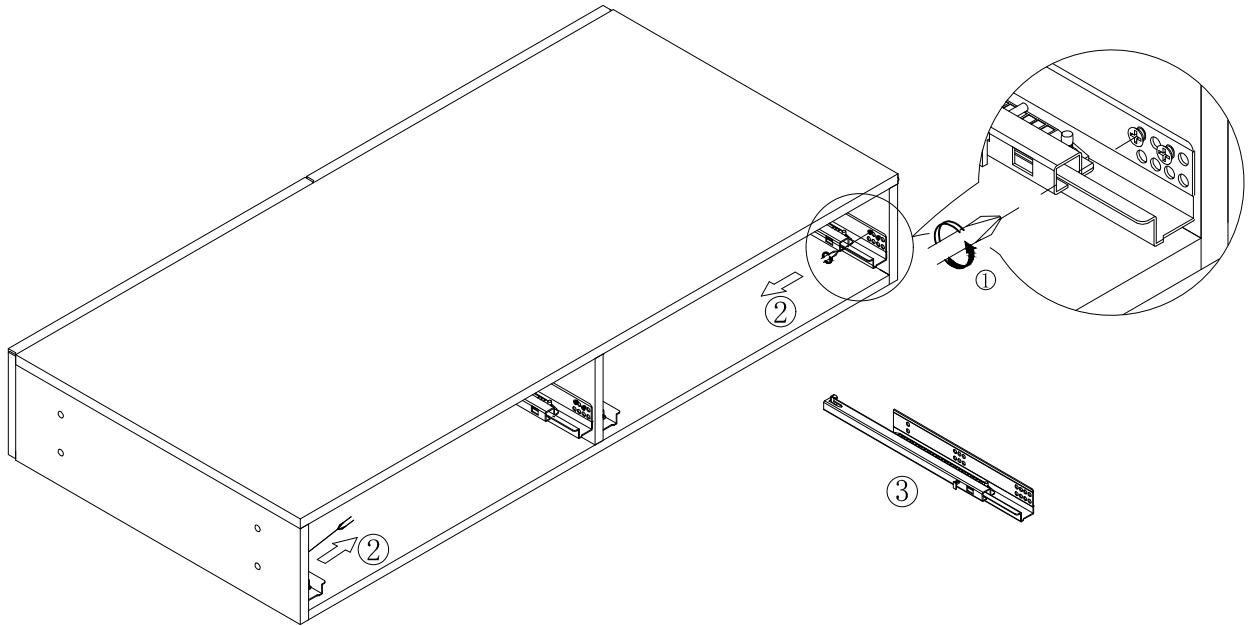


FIG. 2

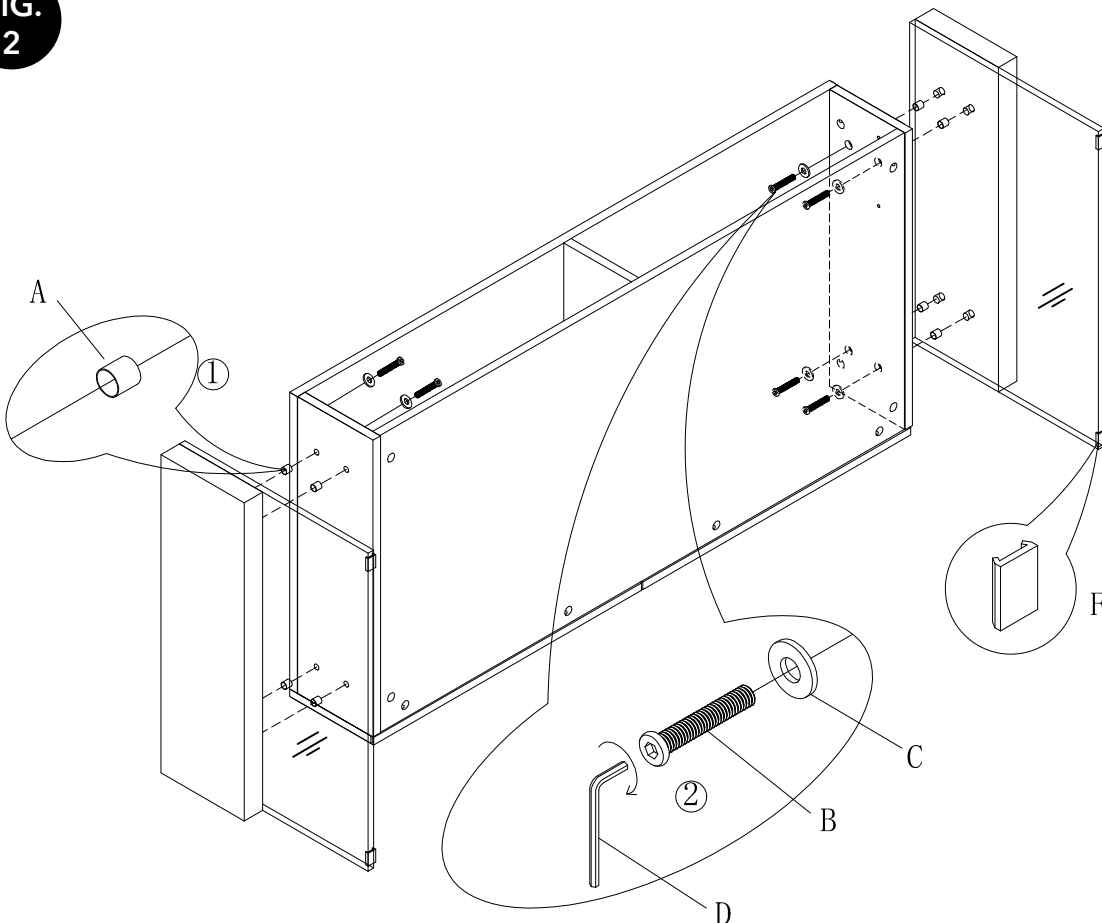


FIG.
3

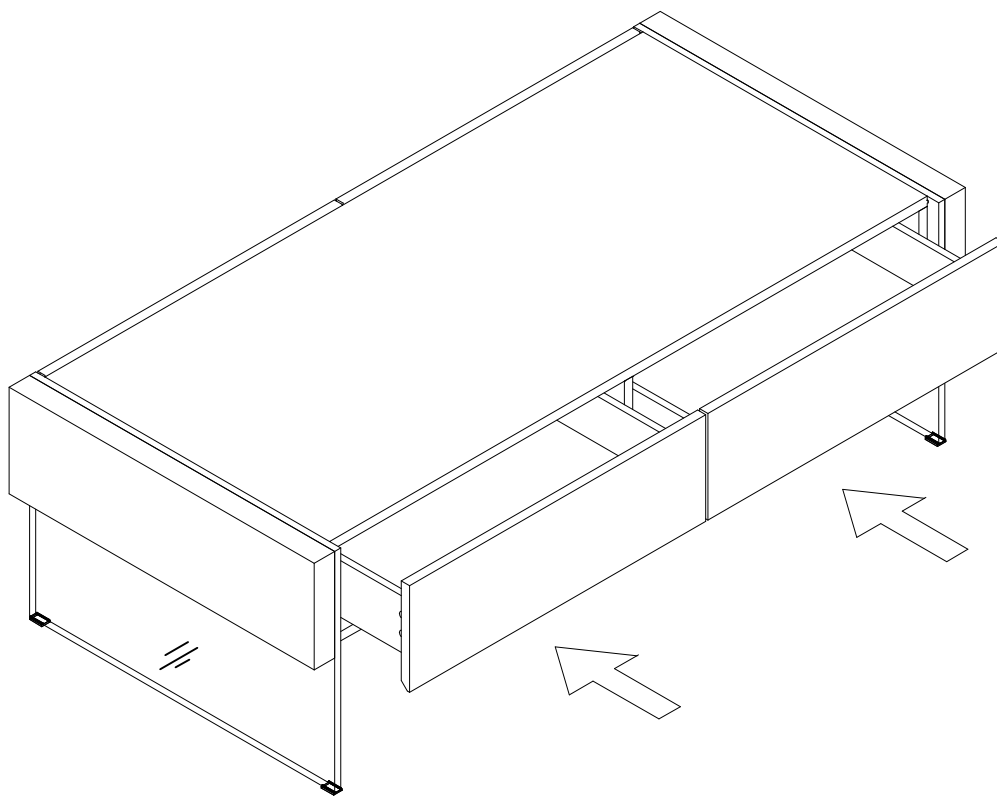


FIG.
4

