

Belloch

Lagranja Design. 2009

Chairs, armchairs, sofas and poufs



SANTA & COLE



Indoor



Outdoor

CE

Stemming from Santa & Cole's commissioning of a multipurpose chair for our offices in Belloch (Barcelona) – to be used indoors and outdoors – the Belloch chair was the first to come up with the idea of combining plastic materials for the backrest and seat (with a drainage point) with gracious legs made from wood or aluminium. The result is stylistically reminiscent of the taste of Charles and Ray Eames, though it is wholly contemporary in recyclability and use.

The pleasant clarity of its light, stackable design, the fusion of colours and legs, its affordable cost and its remarkable comfort are the reasons why the Belloch chair invites people to use it for hours on end in all kinds of public or private settings all over the world, and at our own headquarters as well, of course.

General description:

Polypropylene (PP) + glass fiber seat and back.

For indoor: 6 different finishes: white, grey, black, brown, green or red. Natural beech wood legs.

For outdoor: 2 different finishes: white or grey. Matte anodized aluminium legs.

Stackable.

Approximate weight (unpacked):

4 kg / 8.8 lb

Regulations:

CE

UNE-EN 581-1

UNE-EN 581-2

UNE-EN 1728

UNE-EN 1022

Internacional Regulations

ANSI-BIFMA x 5.1 for chairs type III

Maintenance:

For proper care of the chair simply wipe it with a damp, soapy cloth. It is advised not to use any ammonia, solvent or abrasive products.

Others:

Suitable for indoor use (wooden legs) and outdoor use (aluminium legs).

Stackable, recommended up to four chairs.

Chairs are delivered by unit or by groupage.

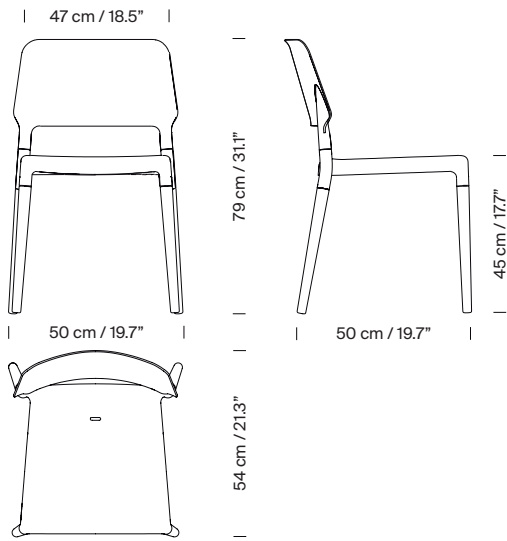
The assembly instructions are delivered with the product.

Belloch

Lagranja Design. 2009

Chairs, armchairs, sofas and poufs

Model: sizes in cm



Collection:

Chairs

Tables



Belloch



Belloch