

Juliet

SOFA & ARMCHAIR

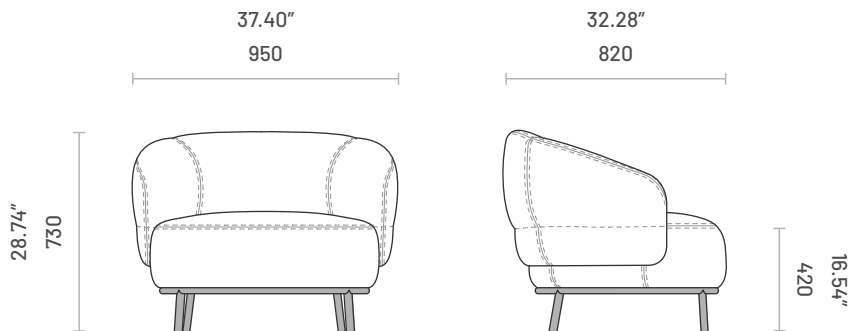
Inspired by a concept of elegance, comfort, and intimacy, Juliet sofa is a rounded piece supported by four steel legs and tubing. Characterized by soft curves and balanced proportions, the backrest extends to the sides creating subtle and elegant armrests. The highlight of this piece is represented by the carefully upholstered slopes, emphasized by horizontal bands of haute-couture stitching. A welcoming sofa with endless comfort and elevated when displayed in wine color leather.

Perfect for contemporary projects.

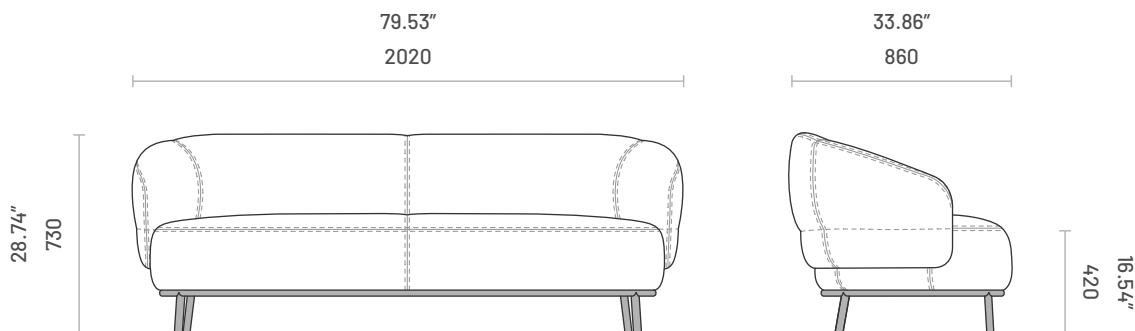


Specifications

Dimensions (Armchair)



Dimensions (Sofa)



Technical Information

Frame

Structure: Solid pine wood, plywood and MDF
 Feet: Steel or Stainless Steel

Padding

Seat: 18kg/m³, 23kg/m³, 30kg/m³, 40kg/m³ polyurethane foam and 200gr polyester fiber
 Backrest: 30kg/m³, 35kg/m³, 60kg/m³ polyurethane foam and 200gr polyester fiber

Materials and Finishes





Overview



Available Finishes

	1	2
Fabrics		
Aldan	●	—
Arno	●	—
Astoria	●	—
Avalon	●	—
Bergen	●	—
Brampton	●	—
Clarence	●	—
Columbia	●	—
Devon	●	—
Galway	●	—
Helmand	●	—
Hudson	●	—
Osaka	●	—
Provence	●	—
Synthetic Leathers		
Rupert	●	—
Natural Leathers		
Albany	—	—
Aspen	●	—
Dover	●	—
Metals		
White Texturized	—	●
Black Texturized	—	●
Silver Polished	—	●
Gold Polished	—	●
Gold Brushed	—	●
Rose Gold Matte	—	●
Onyx Polished	—	●
Smoky Black Polished	—	●

COM Fabric and Leather Requirements

Item	1	
Juliet - Armchair	Fabric  3.50 lm 11.48 ft	Leather  7.00 m2 75.60 ft2
Juliet - Sofa	Fabric  5.50 lm 18.04 ft	Leather  11.00 m2 118.80 ft2