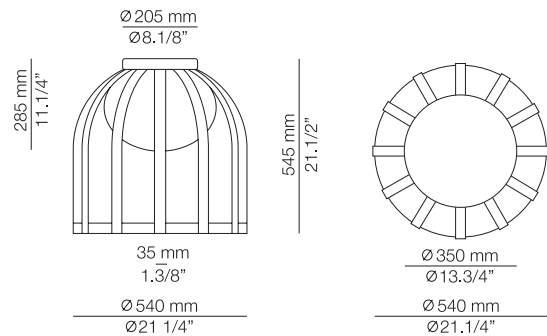


t-4022X

493040221

Aluminium ceiling light with polyethylene shade and integral dimmable LED. Suitable for indoor and outdoor use. Double-layer coating for high resistance to corrosion and other maritime environmental conditions

Plafón de aluminio con pantalla de polietileno y LED regulable integrado. Apto para interior y exterior. Recubrimiento de doble capa para alta resistencia a la corrosión y otras condiciones ambientales y marítimas.



Warning

PRODUCT IS TO BE INSTALLED BY A QUALIFIED ELECTRICIAN ONLY.
LE PRODUIT DOIT ÊTRE INSTALLÉ PAR UN ÉLECTRICIEN QUALIFIÉ UNIQUEMENT.
EL PRODUCTO DEBE SER INSTALADO SOLO POR UN ELECTRICISTA CUALIFICADO.

The light source of this luminaire is not replaceable. Once the light source's lifecycle ends, you must contact the manufacturer for repairs.

The flexible outer cable of this luminaire cannot be replaced; in the event of damage, the luminaire must be dismantled or sent to the factory for repair. (CE only: 230V / P.F Tendsto 1)

WE RECOMMEND READING THE INSTRUCTIONS ENTIRELY BEFORE STARTING YOUR INSTALLATION
PLEASE SAVE THESE INSTRUCTIONS SO THAT YOU CAN REFER TO THEM AT A LATER TIME

- * Do not look directly into any LED source.
- * Make sure the power has been disconnected before installing the fixture.
- * Lighting fixtures should be installed only by qualified personnel.
- * Assure yourself that the bulb never exceeds the maximum wattage specified on the label.
- * For indoor and outdoor use.
- * Do not use alcohol or solvents to clean the lamp.
- * For your convenience, assembly by two people is recommended.

La fuente de luz de esta luminaria no es reemplazable. Cuando la fuente de luz alcance el final de su vida, debe ponerse en contacto con el fabricante para su reparación. El cable flexible exterior de esta luminaria no puede sustituirse; en el caso de que esté dañado, la luminaria debe ser destruida o enviada a fábrica para su reparación. (Solo CE: 230V / F.P Tienda a 1)

LE RECOMENDAMOS LEA LAS INSTRUCCIONES ANTES DE PROCEDER A LA INSTALACIÓN
GUARDE LAS INSTRUCCIONES PARA FUTURAS REFERENCIAS

- * No mirar directamente a los LED.
- * Asegúrese de que la corriente está desconectada antes de conectar el aparato.
- * El montaje de luminarias debe ser efectuado solamente por personal técnico.
- * No utilizar bombillas con potencia superior a la indicada en la etiqueta.
- * Para uso en interiores y exteriores.
- * Para limpieza no utilizar alcohol ni disolventes.
- * Recomendamos la intervención de 2 personas para el montaje de la lámpara.



UL 1598 ELECTRICAL INSTRUCTIONS FOR FLUSHMOUNTS, WALL SCONCES AND PENDANTS

SAVE THESE INSTRUCTIONS. MIN 90C SUPPLY CONDUCTORS. CAUTION-RISK OF FIRE. USE STATED WATT OR SMALLER. CAUTION-RISK OF SHOCK. DISCONNECT POWER BEFORE SERVICING. TO REDUCE THE RISK OF A BURN DURING RELAMPING, ALLOW THE BULB TO COOL DOWN. SUITABLE FOR WET LOCATION. THIS PRODUCT MUST BE INSTALLED IN ACCORDANCE WITH THE APPLICABLE INSTALLATION CODE BY A PERSON FAMILIAR WITH THE CONSTRUCTION AND OPERATION OF THE PRODUCT AND THE HAZARD INVOLVED.

WARNING: ALL WIRES AND WIRE NUTS USED IN THE INSTALLATION MUST BE RATED 195F (90°C). FOR INDOOR USE ONLY. THESE PRODUCT MUST BE INSTALLED BY A QUALIFIED ELECTRICIAN.

Assembly instructions / Instrucciones

- 1 - Unscrew the screws [A] to release the product [B] from the mounting bracket [C].
Figure 1.

- 1 - Desenroscar los tornillos [A] para liberar la lámpara [B] de la sujeción [C].
Figura 1.

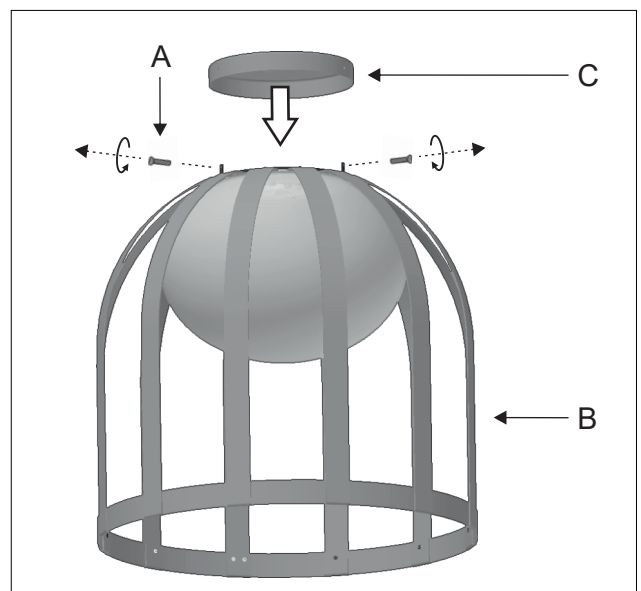


Figure 1

2A - WITHOUT JUNCTION BOX (INTERNATIONAL)

Insert the power cables through the central hole of the mounting bracket (C) and fix it to the ceiling.
Make the electrical connections within the supplied powerstrip (D) in order to ensure water tightness.
Figure 2A.

2A - SIN CAJA DE CONEXIONES (INTERNACIONAL)

Introducir los cables de la red por el agujero central de la sujeción (C) y fijarla al techo.
Realizar las conexiones eléctricas dentro de la regleta suministrada (D) para asegurar la estanqueidad.
Figura 2A.

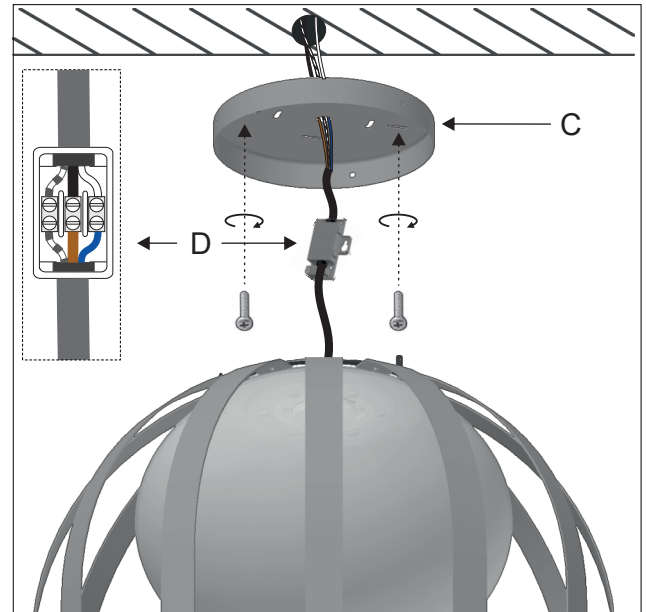


Figure 2A

2B - WITH JUNCTION BOX (USA)

Insert the electrical wires through the central hole of the mounting bracket (C) and make the connections within the junction box. Attach the mounting bracket to the junction box.
Figure 2B.

2B - CON CAJA DE CONEXIONES (USA)

Pasar los cables de eléctricos por el agujero central de la sujeción (C) y realizar las conexiones dentro de la caja de conexiones. Fijar la sujeción a la caja de conexiones.
Figura 2B.

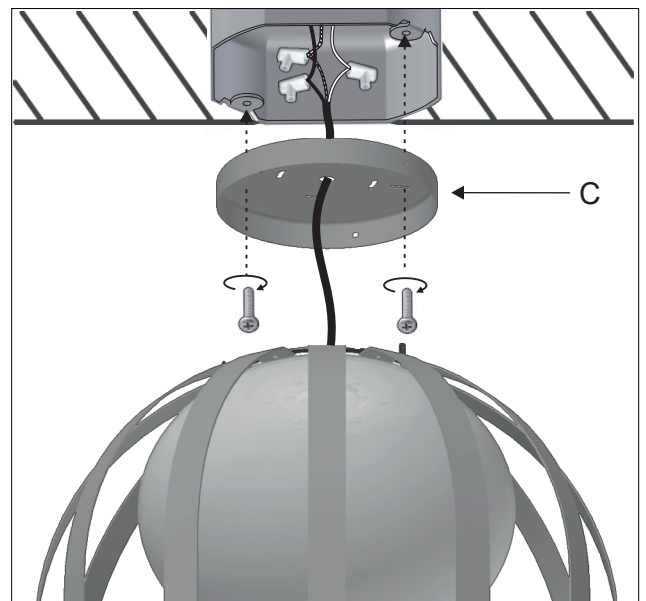


Figure 2B

3 - Screw back the screws (A) to fix the product (B) to the mounting bracket (C).
Figure 3.

3 - Roscar de nuevo los tornillos (A) para fijar la lámpara (B) a la sujeción (C).
Figura 3.

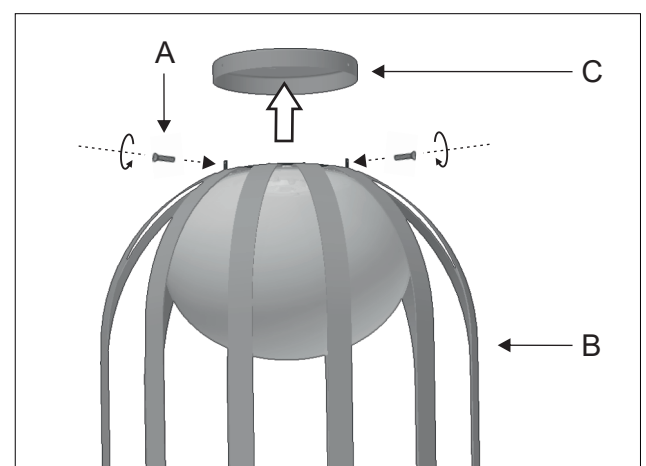


Figure 3