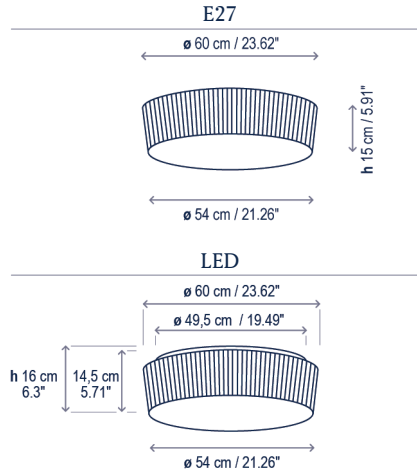


# Plafonet 60

Diseño / Design:  
Joana Bover / 2005

Tipología: Plafón  
Typology: Ceiling lamp

Ambiente: Interior  
Environment: Indoor



## Descripción técnica / Technical description:

Peso Neto: 4,44 kg  
Net Weight: 4,44 kg

1 Caja/Box | 61 x 61 x 40 cm | 0,1488 m<sup>3</sup>  
Peso bruto / Gross Weight: 6,81 kg

Materiales: Hierro, Latón  
Materials: Iron, Brass

Opciones Dali/1-10V: consultar  
Dali/1-10V options: consult

Difusor: Cristal óptico  
Diffuser: Optical Glass

Caja soporte: ø 43 cm  
Surface back box: ø 16.93"

Hilo incandescente pantalla / Shade GWF1

Cinta / Ribbon: 960°  
Cotonet / Cotton: 800°

Personalizable  
Customizable

\*Bombillas no incluidas (E-27 P45)  
\*Bulbs not included (E-27 P45)

Regulable sólo si se utilizan bombillas regulables. /Dimmable only if dimmable bulbs are used.

Certificaciones  
Certifications

Recambios / Spare parts:

R02249 Cristal óptico / Optical Glass

## Descripción lámpara / Lamps description:

230V 50Hz | IP-20 | 4 x MAX 9W LED E-27 P45

Ref	Acabados / Finishing	Ean13
0224905T	Cromo - Pantalla Cotonet Blanco Chrome - White Cotton Shade	8436047304405
0224905B	Cromo - Pantalla Cinta Translúcida Blanca Chrome - White Translucent Ribbon Shade	8436047304382
0224905C	Cromo - Pantalla Cinta Translúcida Crema Chrome - Cream Translucent Ribbon Shade	8436047304368

## Descripción lámpara / Lamps description:

230V 50Hz | IP-20 | TRIAC 39 W LED / CRI: 90 / 2700K 5400 lm fuente de luz / light source

Ref	Acabados / Finishing	Ean13
24902105191	LED Regulable TRIAC Cromo - Pantalla Cotonet Blanco LED TRIAC Dimmable Chrome - White Cotton Shade	8435493713885
24902105189	LED Regulable TRIAC Cromo - Pantalla Cinta Translúcida Blanca LED TRIAC Dimmable Chrome - White Translucent Ribbon Shade	8435493713786
24902105190	LED Regulable TRIAC Cromo - Pantalla Cinta Translúcida Crema LED TRIAC Dimmable Chrome - Cream Translucent Ribbon Shade	8435493713830

**bover**  
barcelona lights

Avda. Catalunya 173  
Poligon Ind. Sud  
08440 Cardedeu  
Barcelona, Spain

T. +34 938 713 152  
F. +34 938 462 089  
info@bover.es  
www.bover.es

Familia / Family: Plafonet

