

**ELEA** ● TABLE LAMP  
REF. 3048.1

**WEIGHT**

Net Weight: 9kg | 41.8 lbs  
Gross Weight: 15kg | 33 lbs

**BULBS**

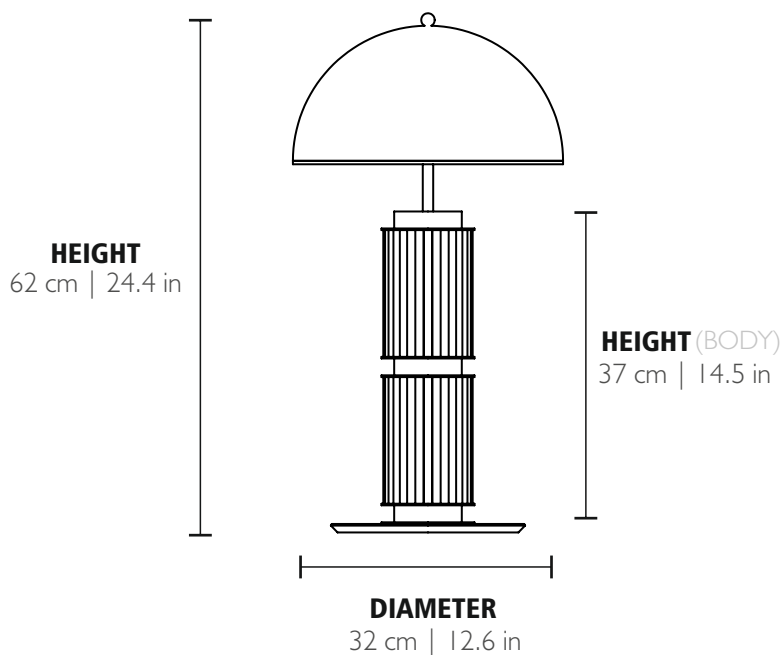
Quantity: 3  
Type: G9  
Wattage: 40W (max)

**MATERIALS**

Body: Brass  
Lampshare: Aluminum

**PACKING** (approx.)

Dimensions: 70 x 38 x 38 cm  
27.5 x 14.9 x 14.9 in  
Volume: 0.13 m<sup>3</sup> | 4.69 ft<sup>3</sup>



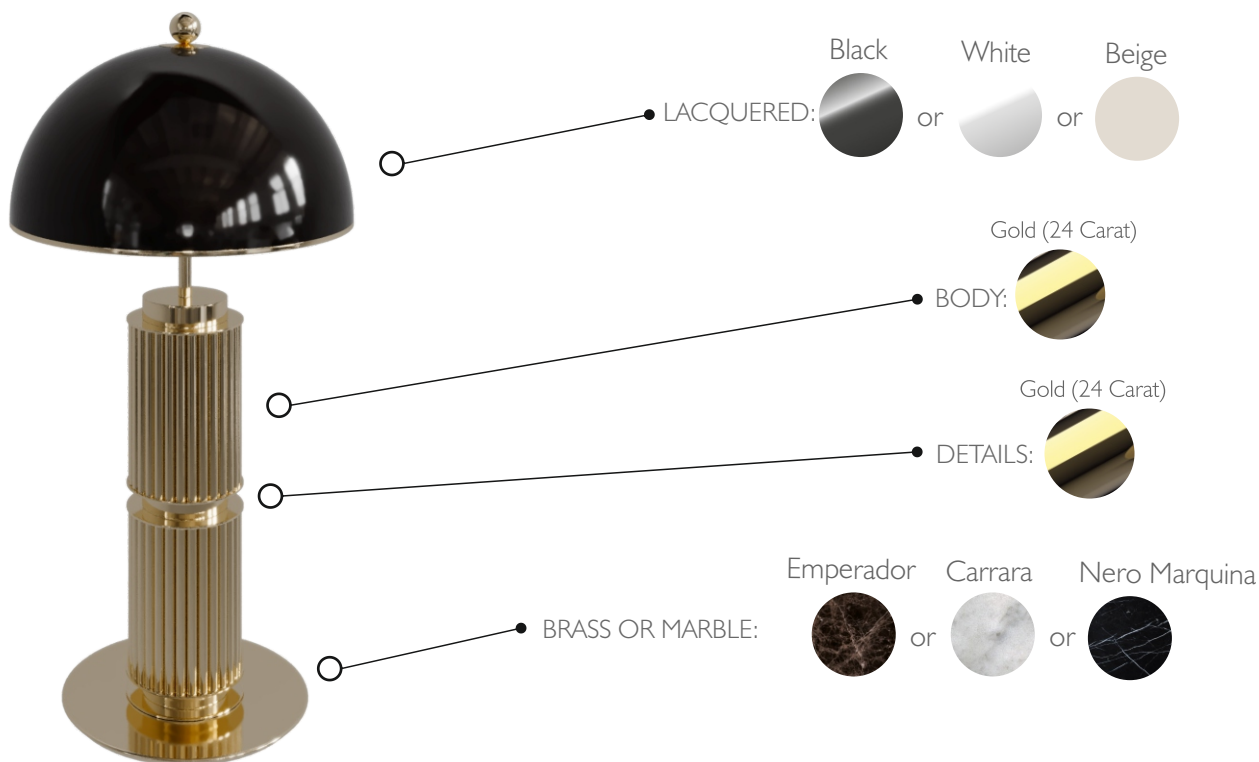
☐ - Products manufactured according the European norm of security EN 60 598-1.

⚠ - Products adjusted for installation in surfaces normally inflammable.

☐ - Products of class II. The electric isolation is double or reinforced.

⚡ - Products with the possibility of instalation of low-energy consumption bulbs.

PRODUCT FINISHES & COSTUMIZATION OPTIONS



MORE FINISHES AVAILABLE HERE:

[CLICK HERE](#) 