

outdoor

Atrivm outdoor

Rectangular dining table with solid wood legs / mesa rectangular con patas de madera

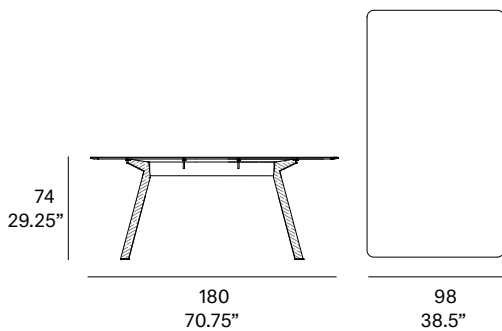
Manel Molina 2019/2022

C224 W



Rectangular dining table with structure made of high resistance aluminum profile. Legs made of sapele wood. Tabletop options: HPL Trespa® 13 mm/0.51" thick, FENIX NTM® 12 mm/0.47" thick and Dekton® 8 mm/0.31" thick. Delivered unassembled.

Mesa rectangular con estructura en perfilera de aluminio de alta resistencia. Patas de madera de sapele. Opciones de tablero: HPL Trespa® de 13mm, FENIX NTM® de 12 mm y Dekton® de 8 mm. Se sirven desmontadas.



Shipment details

Qty 1 dining table (2 boxes)

Volume 0,51 m³ / 18 ft³

HPL /FENIX Top option

Gross weight 72 kg / 158.5 lb

Net weight 42 kg / 92.5 lb

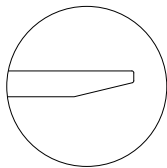
Dekton Top option

Gross weight 87 kg / 192 lb

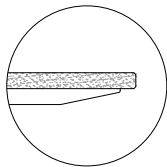
Net weight 58 kg / 128 lb

Item dimensions (width x depth x height) 180 x 98 x 74 cm
70.75" x 38.5" x 29.25"

Tabletop options:



- HPL Trespa® 13 mm/0.51" thick.
- FENIX NTM® 12 mm/0.47" thick.



- Dekton® 8 mm/0.31" +
HPL Trespa® 8 mm/0.31" thick.

expormim

Expormim S.A.
Pol. Ind. Jaime I
46640 Moixent (Valencia) Spain
+34 962 295 144/5
export@expormim.com
www.expormim.com

Expormim USA LLC
(212) 204-8572
usa@expormim.com
www.expormim.com

1/3

outdoor

frame / estructura

solid wood / madera maciza



WS oiled sapele wood

outdoor

top / tapa

HPL Trespa® - premium



320 silver quartzite - matt



323 natural chalkstone - matt



327 titanium bronze - satin



321 italian slate - matt

FENIX NTM®



029 bianco male



720 nero ingo

Dekton® - kraftizen



K1 albarium



K2 argentium



K3 umber



K4 micron

Dekton® - natural



D3 danae



D2 kelya

expormim

Expormim S.A.
Pol. Ind. Jaime I
46640 Moixent (Valencia) Spain
+34 962 295 144/5
export@expormim.com
www.expormim.com

Expormim USA LLC
(212) 204-8572
usa@expormim.com
www.expormim.com

3/3