



Продажа дизайнерской мебели,
света и аксессуаров
по всей России

8 (800) 500-70-36
hello@barcelonadesign.ru
www.barcelonadesign.ru

Originally designed to lighten the original offices of Barcelona's Fostering Arts and Design Association (FAD), a reference centre for design and architecture in Spain. A solid wooden structure, with a cross shaped section and a white linen shape, combines solidity and void, gravity and elegance. .

GENERAL CHARACTERISTICS

- (1.) FAD tabel lamp
- (2.) FAD floor lamp

Natural oak wood structure.
White linen lampshade.

LIGHT SOURCE:

Bulbholder: E27 / E26 (Max. hgt. 130 mm / 5.1").

Recommended light sources:

LED bulb: 17W
Compact fluorescent: 20W
Incandescent: Max. 100W.

Input Voltage: 90 ~ 264 VAC 50Hz/ 60Hz

Light source not included.
Dimmer included.
UL certification does not cover LED bulbs
Lamps only suitable for indoor use.
Always use the light source recommended or equivalent.

APPROXIMATE WEIGHT (unpacked)

- (1.) 2.7 kg / 6 lb
- (2.) 3 kg / 6.6 lb

REGULATIONS

CE



No Class 2
Dry location only

IP 20

UNE-EN 60598
UNE-EN 55015
UNE-EN 60529

UL 1598
E-352592

MAINTENANCE

Clean with a smooth cloth. It is advised not to use any ammonia, solvent or abrasive products.

OTHERS

The luminaries are delivered in diferent packets.

The assembly instructions are delivered with the product.

- (1.) Height adjustable lampshade.



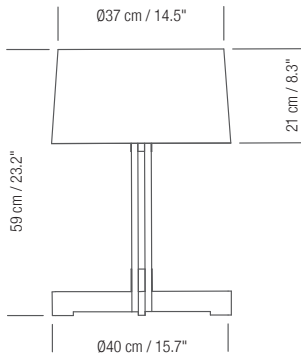
(1., 2.) FAD table and floor lamp



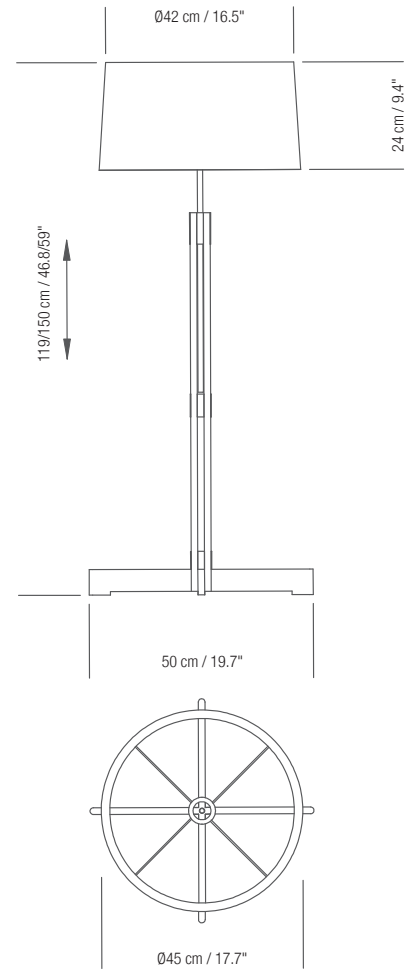
(1.) FAD table lamp



(2.) FAD table lamp



(1.) FAD table lamp



(2.) FAD floor lamp