

Faz chair

by Ramón Esteve

Vondom's Faz collection, designed by Ramón Esteve, is one of the firm's most iconic collections. It stands out for its modular design and sophistication, representing harmony, serenity and timelessness through mineral and emphatic shapes. Faz transforms environments with its unique combination of material and light, creating an enveloping and exclusive atmosphere.

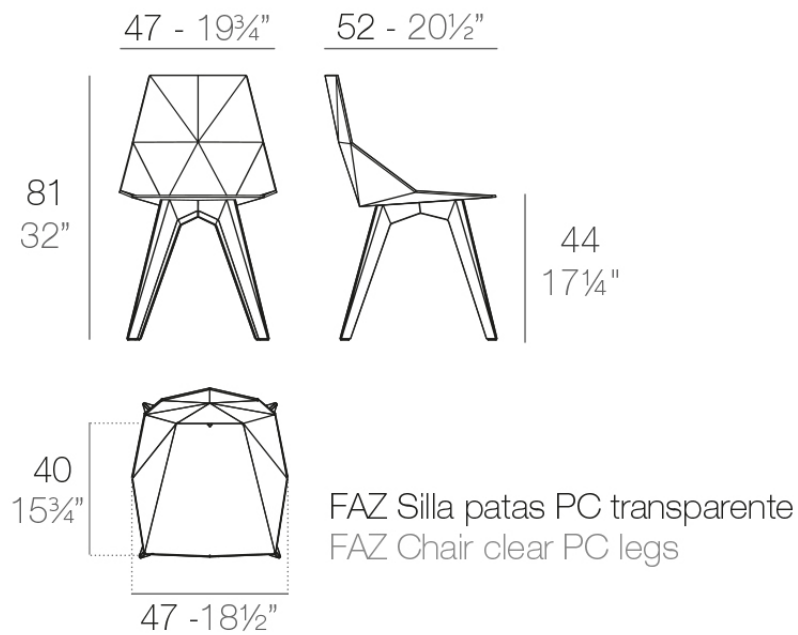


Info

Description

One piece moulded seat and back polypropylene chair, with clear polycarbonate legs. Item suitable for indoor and outdoor use.

Weight: 3.81 Kg



Finishes

finishes

BASIC PP
Ref. 54062



white



ecu



black

Available in various colors

Ambients

