

LOTUS • PENDANT

REF. 5917.40

WEIGHT

Net Weight: 16.5kg | 36.4 lbs
 Gross Weight: 20.7kg | 45.6 lbs

BULBS

Quantity: 6
 Type: G9
 Wattage: 40W (max)

MATERIALS

Body: Brass
 Details: Glass

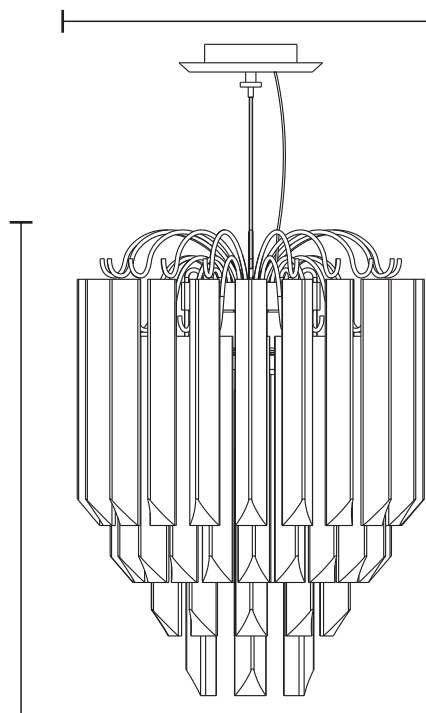
GLASS

Type: Clear

PACKING (approx.)

Dimensions: 55 x 54 x 64 cm
 21.7 x 21.3 x 25.2 in
 Volume: 0.19 m³ | 6.71 ft³

DIAMETER
 40 cm | 15.7 in



HEIGHT
 60 cm | 23.6 in

- CE - Products manufactured according the European norm of security EN 60 598-1.
- F - Products adjusted for instalation in surfaces normally inflammable.
- - Products of class II. The electric isolation is double or reinforced.
- ES - Products with the possibility of instalation of low-energy consumption bulbs.

PRODUCT FINISHES & COSTUMIZATION OPTIONS



MORE FINISHES AVAILABLE HERE:
[CLICK HERE](#) 