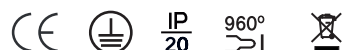


A-3740S / A-3740AS / A-3740A1S

493037403

Metallic surface wall light providing direct and indirect light. The same model can be installed as a wall light or as a ceiling light. The wall light can be assembled with three different glass shades depending the model.

Aplique metálico de superficie con luz directa e indirecta. El mismo modelo se puede instalar como luz de pared (applique) o como luz de techo (plafón). La lámpara se puede montar con tres pantallas de cristal diferentes según el modelo.



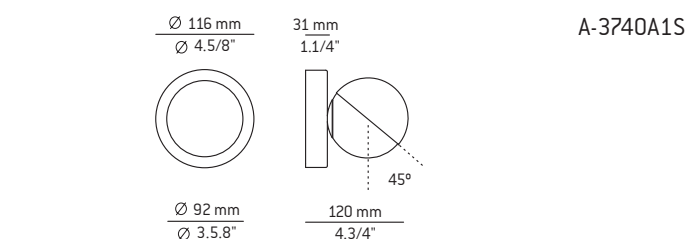
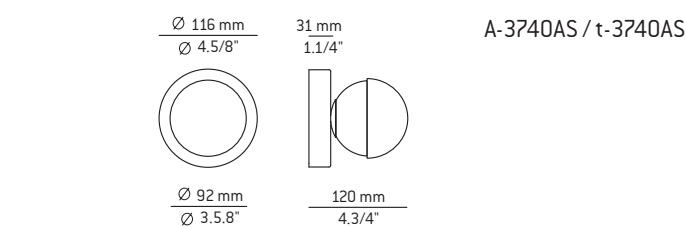
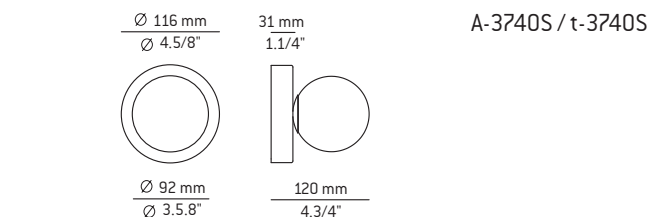
Warning / Atención

PRODUCT IS TO BE INSTALLED BY A QUALIFIED ELECTRICIAN ONLY
LE PRODUIT DOIT ÊTRE INSTALLÉ PAR UN ÉLECTRICIEN QUALIFIÉ UNIQUEMENT
EL PRODUCTO DEBE SER INSTALADO SOLO POR UN ELECTRICISTA CUALIFICADO

The light source of this luminaire is not replaceable. Once the light source's lifecycle ends, you may contact the manufacturer.
230V / P.F Tends to 1

WE RECOMMEND READING THE INSTRUCTIONS ENTIRELY BEFORE STARTING YOUR INSTALLATION
PLEASE SAVE THESE INSTRUCTIONS SO THAT YOU CAN REFER TO THEM A LATER TIME

- * Make sure the power has been disconnected before installing the fixture.
- * For indoor use only.
- * Do not use alcohol or solvents to clean the lamp.
- * For your convenience, assembly by two people is recommended.



La fuente de luz de esta luminaria no es reemplazable. Cuando la fuente de luz alcance el final de su vida, debe ponerse en contacto con el fabricante para su reparación. 230V / F.P Tiende a 1

LE RECOMENDAMOS LEA LAS INSTRUCCIONES ANTES DE PROCEDER A LA INSTALACIÓN
GUARDE LAS INSTRUCCIONES PARA FUTURAS REFERENCIAS

- * Asegúrese de que la corriente está desconectada antes de conectar el aparato.
- * Únicamente para uso en interiores.
- * Para limpieza no utilizar alcohol ni disolventes
- * Recomendamos la intervención de 2 personas para el montaje de la lámpara.



UL 1598 ELECTRICAL INSTRUCTIONS FOR FLUSHMOUNTS, WALL SCONCES AND PENDANTS

SAVE THESE INSTRUCTIONS. MIN 90C SUPPLY CONDUCTORS. CAUTION-RISK OF FIRE. USE STATED WATT OR SMALLER. CAUTION-RISK OF SHOCK. DISCONNECT POWER BEFORE SERVICING. TO REDUCE THE RISK OF A BURN DURING RELAMPING, ALLOW THE BULB TO COOL DOWN. SUITABLE FOR DAMP LOCATION. THIS PRODUCT MUST BE INSTALLED IN ACCORDANCE WITH THE APPLICABLE INSTALLATION CODE BY A PERSON FAMILIAR WITH THE CONSTRUCTION AND OPERATION OF THE PRODUCT AND THE HAZARD INVOLVED.

WARNING: ALL WIRES AND WIRE NUTS USED IN THE INSTALLATION MUST BE RATED 195F (90°C). FOR INDOOR USE ONLY. THESE PRODUCT MUST BE INSTALLED BY A QUALIFIED ELECTRICIAN.

Assembly instructions / Instrucciones

- 1 - Unscrew the side screw (A) to remove the mounting bracket (B) from the canopy (C).
Figure 1.

- 1 - Desenroscar el espárrago lateral (A) para liberar la sujeción (B) del florón (C).
Figura 1.

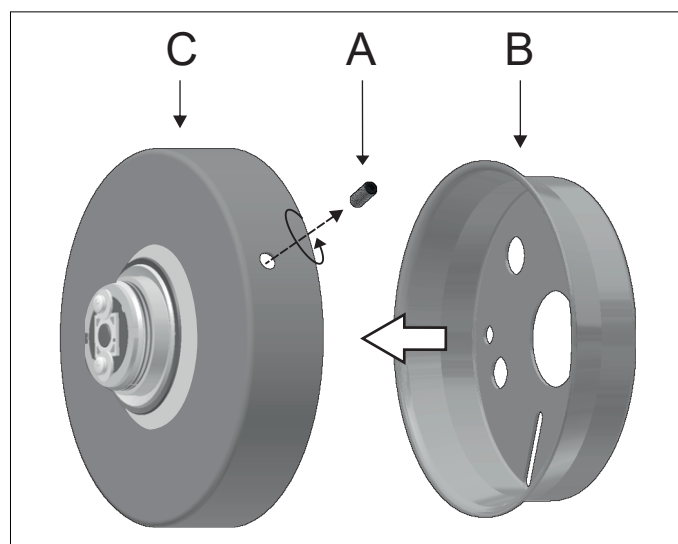


Figure 1

2A - **WORLDWIDE except USA and CANADA**

Fix the mounting bracket [B] to the wall and make the electrical connections using the driver supplied [D].

Attention: Respect the polarity (+ +) (- -) and make sure the red wire is connected to the red wire. Figure 2A.

2A - **INTERNACIONAL excepto USA y CANADA**

Fijar la sujeción [B] a la pared y realizar las conexiones eléctricas utilizando el driver suministrado [D].

Atención: Respetar siempre la polaridad (+ +) (- -) y asegurarse que el cable rojo está conectado al cable rojo. Figura 2A.

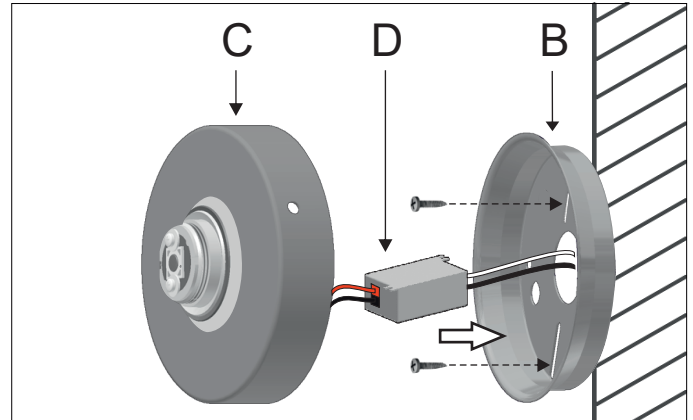


Figure 2A

2B - **ONLY for USA y CANADA**

Fix the mounting bracket [B] to the wall and make the electrical connections within the junction box [E] using the driver supplied [D].

Attention: Respect the polarity (+ +) (- -) and make sure the red wire is connected to the red wire. Figure 2B.

2B - **SOLAMENTE para USA y CANADA**

Fijar la sujeción [B] a la pared y realizar las conexiones eléctricas dentro de la caja de conexiones [E] utilizando el driver suministrado [D].

Atención: Respetar siempre la polaridad (+ +) (- -) y asegurarse que el cable rojo está conectado al cable rojo. Figura 2B.

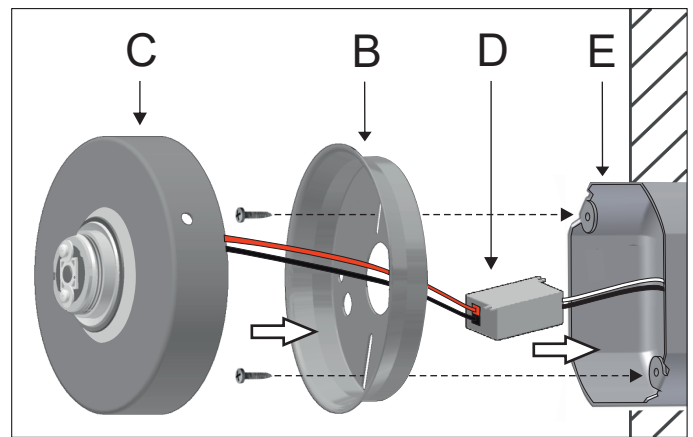


Figure 2B

3 - Fit the canopy [C] the to the mounting bracket [B] and screw the side screw [A] to fix it.

Thread the glass shade [F] to the canopy [C].
Figure 3.

3 - Encajar el florón [C] a la sujeción [B] y rosar el espárrago lateral [A] para fijarlo. Roscar la pantalla de cristal [F] al florón [C].

Figura 3.

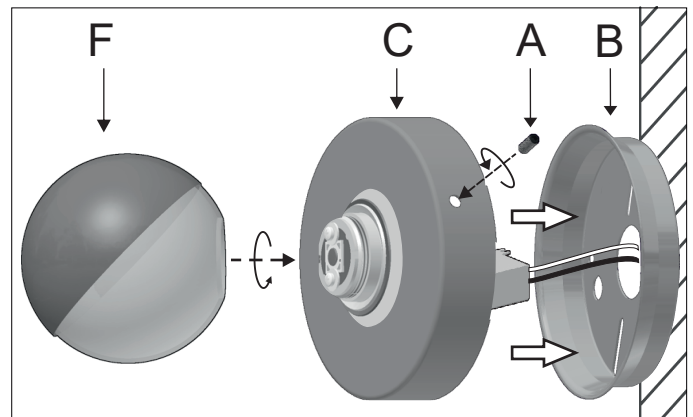


Figure 3

4 - **Only for reference A-3740A1, shade with cover at 45°:**

Loosen the side screw [A] and rotate the canopy [C] to place the shade [F] in the desired position. Thread back the side screw [A] to fix the lamp. Figure 4.

4 - **Solo para modelo A-3740A1, pantalla con cubierta a 45°:**

Aflojar el espárrago lateral [A] y girar el canopy [C] para dejar la pantalla [F] en la posición deseada. Volver a rosar el espárrago [A] para fijar la lámpara. Figura 4.

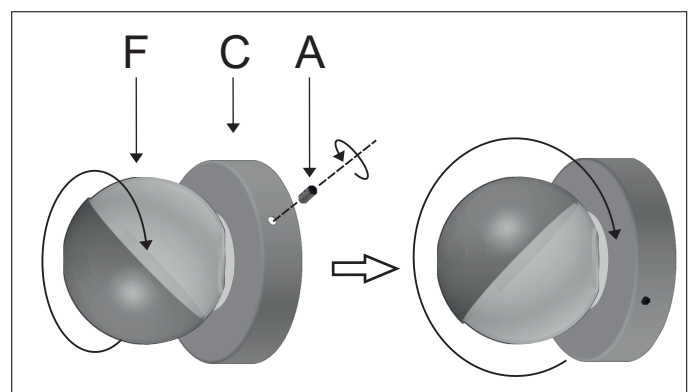


Figure 4