

**viccarbe**

# Maarten Lounge Chair

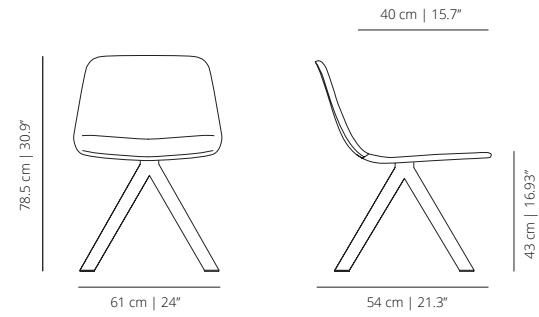
---

Designed by Victor Carrasco

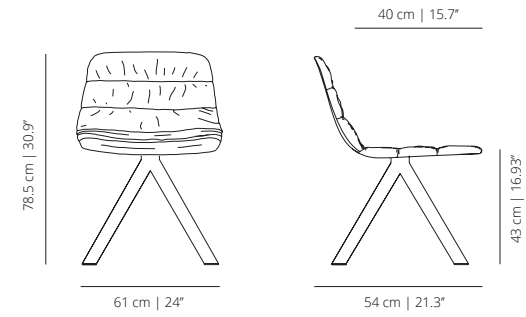
Technical info - EN

SWIVEL BASE

**MAALBU**  
smooth upholstery

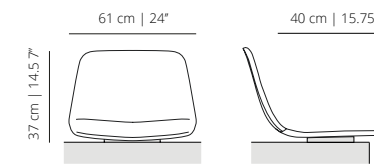


**MAABU**  
soft upholstery

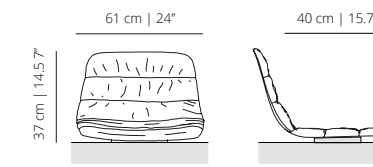


ACCESSORIES

**MAALBUAU**  
auditorium base smooth upholstery

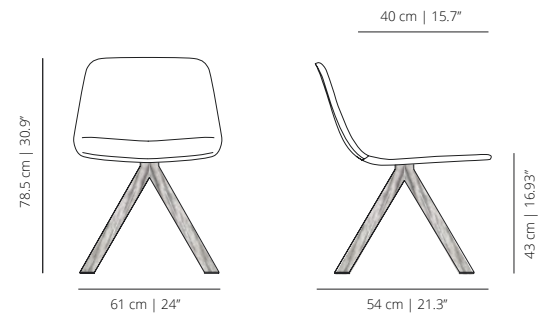


**MAABUAU**  
auditorium base soft upholstery

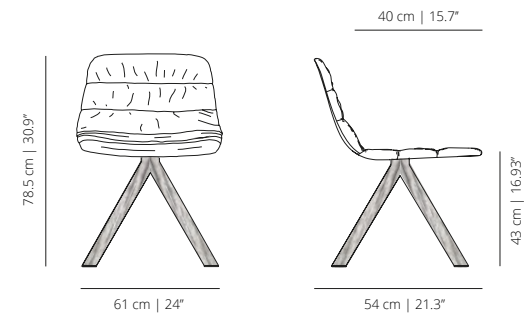


SWIVEL WOODEN BASE

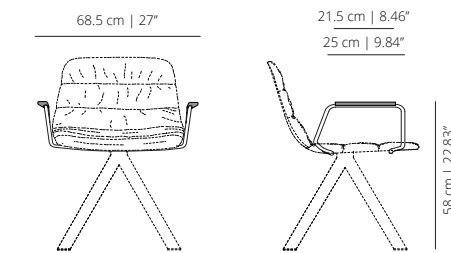
**MAALBUM**  
smooth upholstery



**MAABUM**  
soft upholstery



**MAABUB**  
arms



## FINISHES

---

### SEAT OPTIONS

---

**Smooth / soft upholstery** – Injected polypropylene seat covered by expanded polyurethane foam with a smooth or soft finish.



Smooth



Soft

Check [upholstery samples](#).

### STRUCTURE | ARMS

---

#### Powder coated



white  
RAL 9003



black  
RAL 9005

#### Stained Wood



bleached  
stained oak



matt  
stained oak



cognac  
stained oak



walnut  
stained oak



ash  
stained oak

## TECHNICAL INFO

---

**Smooth / soft upholstery** – Injected polypropylene seat covered by expanded polyurethane foam with a smooth or soft finish.

**Armrest** – Calibrated steel arms powder coated in thermoreinforced polyester with natural oak armrests stained with the finishes of our collection.

Base options:

**Swivel base** – Calibrated steel swivel structure powder coated in thermoreinforced polyester in white, black, taupe or fluorescent orange. Plastic glides with or without felt.

**Swivel wooden base** – Four solid oak wood legs stained with the finishes of our collection. Plastic glides with or without felt.

*NOTE: Arms available for all bases and seats except from the auditorium base.*

## CERTIFICATIONS

---

ANSI BIFMA X5.4-2012

## Let's talk

We want to help you find the best designs for your project. Contact us and our team will get back to you as soon as possible.

CONTACT US

