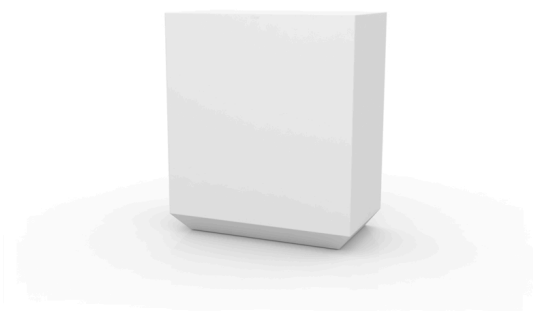


VELA SINGLE BAR

By Ramon Esteve



This extensive outdoor furniture and plantpot collection aims to offer the comfort and the quality of interior furniture without losing its original qualities. VELA is a modulate system with an elementary prismatic geometry that bases its singularity in the balance of its proportions. The elements can combine among themselves to integrate into any space. Their precise volumes create the illusion of hovering some centimetres off the floor, and when they are illuminated they are transformed into floating architectures.

View online: <https://www.vondom.com/products/54081>

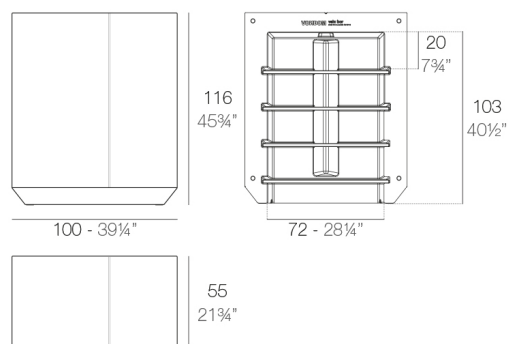
Features

Description

Made of polyethylene resin by rotational moulding. 100% Recyclable. Item suitable for indoor and outdoor use. Available in different finishes.

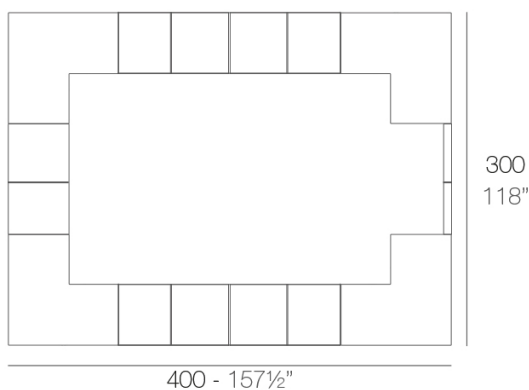
Weight

35 Kg

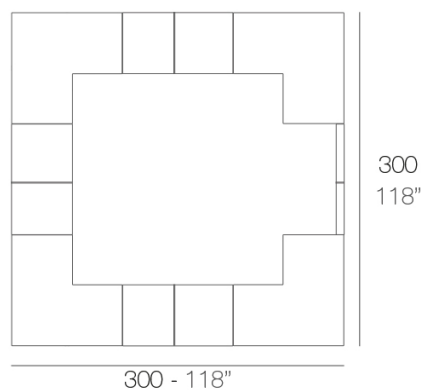


VELA Barra 100
VELA Single counter

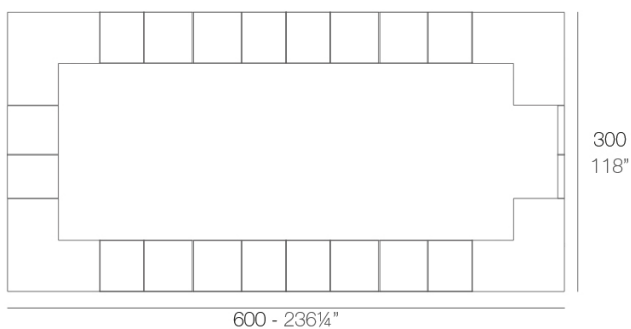
Combinations



- 2 x 54082** Barra - Double counter
- 1 x 54081** Barra 100 - Single counter
- 4 x 54083** Barra esquina - Corner counter
- 1 x 54084** Puerta barra (con bisagra) - Counter door (with hinge)



- 3 x 54081** Barra 100 - Single counter
- 4 x 54083** Barra esquina - Corner counter
- 1 x 54084** Puerta barra (con bisagra) - Counter door (with hinge)



- 4 x 54082** Barra - Double counter
- 1 x 54081** Barra 100 - Single counter
- 4 x 54083** Barra esquina - Corner counter
- 1 x 54084** Puerta barra (con bisagra) - Counter door (with hinge)

Finishes

BASIC

Ref. 54081

Matt Polyethylene

LACQUERED

Ref. 54081F

Lacquered Polyethylene

LIGHT

Ref. 54081W

White internally lit unit with LED technology. Available only in matte

RGBW LED DMX

Ref. 54081D

Unit with internal lighting with RGBW LED technology and remote control unit for switching colors. Also controlled by DMX-1024 (wireless), enabling communication between one or more products simultaneously via the DMX transmitter (not included).

RGBW LED BATTERY

Ref. 54081Y

Unit with internal lighting with battery-powered RGBW LED technology. Includes charger and remote control for switching colors and charger. Available only in matte ice white finish.

ice white finish.

RGBW LED

Ref. 54081L

Unit with internal lighting with RGBW LED technology and remote control unit for switching colors. Available only in matte ice white finish. Remote control included.

RGBW LED DMX BATTERY

Ref. 54081DY

Unit with internal lighting with RGBW LED technology and remote control unit for switching colors. Also controlled by DMX-1024 (wireless), enabling communication between one or more products simultaneously via the DMX transmitter (not included).

COLOR	BASIC	LACQUERED / LACADO	LUZ	RGBW LED DMX BATTERY
ICE	<input type="checkbox"/>	<input type="checkbox"/>	<input type="checkbox"/>	<input type="checkbox"/>
WHITE	<input type="checkbox"/>	<input type="checkbox"/>	<input type="checkbox"/>	<input type="checkbox"/>
BLACK	<input type="checkbox"/>	<input type="checkbox"/>	<input type="checkbox"/>	<input type="checkbox"/>
BRONZE	<input type="checkbox"/>	<input type="checkbox"/>	<input type="checkbox"/>	<input type="checkbox"/>
STEEL	<input type="checkbox"/>	<input type="checkbox"/>	<input type="checkbox"/>	<input type="checkbox"/>
ANTHRACITE	<input type="checkbox"/>	<input type="checkbox"/>	<input type="checkbox"/>	<input type="checkbox"/>
CHAMPANY	<input type="checkbox"/>	<input type="checkbox"/>	<input type="checkbox"/>	<input type="checkbox"/>
RED	<input type="checkbox"/>	<input type="checkbox"/>	<input type="checkbox"/>	<input type="checkbox"/>
PISTACHIO	<input type="checkbox"/>	<input type="checkbox"/>	<input type="checkbox"/>	<input type="checkbox"/>
ORANGE	<input type="checkbox"/>	<input type="checkbox"/>	<input type="checkbox"/>	<input type="checkbox"/>
KHAKI	<input type="checkbox"/>	<input type="checkbox"/>	<input type="checkbox"/>	<input type="checkbox"/>
NAVY	<input type="checkbox"/>	<input type="checkbox"/>	<input type="checkbox"/>	<input type="checkbox"/>
PLUM	<input type="checkbox"/>	<input type="checkbox"/>	<input type="checkbox"/>	<input type="checkbox"/>
TAUPE	<input type="checkbox"/>	<input type="checkbox"/>	<input type="checkbox"/>	<input type="checkbox"/>
ECRU	<input type="checkbox"/>	<input type="checkbox"/>	<input type="checkbox"/>	<input type="checkbox"/>
BEIGE	<input type="checkbox"/>	<input type="checkbox"/>	<input type="checkbox"/>	<input type="checkbox"/>

Optional

SHELVES

2-HPL Flat shelf set. Black or white edge.

STAINLESS STEEL

Stainless steel

PACK SOUND BLUETOOTH SYSTEM

Link your smartphone or tablet to the sound system via Bluetooth.

8-wheels set.

8-wheel set with lock

