

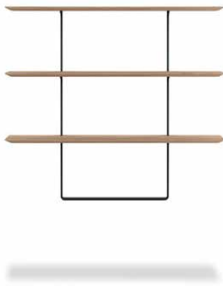
indoor

Team

Wall shelf / estantería pared

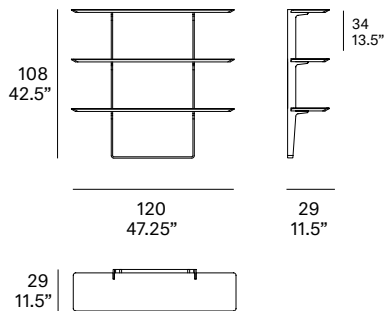
Mario Ruiz, 2015/2021

T854 120



Furniture system made of solid wood from European oaks and metallic frame. Shelf width: 47.25". The collection is also available in a lacquered version (MDF).

Sistema de mobiliario fabricado en madera maciza de roble europeo y estructura metálica. Ancho de estantería: 120 cm. La colección también está disponible en versión lacada (MDF).



Shipment details

Qty	1 shelf (3 boxes)
Volume	0,23 m ³ / 8 ft ³
Gross weight	36 kg / 79.5 lb
Net weight	31 kg / 68.5 lb
Item dimensions (width x depth x height)	120 x 29 x 108 cm 47.25" x 11.5" x 42.5"



expormim

Expormim S.A.
Pol. Ind. Jaime I
46640 Moixent (Valencia) Spain
+34 962 295 144/5
export@expormim.com
www.expormim.com

Expormim USA LLC
(212) 204-8572
usa@expormim.com
www.expormim.com

1/3

Shelves

solid wood



W01 natural oak



W03 light oak



W02 white stained



W05 dark stained

textured lacquers



LT24 linen



LT09 champagne



LT10 bronze

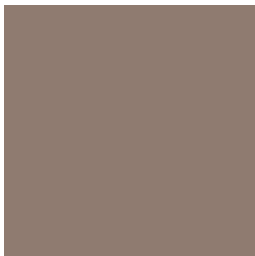


LT26 sable brown



LT11 graphite

lacquers



L5 taupe

indoor

Metallic structure

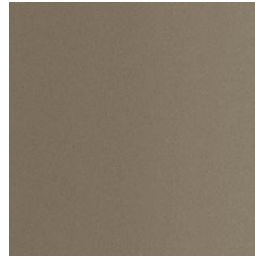
metallic finishes- fine textured



124 FT linen



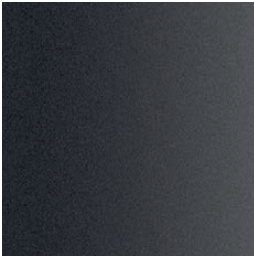
102 FT light grey



110 FT bronze



108 FT oxide



111 FT graphite