

FLOW T-3734S

surface suspension lamp

Date	Type
Project	
Location	
Model #	Quantity
Specifier	

Description

Suspension lamp with a smashed, tubular aluminium shade and acrylic (PMMA) lens diffuser.
Adjustable height.
Possibility to create different compositions (see page 7).



Pictures above might not show the specified dimensions or material. They are for illustration purposes only.

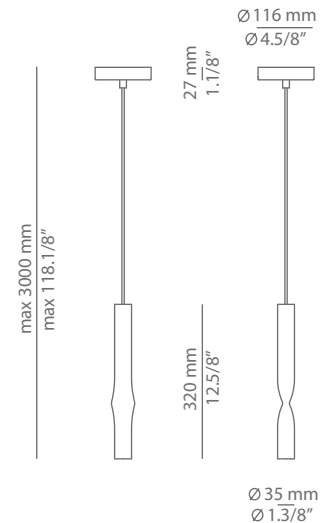


Ordering information

Code	Lamp	Finish canopy	Finish body
■ T-3734S	LED 6,2W (led included) (2700K / Ang 70° / >90 CRI / 350mA) 100V - 240V / Typ* 725 lumens Non Dimmable	■ 26 BLK Black ■ 71 WH White	■ 26 BLK Black ■ 61 S GLD Satin Gold ■ 74 WH White ■ CUSTOM

Product includes

Code	Description
113534XX0	1 surface canopy for 1 single pedant
T-3734C	1 Flow pendant
671000038	1 driver / Non dimmable



SPECIAL REQUIREMENTS

Custom versions

We offer custom plated or RAL finishes. Alternate lamping and sizes available for projects. Consult our offices.

Special instructions



ESTILUZ, S.A.
Carretera d'Ogassa, s/n
17860 Sant Joan de les Abadesses
T+34 972 720 125
F+34 972 720 796

estiluz@estiluz.com
www.estiluz.com

FLOW T-3734R

recessed suspension lamp

Date	Type
Project	
Location	
Model #	Quantity
Specifier	

Description

Suspension lamp with a smashed, tubular aluminium shade and acrylic (PMMA) lens diffuser.
Adjustable height.
Possibility to create different compositions (see page 7).
Recessed canopy and remote driver.
False ceiling for recessed canopy is required Ø 45mm drill.



Pictures above might not show the specified dimensions or material. They are for illustration purposes only.

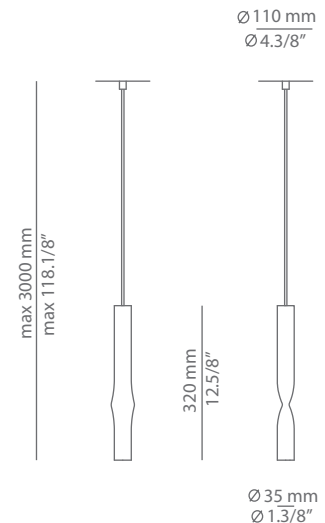


Ordering information

Code	Lamp	Finish canopy	Finish body
T-3734R	LED 6,2W (led included) (2700K / Ang 70° / >90 CRI / 350mA) 230V / Typ* 725 lumens Remote driver / Dimmable Triac	26 BLK Black 71 WH White	26 BLK Black 61 S GLD Satin Gold 74 WH White CUSTOM

Product includes

Code	Description
113534XX2	1 recessed canopy for 1 single pedant
T-3734C	1 Flow pendant
671000061	1 driver / Dimmable Triac



SPECIAL REQUIREMENTS

Custom versions

We offer custom plated or RAL finishes. Alternate lamping and sizes available for projects. Consult our offices.

Special instructions



ESTILUZ, S.A.
Carretera d'Ogassa, s/n
17860 Sant Joan de les Abadesses
T+34 972 720 125
F+34 972 720 796

estiluz@estiluz.com
www.estiluz.com

FLOW T-3735S

surface suspension lamp

Date	Type
Project	
Location	
Model #	Quantity
Specifier	

Description

Suspension lamp with a smashed, tubular aluminium shade and acrylic (PMMA) lens diffuser.
Adjustable height.
Possibility to create different compositions (see page 7).



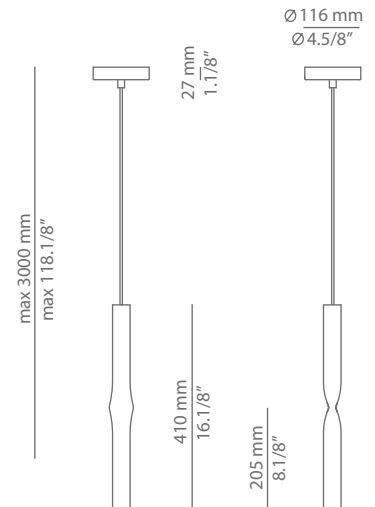
Pictures above might not show the specified dimensions or material. They are for illustration purposes only.

Ordering information

Code	Lamp	Finish canopy	Finish body
■ T-3735S	LED 6,2W (led included) (2700K / Ang 70° / >90 CRI / 350mA) 100V - 240V / Typ* 725 lumens Non Dimmable	■ 26 BLK Black ■ 71 WH White	■ 26 BLK Black ■ 61 S GLD Satin Gold ■ 74 WH White ■ CUSTOM

Product includes

Code	Description
113534XX0	1 surface canopy for 1 single pedant
T-3735C	1 Flow pendant
671000038	1 driver / Non dimmable



SPECIAL REQUIREMENTS

Custom versions

We offer custom plated or RAL finishes. Alternate lamping and sizes available for projects. Consult our offices.

Special instructions



ESTILUZ, S.A.
Carretera d'Ogassa, s/n
17860 Sant Joan de les Abadesses
T+34 972 720 125
F+34 972 720 796

estiluz@estiluz.com
www.estiluz.com

FLOW

T-3735R

recessed suspension lamp

Date	Type
Project	
Location	
Model #	Quantity
Specifier	










Description

Suspension lamp with a smashed, tubular aluminium shade and acrylic (PMMA) lens diffuser.
Adjustable height.
Possibility to create different compositions (see page 7).
Recessed canopy and remote driver.
False ceiling for recessed canopy is required Ø 45mm drill.



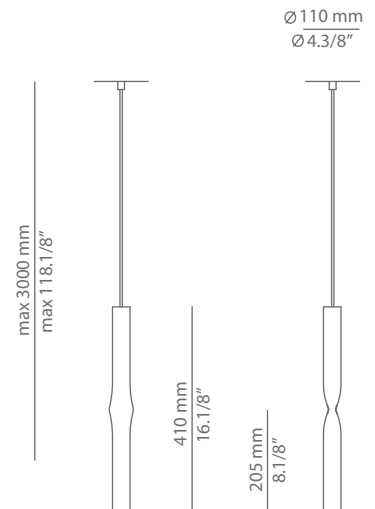
Pictures above might not show the specified dimensions or material. They are for illustration purposes only.

Ordering information

Code	Lamp	Finish canopy	Finish body
 T-3735R  Ø 45mm drill on dropped ceiling	LED 6,2W (led included)  (2700K / Ang 70° / >90 CRI / 350mA) 230V / Typ* 725 lumens Remote driver / Dimmable Triac	 26 BLK Black  71 WH White	 26 BLK Black  61 S GLD Satin Gold  74 WH White  CUSTOM

Product includes

Code	Description
113534XX2	1 recessed canopy for 1 single pedant
T-3735C	1 Flow pendant
671000061	1 driver / Dimmable Triac



SPECIAL REQUIREMENTS

Custom versions

We offer custom plated or RAL finishes. Alternate lamping and sizes available for projects. Consult our offices.

Special instructions



ESTILUZ, S.A.
Carretera d'Ogassa, s/n
17860 Sant Joan de les Abadesses
T+34 972 720 125
F+34 972 720 796

estiluz@estiluz.com
www.estiluz.com

FLOW T-3736S

surface suspension lamp

Date	Type
Project	
Location	
Model #	Quantity
Specifier	

Description

Suspension lamp with a smashed, tubular aluminium shade and acrylic (PMMA) lens diffuser.
Adjustable height.
Possibility to create different compositions (see page 7).



Pictures above might not show the specified dimensions or material. They are for illustration purposes only.

Ordering information

Code	Lamp
■ T-3736S	LED 6,2W (led included) E (2700K / Ang 70° / >90 CRI / 350mA) 100V - 240V / Typ* 725 lumens Non Dimmable

Finish canopy

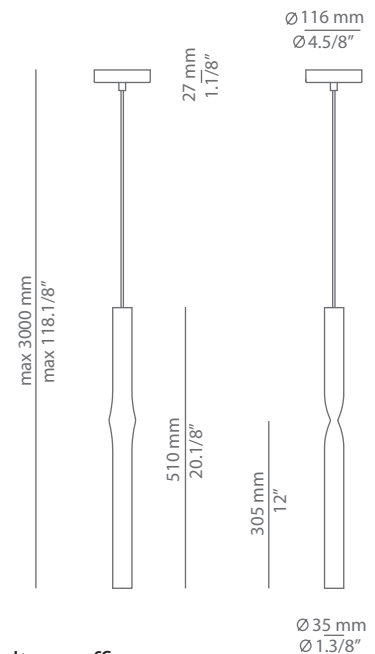
- 26 BLK Black
- 71 WH White

Finish body

- 26 BLK Black
- 61 S GLD Satin Gold
- 74 WH White
- CUSTOM

Product includes

Code	Description
113534XX0	1 surface canopy for 1 single pedant
T-3736C	1 Flow pendant
671000038	1 driver / Non dimmable



SPECIAL REQUIREMENTS

Custom versions

We offer custom plated or RAL finishes. Alternate lamping and sizes available for projects. Consult our offices.

Special instructions



ESTILUZ, S.A.
Carretera d'Ogassa, s/n
17860 Sant Joan de les Abadesses
T+34 972 720 125
F+34 972 720 796

estiluz@estiluz.com
www.estiluz.com

FLOW

T-3736R

recessed suspension lamp

Date	Type
Project	
Location	
Model #	Quantity
Specifier	




Description

Suspension lamp with a smashed, tubular aluminium shade and acrylic (PMMA) lens diffuser.
Adjustable height.
Possibility to create different compositions (see page 7).
Recessed canopy and remote driver.
False ceiling for recessed canopy is required Ø 45mm drill.



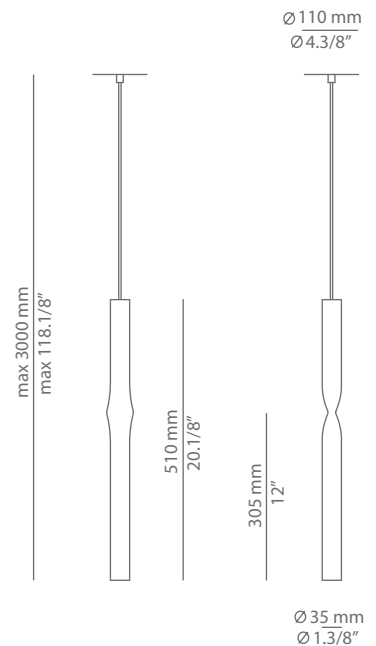
Pictures above might not show the specified dimensions or material. They are for illustration purposes only.

Ordering information

Code	Lamp	Finish canopy	Finish body
 T-3736R  Ø 45mm drill on dropped ceiling	LED 6,2W (led included)  (2700K / Ang 70° / >90 CRI / 350mA) 230V / Typ* 725 lumens Remote driver / Dimmable Triac	 26 BLK Black  71 WH White	 26 BLK Black  61 S GLD Satin Gold  74 WH White  CUSTOM

Product includes

Code	Description
113534XX2	1 recessed canopy for 1 single pedant
T-3736C	1 Flow pendant
671000061	1 driver / Dimmable Triac



SPECIAL REQUIREMENTS

Custom versions

We offer custom plated or RAL finishes. Alternate lamping and sizes available for projects. Consult our offices.

Special instructions

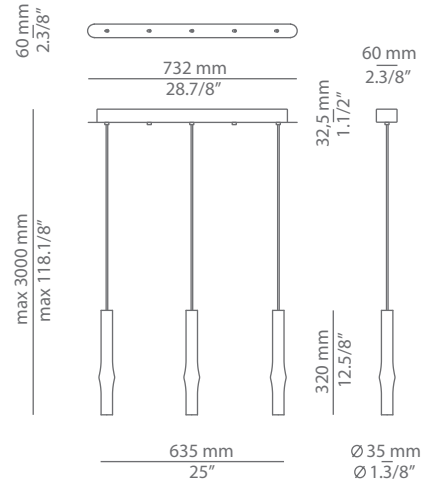
FLOW T-3734C

linear surface compositions

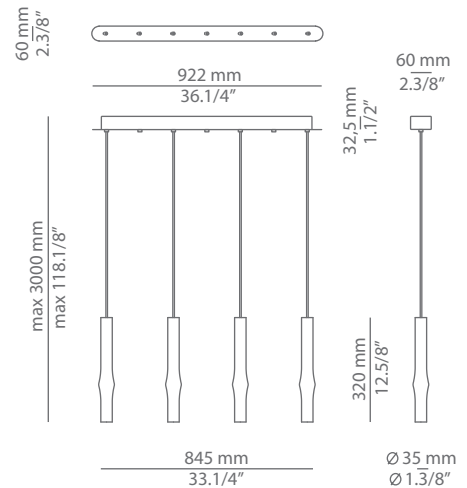
Many possible configurations with T-3734C

Date	Type
Project	
Location	
Model #	Quantity
Specifier	

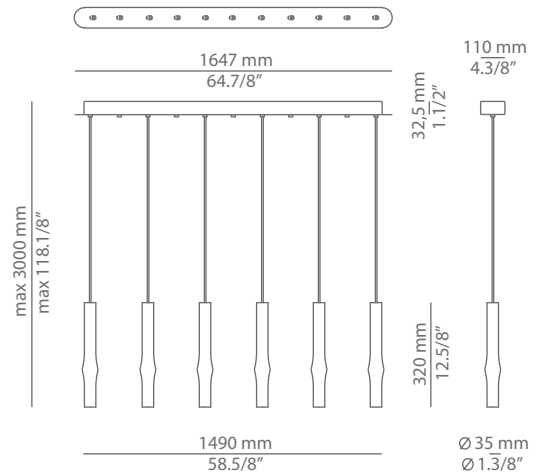
Code	Composition includes								
L73S.3S	1 linear canopy 113415XX1 3 units of T-3734C 1 driver 671000034 / Dimmable Triac Add up to 2 additional Flow								
	<table border="0"> <tr> <th>Canopy</th> <th>Shade</th> </tr> <tr> <td>26 BLK Black</td> <td>26 BLK Black</td> </tr> <tr> <td>71 WH White</td> <td>61 S GLD Satin Gold</td> </tr> <tr> <td></td> <td>74 WH White</td> </tr> </table>	Canopy	Shade	26 BLK Black	26 BLK Black	71 WH White	61 S GLD Satin Gold		74 WH White
Canopy	Shade								
26 BLK Black	26 BLK Black								
71 WH White	61 S GLD Satin Gold								
	74 WH White								



Code	Composition includes								
L92S.4S	1 linear canopy 113415XX3 4 units of T-3734C 2 drivers 671000034 / Dimmable Triac Add up to 3 additional Flow								
	<table border="0"> <tr> <th>Canopy</th> <th>Shade</th> </tr> <tr> <td>26 BLK Black</td> <td>26 BLK Black</td> </tr> <tr> <td>71 WH White</td> <td>61 S GLD Satin Gold</td> </tr> <tr> <td></td> <td>74 WH White</td> </tr> </table>	Canopy	Shade	26 BLK Black	26 BLK Black	71 WH White	61 S GLD Satin Gold		74 WH White
Canopy	Shade								
26 BLK Black	26 BLK Black								
71 WH White	61 S GLD Satin Gold								
	74 WH White								



Code	Composition includes								
L165S.6S	1 linear canopy 113415XX7 6 units of T-3734C 2 drivers 671000034 / Dimmable Triac Add up to 5 additional Flow								
	<table border="0"> <tr> <th>Canopy</th> <th>Shade</th> </tr> <tr> <td>26 BLK Black</td> <td>26 BLK Black</td> </tr> <tr> <td>71 WH White</td> <td>61 S GLD Satin Gold</td> </tr> <tr> <td></td> <td>74 WH White</td> </tr> </table>	Canopy	Shade	26 BLK Black	26 BLK Black	71 WH White	61 S GLD Satin Gold		74 WH White
Canopy	Shade								
26 BLK Black	26 BLK Black								
71 WH White	61 S GLD Satin Gold								
	74 WH White								



FLOW

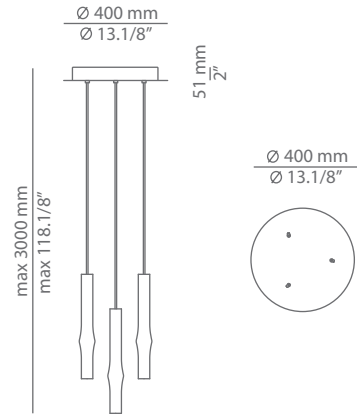
T-3534C

round surface compositions

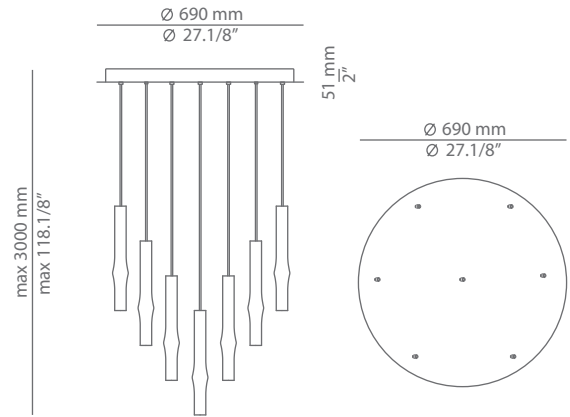
Many possible configurations with T-3734C

Date	Type
Project	
Location	
Model #	Quantity
Specifier	

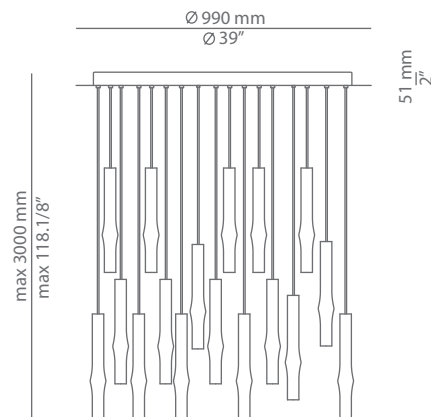
Code	Composition includes														
R40S.3S	1 round canopy 113415XX6 3 units of T-3734C 1 driver 671000034 / Dimmable Triac														
	<table border="0"> <tr> <td style="text-align: center;">Canopy</td> <td style="text-align: center;">Shade</td> </tr> <tr> <td> <table border="0"> <tr> <td>■ 26 BLK</td> <td>Black</td> </tr> <tr> <td>■ 71 WH</td> <td>White</td> </tr> </table> </td> <td> <table border="0"> <tr> <td>■ 26 BLK</td> <td>Black</td> </tr> <tr> <td>■ 61 S GLD</td> <td>Satin Gold</td> </tr> <tr> <td>■ 74 WH</td> <td>White</td> </tr> </table> </td> </tr> </table>	Canopy	Shade	<table border="0"> <tr> <td>■ 26 BLK</td> <td>Black</td> </tr> <tr> <td>■ 71 WH</td> <td>White</td> </tr> </table>	■ 26 BLK	Black	■ 71 WH	White	<table border="0"> <tr> <td>■ 26 BLK</td> <td>Black</td> </tr> <tr> <td>■ 61 S GLD</td> <td>Satin Gold</td> </tr> <tr> <td>■ 74 WH</td> <td>White</td> </tr> </table>	■ 26 BLK	Black	■ 61 S GLD	Satin Gold	■ 74 WH	White
Canopy	Shade														
<table border="0"> <tr> <td>■ 26 BLK</td> <td>Black</td> </tr> <tr> <td>■ 71 WH</td> <td>White</td> </tr> </table>	■ 26 BLK	Black	■ 71 WH	White	<table border="0"> <tr> <td>■ 26 BLK</td> <td>Black</td> </tr> <tr> <td>■ 61 S GLD</td> <td>Satin Gold</td> </tr> <tr> <td>■ 74 WH</td> <td>White</td> </tr> </table>	■ 26 BLK	Black	■ 61 S GLD	Satin Gold	■ 74 WH	White				
■ 26 BLK	Black														
■ 71 WH	White														
■ 26 BLK	Black														
■ 61 S GLD	Satin Gold														
■ 74 WH	White														



Code	Composition includes														
R70S.7S	1 round canopy 113415XX4 7 units of T-3734C 3 drivers 671000034 / Dimmable Triac														
	<table border="0"> <tr> <td style="text-align: center;">Canopy</td> <td style="text-align: center;">Shade</td> </tr> <tr> <td> <table border="0"> <tr> <td>■ 26 BLK</td> <td>Black</td> </tr> <tr> <td>■ 71 WH</td> <td>White</td> </tr> </table> </td> <td> <table border="0"> <tr> <td>■ 26 BLK</td> <td>Black</td> </tr> <tr> <td>■ 61 S GLD</td> <td>Satin Gold</td> </tr> <tr> <td>■ 74 WH</td> <td>White</td> </tr> </table> </td> </tr> </table>	Canopy	Shade	<table border="0"> <tr> <td>■ 26 BLK</td> <td>Black</td> </tr> <tr> <td>■ 71 WH</td> <td>White</td> </tr> </table>	■ 26 BLK	Black	■ 71 WH	White	<table border="0"> <tr> <td>■ 26 BLK</td> <td>Black</td> </tr> <tr> <td>■ 61 S GLD</td> <td>Satin Gold</td> </tr> <tr> <td>■ 74 WH</td> <td>White</td> </tr> </table>	■ 26 BLK	Black	■ 61 S GLD	Satin Gold	■ 74 WH	White
Canopy	Shade														
<table border="0"> <tr> <td>■ 26 BLK</td> <td>Black</td> </tr> <tr> <td>■ 71 WH</td> <td>White</td> </tr> </table>	■ 26 BLK	Black	■ 71 WH	White	<table border="0"> <tr> <td>■ 26 BLK</td> <td>Black</td> </tr> <tr> <td>■ 61 S GLD</td> <td>Satin Gold</td> </tr> <tr> <td>■ 74 WH</td> <td>White</td> </tr> </table>	■ 26 BLK	Black	■ 61 S GLD	Satin Gold	■ 74 WH	White				
■ 26 BLK	Black														
■ 71 WH	White														
■ 26 BLK	Black														
■ 61 S GLD	Satin Gold														
■ 74 WH	White														



Code	Composition includes														
R100S.17S	1 round canopy 113415XX5 17 units of T-3734C 6 drivers 671000034 / Dimmable Triac														
	<table border="0"> <tr> <td style="text-align: center;">Canopy</td> <td style="text-align: center;">Shade</td> </tr> <tr> <td> <table border="0"> <tr> <td>■ 26 BLK</td> <td>Black</td> </tr> <tr> <td>■ 71 WH</td> <td>White</td> </tr> </table> </td> <td> <table border="0"> <tr> <td>■ 26 BLK</td> <td>Black</td> </tr> <tr> <td>■ 61 S GLD</td> <td>Satin Gold</td> </tr> <tr> <td>■ 74 WH</td> <td>White</td> </tr> </table> </td> </tr> </table>	Canopy	Shade	<table border="0"> <tr> <td>■ 26 BLK</td> <td>Black</td> </tr> <tr> <td>■ 71 WH</td> <td>White</td> </tr> </table>	■ 26 BLK	Black	■ 71 WH	White	<table border="0"> <tr> <td>■ 26 BLK</td> <td>Black</td> </tr> <tr> <td>■ 61 S GLD</td> <td>Satin Gold</td> </tr> <tr> <td>■ 74 WH</td> <td>White</td> </tr> </table>	■ 26 BLK	Black	■ 61 S GLD	Satin Gold	■ 74 WH	White
Canopy	Shade														
<table border="0"> <tr> <td>■ 26 BLK</td> <td>Black</td> </tr> <tr> <td>■ 71 WH</td> <td>White</td> </tr> </table>	■ 26 BLK	Black	■ 71 WH	White	<table border="0"> <tr> <td>■ 26 BLK</td> <td>Black</td> </tr> <tr> <td>■ 61 S GLD</td> <td>Satin Gold</td> </tr> <tr> <td>■ 74 WH</td> <td>White</td> </tr> </table>	■ 26 BLK	Black	■ 61 S GLD	Satin Gold	■ 74 WH	White				
■ 26 BLK	Black														
■ 71 WH	White														
■ 26 BLK	Black														
■ 61 S GLD	Satin Gold														
■ 74 WH	White														



FLOW

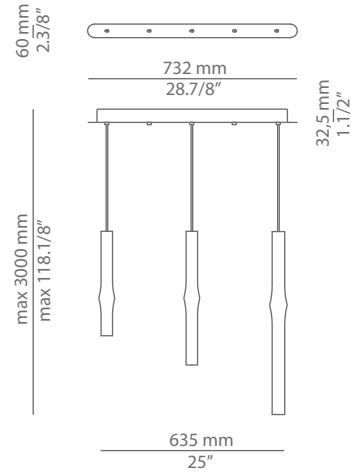
T-3734C / T-3735C / T-3736C

linear surface compositions

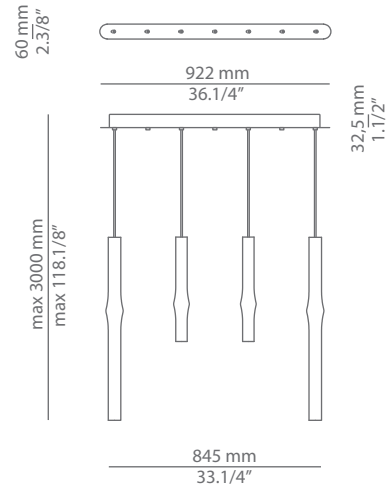
Date	Type
Project	
Location	
Model #	Quantity
Specifier	

Many possible configurations with T-3734C / T-3735C / T-3736C

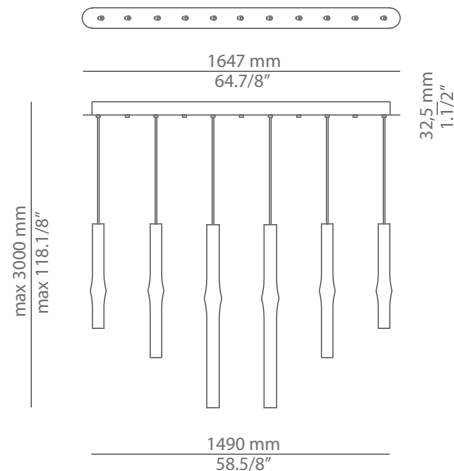
Code	Composition includes								
L73S.1S1M1L	1 linear canopy 113415XX1 1 unit of T-3734C 1 unit of T-3735C 1 unit of T-3736C 1 driver 671000034 / Dimmable Triac Add up to 2 additional Flow								
	<table border="0"> <tr> <th>Canopy</th> <th>Shade</th> </tr> <tr> <td>26 BLK Black</td> <td>26 BLK Black</td> </tr> <tr> <td>71 WH White</td> <td>61 S GLD Satin Gold</td> </tr> <tr> <td></td> <td>74 WH White</td> </tr> </table>	Canopy	Shade	26 BLK Black	26 BLK Black	71 WH White	61 S GLD Satin Gold		74 WH White
Canopy	Shade								
26 BLK Black	26 BLK Black								
71 WH White	61 S GLD Satin Gold								
	74 WH White								



Code	Composition includes								
L92S.2S2L	1 linear canopy 113415XX3 2 units of T-3734C 2 units of T-3736C 2 drivers 671000034 / Dimmable Triac Add up to 3 additional Flow								
	<table border="0"> <tr> <th>Canopy</th> <th>Shade</th> </tr> <tr> <td>26 BLK Black</td> <td>26 BLK Black</td> </tr> <tr> <td>71 WH White</td> <td>61 S GLD Satin Gold</td> </tr> <tr> <td></td> <td>74 WH White</td> </tr> </table>	Canopy	Shade	26 BLK Black	26 BLK Black	71 WH White	61 S GLD Satin Gold		74 WH White
Canopy	Shade								
26 BLK Black	26 BLK Black								
71 WH White	61 S GLD Satin Gold								
	74 WH White								



Code	Composition includes								
L165S.2S2M2L	1 linear canopy 113415XX7 2 units of T-3734C 2 units of T-3735C 2 units of T-3736C 2 drivers 671000034 / Dimmable Triac Add up to 5 additional Flow								
	<table border="0"> <tr> <th>Canopy</th> <th>Shade</th> </tr> <tr> <td>26 BLK Black</td> <td>26 BLK Black</td> </tr> <tr> <td>71 WH White</td> <td>61 S GLD Satin Gold</td> </tr> <tr> <td></td> <td>74 WH White</td> </tr> </table>	Canopy	Shade	26 BLK Black	26 BLK Black	71 WH White	61 S GLD Satin Gold		74 WH White
Canopy	Shade								
26 BLK Black	26 BLK Black								
71 WH White	61 S GLD Satin Gold								
	74 WH White								



FLOW

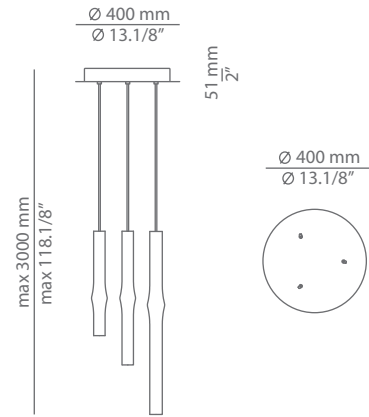
T-3734C / T-3735C / T-3736C

round surface compositions

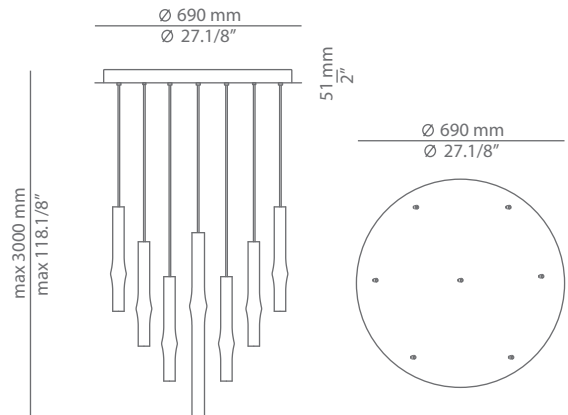
Date	Type
Project	
Location	
Model #	Quantity
Specifier	

Many possible configurations with T-3734C / T-3735C / T-3736C

Code	Composition includes								
■ R40S.1S1M1L	1 round canopy 113415XX6 1 unit of T-3734C 1 unit of T-3735C 1 unit of T-3736C 1 driver 671000034 / Dimmable Triac								
	<table border="0"> <tr> <td>Canopy</td> <td>Shade</td> </tr> <tr> <td>■ 26 BLK Black</td> <td>■ 26 BLK Black</td> </tr> <tr> <td>■ 71 WH White</td> <td>■ 61 S GLD Satin Gold</td> </tr> <tr> <td></td> <td>■ 74 WH White</td> </tr> </table>	Canopy	Shade	■ 26 BLK Black	■ 26 BLK Black	■ 71 WH White	■ 61 S GLD Satin Gold		■ 74 WH White
Canopy	Shade								
■ 26 BLK Black	■ 26 BLK Black								
■ 71 WH White	■ 61 S GLD Satin Gold								
	■ 74 WH White								



Code	Composition includes								
■ R70S.6S1L	1 round canopy 113415XX4 6 units of T-3734C 1 unit of T-3736C 3 drivers 671000034 / Dimmable Triac								
	<table border="0"> <tr> <td>Canopy</td> <td>Shade</td> </tr> <tr> <td>■ 26 BLK Black</td> <td>■ 26 BLK Black</td> </tr> <tr> <td>■ 71 WH White</td> <td>■ 61 S GLD Satin Gold</td> </tr> <tr> <td></td> <td>■ 74 WH White</td> </tr> </table>	Canopy	Shade	■ 26 BLK Black	■ 26 BLK Black	■ 71 WH White	■ 61 S GLD Satin Gold		■ 74 WH White
Canopy	Shade								
■ 26 BLK Black	■ 26 BLK Black								
■ 71 WH White	■ 61 S GLD Satin Gold								
	■ 74 WH White								



Code	Composition includes								
■ R100S.11S5M1L	1 round canopy 113415XX5 11 units of T-3734C 5 units of T-3735C 1 unit of T-3736C 6 drivers 671000034 / Dimmable Triac								
	<table border="0"> <tr> <td>Canopy</td> <td>Shade</td> </tr> <tr> <td>■ 26 BLK Black</td> <td>■ 26 BLK Black</td> </tr> <tr> <td>■ 71 WH White</td> <td>■ 61 S GLD Satin Gold</td> </tr> <tr> <td></td> <td>■ 74 WH White</td> </tr> </table>	Canopy	Shade	■ 26 BLK Black	■ 26 BLK Black	■ 71 WH White	■ 61 S GLD Satin Gold		■ 74 WH White
Canopy	Shade								
■ 26 BLK Black	■ 26 BLK Black								
■ 71 WH White	■ 61 S GLD Satin Gold								
	■ 74 WH White								

