

TIK

p-4096X

bollard light

Date	Type
Project	
Location	
Model #	Quantity
Specifier	

Description

Metallic outdoor bollard light with fixed illuminated stem. Integrated LED providing direct light. Double layer coating for high resistance to corrosion and other maritime environmental conditions. Hard wired (no plug).



Pictures above might not show the specified dimensions or material. They are for illustration purposes only.

Ordering information

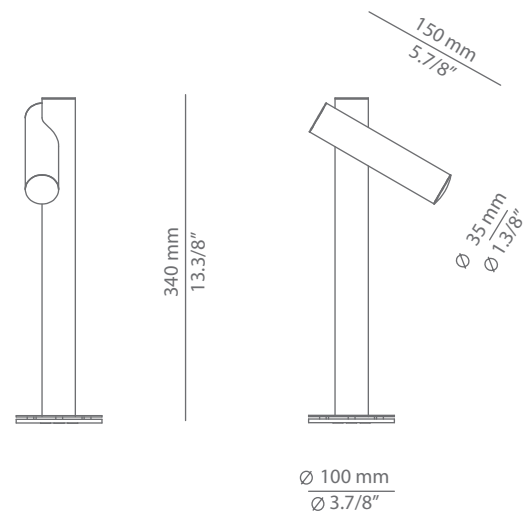
Product Code	Lamp	Finish
p-4096X	LED 6,2W (included) (3000K / Ang 45° / >90 CRI / 350mA) 230V / Typ* 763 lumens Non Dimmable	<ul style="list-style-type: none"> 88 GR ST Grey Stone 89 PL GRN Pale Green 96 BLK ANT Black Anthracite CUSTOM

SPECIAL REQUIREMENTS

Custom finishes and versions

We offer custom RAL finishes.

Alternate lamping and sizes available for projects. Consult our offices.



Special instructions



ESTILUZ, S.A.
Carretera d'Ogassa, s/n
17860 Sant Joan de les Abadesses
T+34 972 720 125
F+34 972 720 796

estiluz@estiluz.com
www.estiluz.com

TIK

p-4097X
bollard light

Date	Type
Project	
Location	
Model #	Quantity
Specifier	

Description

Metallic outdoor bollard light with fixed illuminated stem. Integrated LED providing direct light. Double layer coating for high resistance to corrosion and other maritime environmental conditions. Hard wired (no plug).



Pictures above might not show the specified dimensions or material. They are for illustration purposes only.

Ordering information

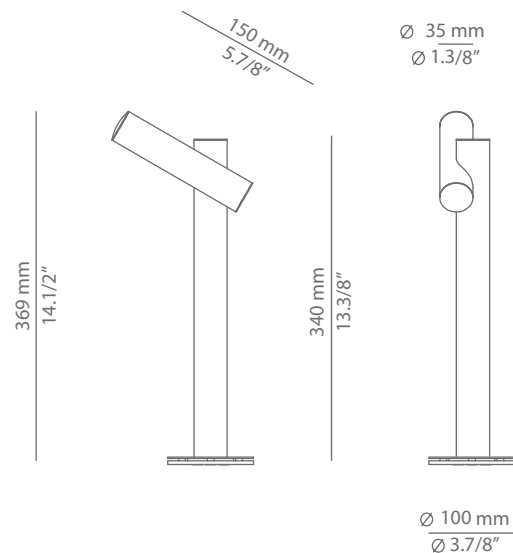
Product Code	Lamp	Finish
p-4097X	LED 6,2W (included) (3000K / Ang 45° / >90 CRI / 350mA) 230V / Typ* 763 lumens Non Dimmable	<ul style="list-style-type: none"> 88 GR ST Grey Stone 89 PL GRN Pale Green 96 BLK ANT Black Anthracite CUSTOM

SPECIAL REQUIREMENTS

Custom finishes and versions

We offer custom RAL finishes.

Alternate lamping and sizes available for projects. Consult our offices.



Special instructions
