


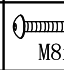


A	B	C	D
 P5	 M8x20	 $\phi 8$	 M8x60
1 PC	6 PCS	16 PCS	8 PCS

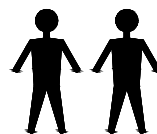


FIG.
1

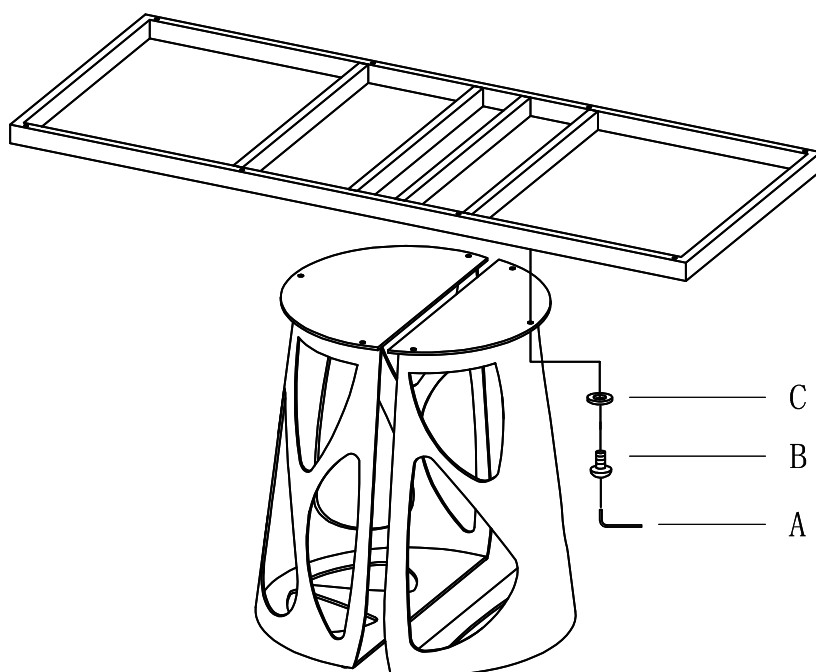
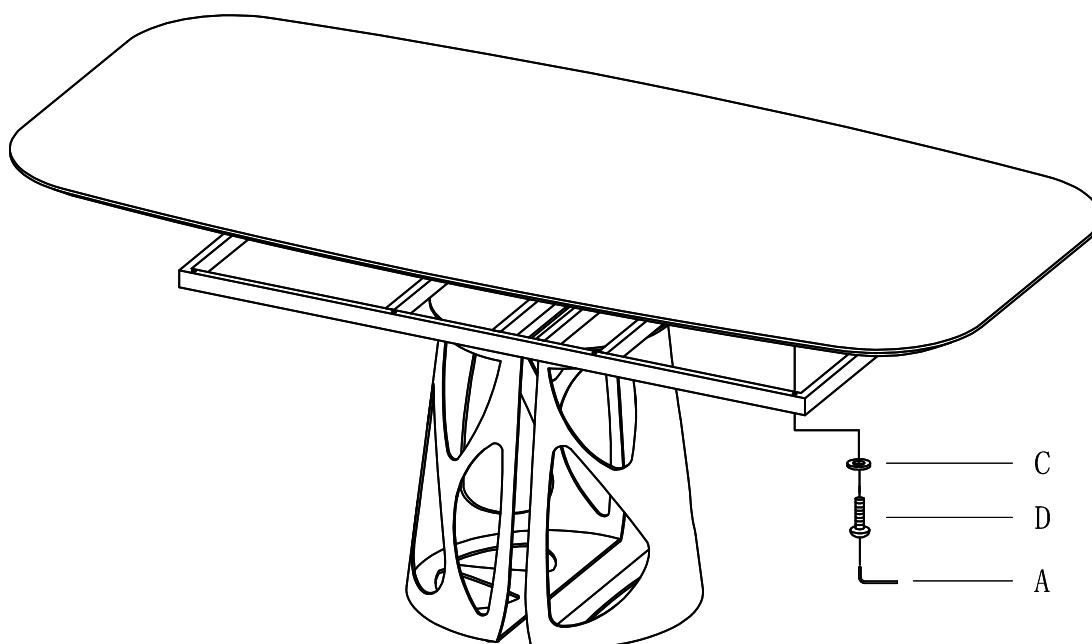






FIG.
2



A	B	C	D
 P5	 M8x20	 ø8	 M8x60
1 PC	6 PCS	16 PCS	8 PCS

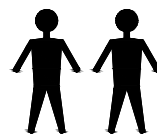


FIG.
3

