

viccarbe

Solar

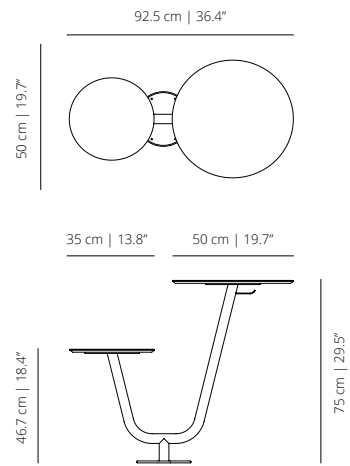
Designed Marc Krusin

Technical info - Outdoor

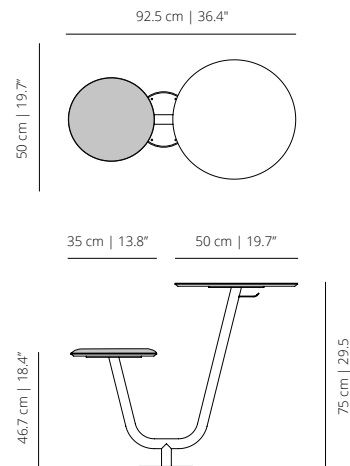
V01

SOLAR TABLE

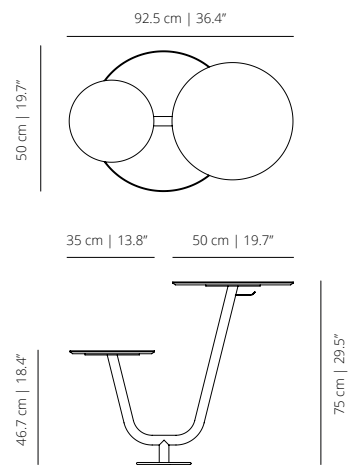
SOLANCNEX
compact seat



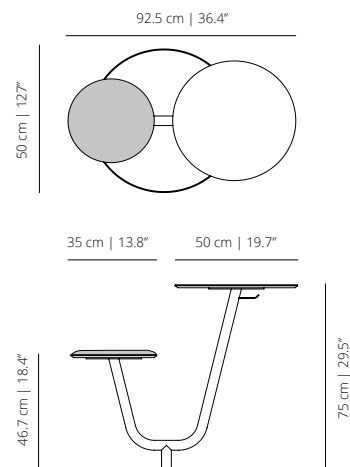
SOLANCNEXT
upholstered seat / compact tabletop



SOLCNEX
compact seat



SOLCNEXT
upholstered seat / compact tabletop

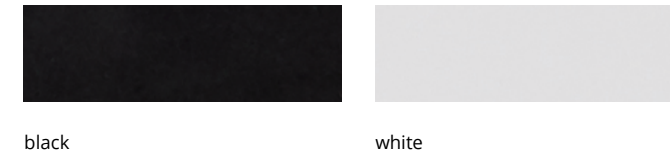


FINISHES

TABLETOPS MATERIALS

Compact

A high resistance material with 12mm thickness. It can be black or white. With a black edge, the surface of the tabletop can be black or white; for a white edge, it can be white.

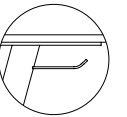


NOTE: This product is made for a controlled outdoor environment.

STRUCTURE

Powder coated*

The structure is made of calibrated steel with a special protective treatment for outdoor use, and powder coated with thermoreinforced polyester in black or white, with microtexturized finish.



** Includes hook under tabletop - MAX 15kg.
** The structure includes a special coating for Outdoor, resistant to exterior use.*

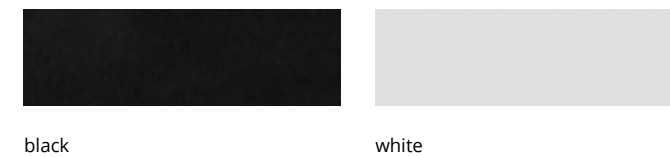
SEAT

Upholstery

Check upholstery fabrics *for Outdoor*.

Compact

A high resistance material with 12mm thickness, recommended for severe use in high-traffic areas.



ACCESSORIES & ELECTRIFICATIONS



USB hub with battery. USB hub with two USB device charging ports without being plugged into electric current. It's needed to buy the battery charging tray to charge the USB hub battery.



Battery charging tray. Charges up to four stations simultaneously in 7 hours. Includes magnetic key to remove the station from its support

NOTE: Outdoor cover available to protect the product from water, humidity and sunlight.

CERTIFICATIONS

Follows the outdoor regulation: UNE EN 581-2:2016.

Let's talk

We want to help you find the best designs for your project. Contact us and our team will get back to you as soon as possible.

[CONTACT US](#)

