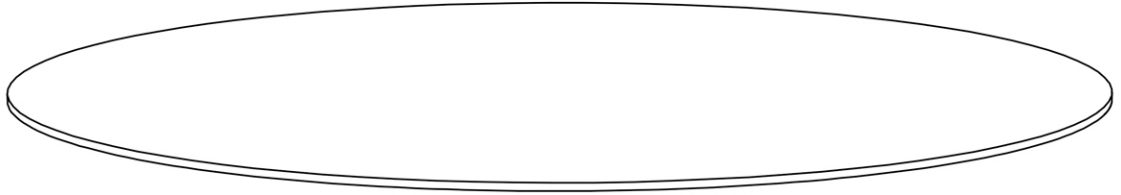




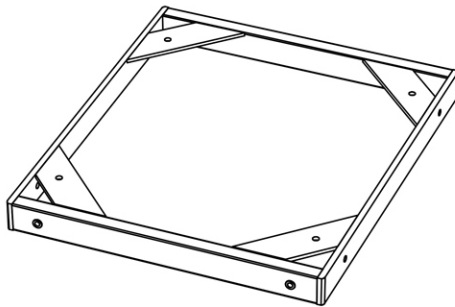
**ASSEMBLY INSTRUCTIONS**  
**RODONA ROUND DINING TABLE**

# PARTS INCLUDED

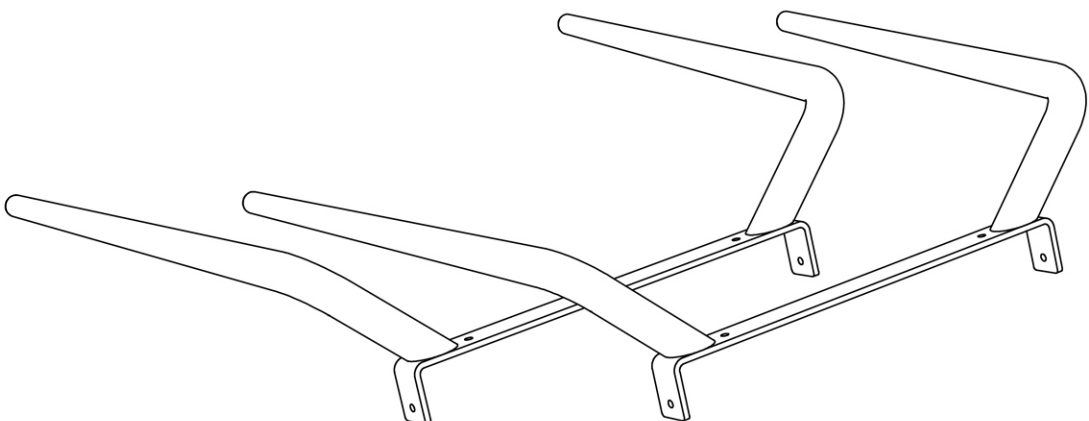
- ① TABLE TOP ( 1 PC )



- ② TOP FRAME ( 1 PC )

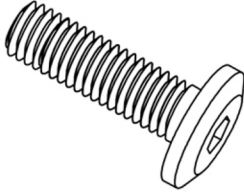


- ③ LEGS ( 2 PCS )

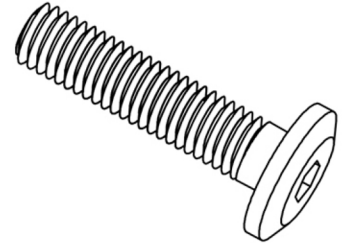


# HARDWARE INCLUDED

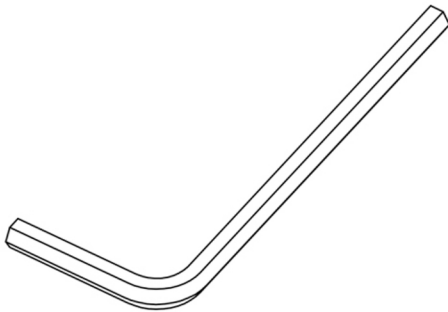
**A** BOLT JCBC M8 x 25MM ( 4 PCS )



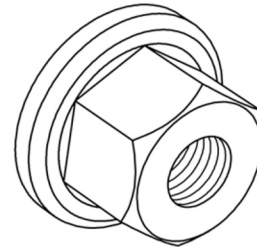
**B** BOLT JCBC M8 x 35MM ( 4 PCS )



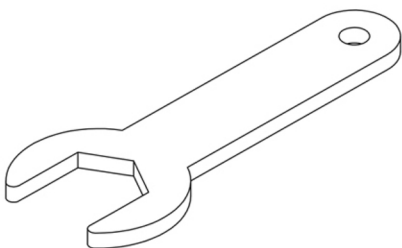
**C** ALLEN KEY ( 1 PC )



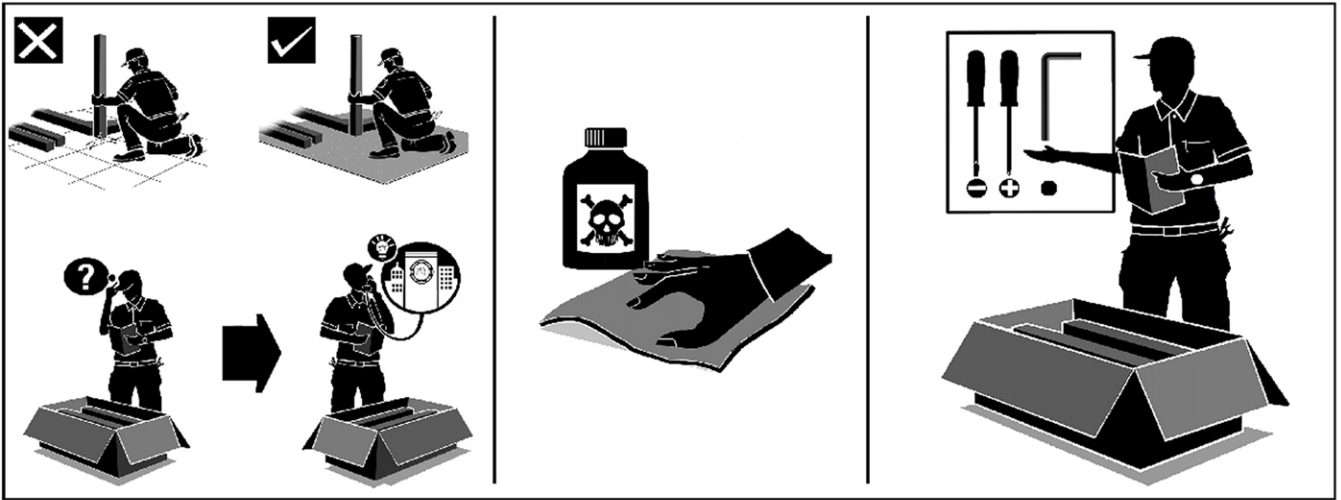
**D** FLANGED NUT M8 ( 4 PCS )



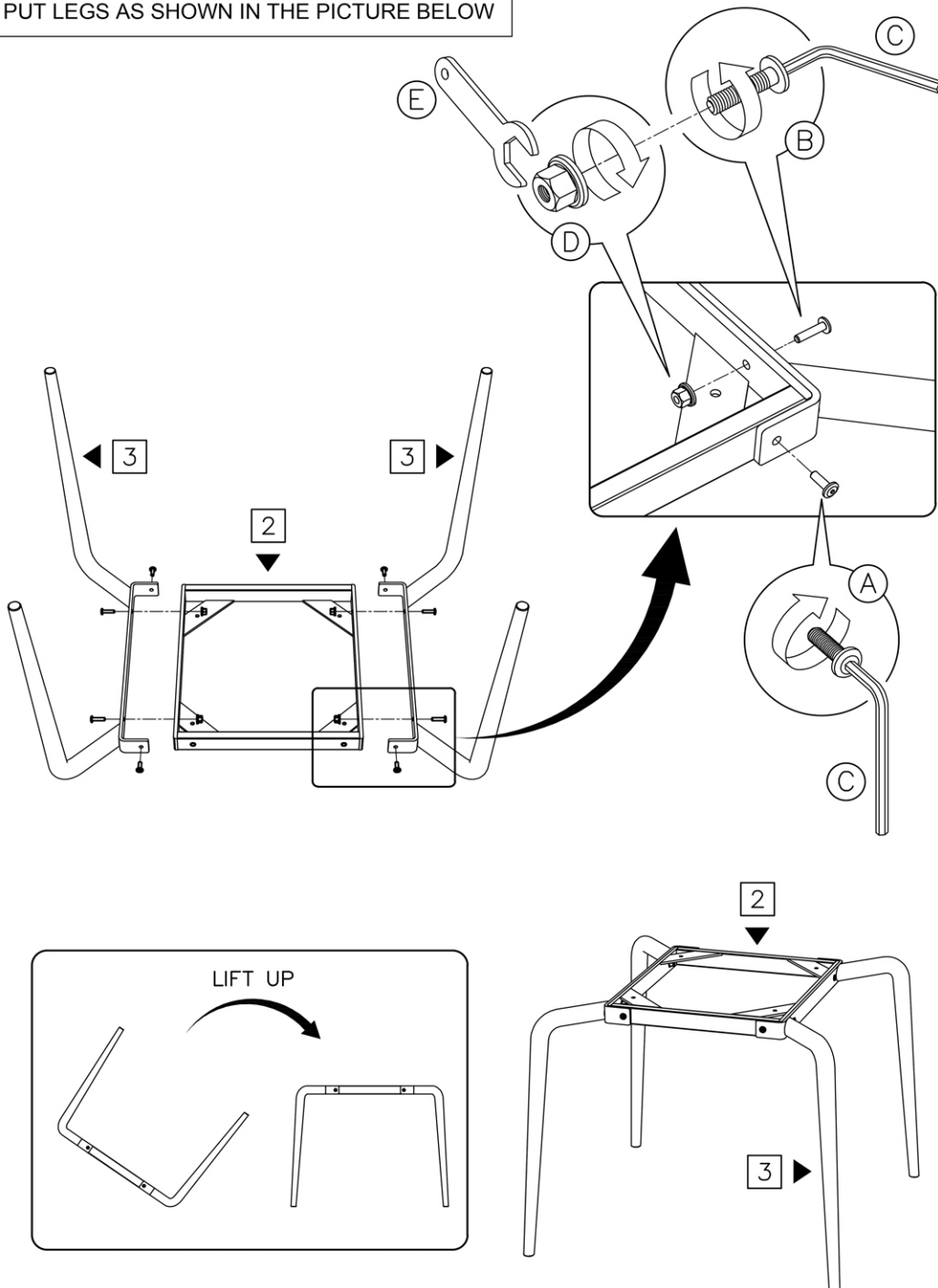
**E** SPANNER ( 1 PC )



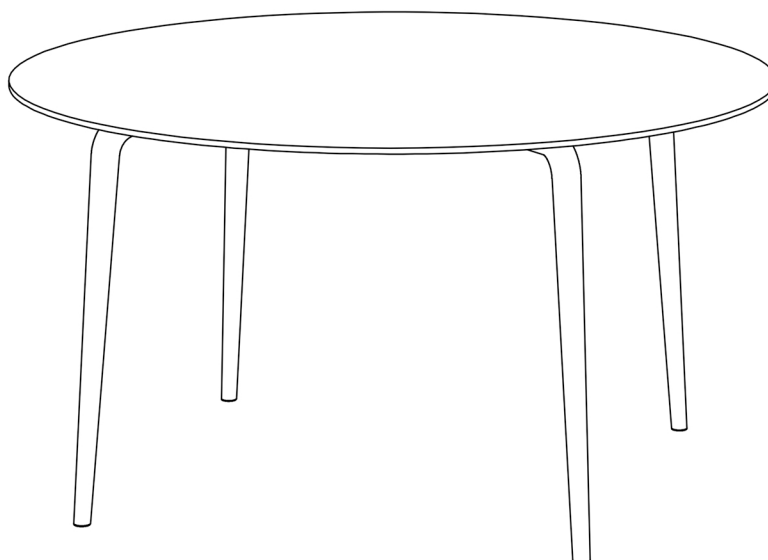
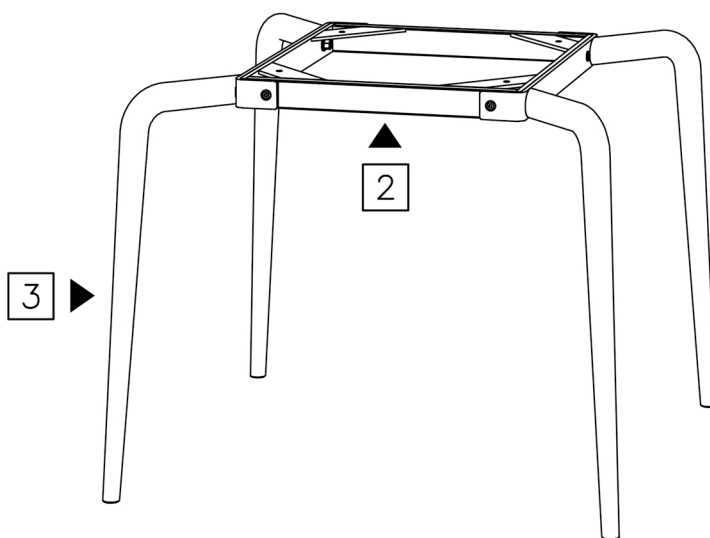
# ASSEMBLY INSTRUCTIONS



STEP #1 :  
PUT LEGS AS SHOWN IN THE PICTURE BELOW



STEP # 2 (FINISH) :  
TUCK-IN THE TABLE TOP  
as shown in the picture below





**RODONA ROUND DINING TABLE**