

# Gram

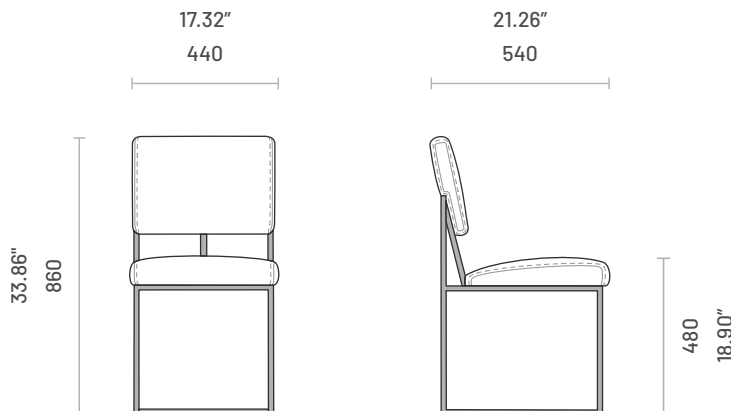
## CHAIR

An eye-catching chair distinguished by its geometrical shapes created with the finest materials and finishes. Gram presents a metal structure that provides stability and comfort. To ensure you have a pleasant experience, an upholstered back and seat are featured, and that you can customize in materials and finishes to fit your residential or contract project. The same attractive design Gram chair can be seen in bar and counter chair versions, so you can include them together.



## Specifications

### Dimensions



### Technical Information

#### Frame

Structure: Stainless Steel or Steel and MDF

#### Padding

Seat: 23kg/m<sup>3</sup>, 35kg/m<sup>3</sup> polyurethane foam and 100gr polyester fibre

Backrest: 23kg/m<sup>3</sup>, 30kg/m<sup>3</sup> polyurethane foam and 100 gr polyester fibre

# Materials and Finishes

## Overview



## Available Finishes




	1	2
<b>Fabrics</b>		
Aldan	●	—
Arno	●	—
Astoria	●	—
Avalon	●	—
Bergen	●	—
Brampton	●	—
Clarence	●	—
Columbia	●	—
Devon	●	—
Galway	●	—
Helmand	●	—
Hudson	●	—
Osaka	●	—
Provence	●	—
<b>Synthetic Leathers</b>		
Rupert	●	—
<b>Natural Leathers</b>		
Albany	—	—
Aspen*	●	—
Dover*	●	—
<b>Metals</b>		
White Texturized	—	●
Black Texturized	—	●
Silver Polished	—	●
Gold Polished	—	●
Gold Brushed	—	●
Rose Gold Matte	—	●
Onyx Polished	—	●
Smoky Black Polished	—	●

\*A **minimum order of 2 units** is required for natural leather colors that are **not included** in the Domkapa Sample Box (colors **not marked** with the golden ribbon on the Materials and Finishes document).

## COM Fabric and Leather Requirements

Item	1	
Gram Chair	<b>Fabric</b>  1.00 lm 3.28 ft	<b>Leather</b>  2.00 m2 21.60 ft2

## Packaging Information

Item	Number of Packages	Packaging Dimensions	Packaging Weight	
Gram Chair	 *2 chairs per package	Width: 526mm (20.71") Depth: 770mm (29.57") Height: 1151mm (45.31") Volume: 0.466m <sup>3</sup> (16.46ft <sup>3</sup> )	 23.00kg	 50.70lb