

TECHNICAL CHARACTERISTICS

SGINGER

# Ginger

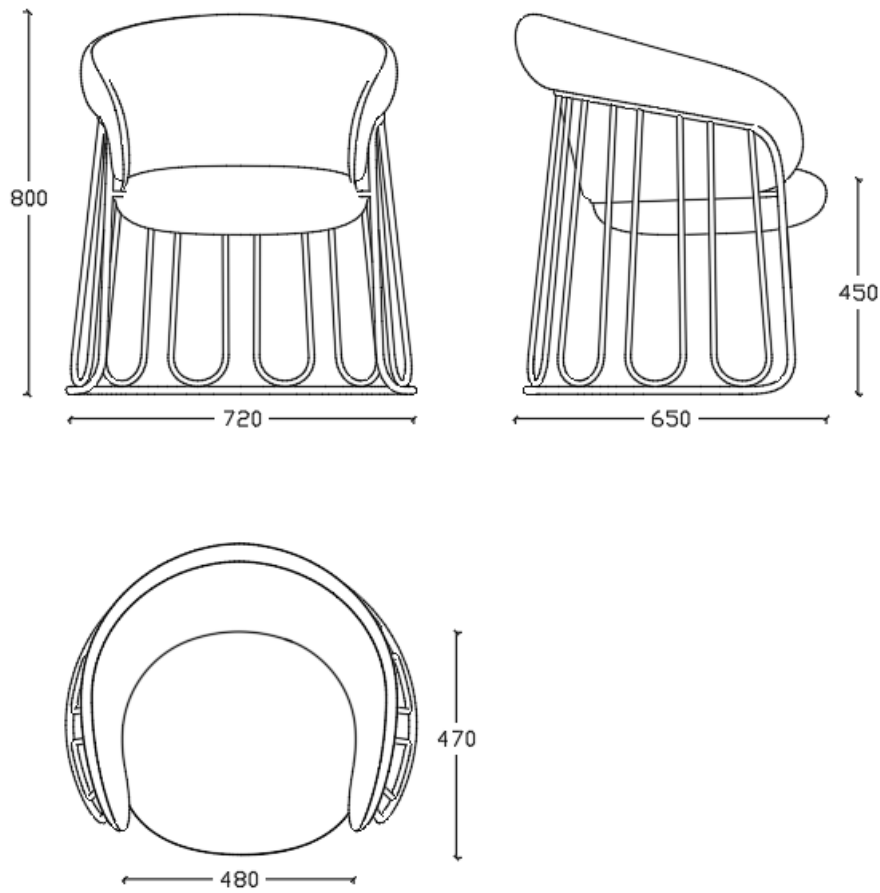
## Sled

The seat for the Ginger chair, with its soft and rounded shapes, rests on a decorative and organic sled framework. A sculptural design that provides comfort and cosiness.

DESIGNED BY SEBASTIAN HERKNER



**ondarreta**



### DIMENSIONS

72 cm x 65 cm x 80 cm x 45 cm (28,3" x 25,6" x 31,5" x 17,7") [width x depth x height x seat height]

### WEIGHT

12 kg (26,5 lb)

### PACKAGING

One chair per box.

Box dimensions:

74 cm x 67 cm x 82 cm (29,1" x 26,4" x 32,3")

### CERTIFICATION

Designed in accordance with the Ecodesign standard UNE-EN ISO 14006:2011.

### ACCESORIES

Felt glides (black)

### ORIGIN

100% Made in Europe

### DESIGN

Sebastian Herkner



## **COMPONENTS**

### **FRAME**

#### **Material**

12 mm (0.47") side and 1,5 mm (0.06") thickness cold laminated E-220 quality (EN-10305 Normative) circular section recycled steel tube.

Tensile Strength > 310 N/mm<sup>2</sup> (44,960 psi);

Elastic Limit > 220 N/mm<sup>2</sup> (31,900 psi); Elongation > 23%

#### **Finish**

Colour epoxy

### **SEAT AND BACK**

#### **Flexible polyurethane**

Flexible polyurethane injection, a two-component foam system based on Polirol and Iso preparation, of superior quality and ergonomics, on a technical wood core for the seat and rigid polyurethane for the backrest.

#### **Finish**

Removable fabric

### **METAL FINISHES**

#### **EPOXYS**

Powder covering formulated with polyester resins, with good both mechanical and chemical properties, outdoor maximum resistance and noxious compounds free. Electrostatic application and oven cured at 200°C (392°F).

#### **Technical Characteristics:**

Thickness (ISO 2360): between 60 and 90 µm.

Adherence (ISO 2409): Grade: 0 (maximum adherence)

### **COM REQUIREMENTS**

Seat and backrest: 250 cm

For COM tissues, it will be necessary to test viability.

Ondarreta only recommends plain fabrics for this product.