

Model **ASTON**



Technical Information

Frame	Frame of pine wood and MDF
Seat Suspension	
Back Suspension	Webbing 80mm
Seat Foam	35kg foam on seat cushions+ fibre
Seat Firmness	Medium Foam (white) *
Back Cushions	Foam 30Kg + 400grs.
Loose Cushions	Fibre fibersilk 100%
Legs Options	Wooden feet/ Optional table
Colors	Natural, Cherry, Walnut, Wengue

Guarantee

Frame and seat suspension:

Lifetime guarantee

Rest of Pieces 2 years*

*6-month guaranty extension by activating it on the web

Comments: _____ * You would like to know more?
Check the FAQS section in our website

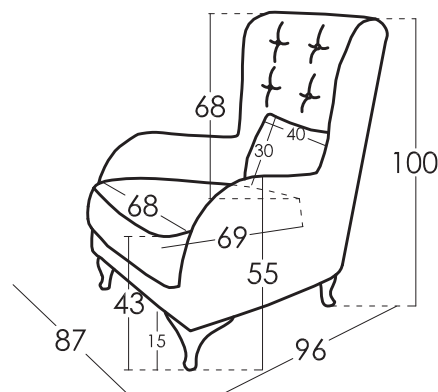
Cushions Measures

Lumbar cushion 45X32

Measures

Width	87 cm
Height	100 cm
Depth	96 cm
Seat Height	43 cm
Arm Height	55 cm
Back Height	68 cm
Depth when open	- cm
Net Weight	- kg
Gross Weight	- kg
Volume m3	- m3

Scheme



Packaging

Shrink wrapping plastic packaging with protective corner brackets

Options



Types of Standard Foam

Hardness: Soft Grey colour 35Kg	Hardness: Medium White colour 35Kg	Hardness: Hard Green colour 30Kg
---------------------------------------	--	--

Types of Fire Retardant Foam

Hardness: Medium Grey colour 41Kg	Hardness: Soft White colour 36Kg
---	--

ASTON is manufactured by Fama Sofás, whose quality system is certified by AENOR and IQNET, according to ISO 9001-2008, with certificate number ER 0790/1999.

All models have passed the tests required for granting the quality control label from Aidima-Cetem laboratories.

* You can request a different seat hardness from the standard of the model with a small price increase

