

TURA

A1313

Designed by JF Sevilla, 2023

DESCRIPTION

MATERIALS

Steel / Leather

FINISHES

Metal:
Matt black

Leather:
Black / Brown / Orange

SPECIFICATIONS

LED chip 5W 2700K
24V, 50/60Hz
IP20, Class I

ENERGY LABEL

A ++

⊕ IP20 CE 

MATERIALES

Metal / Cuero

ACABADOS

Metal:
Negro mate

Cuero:
Negro / Marrón / Naranja

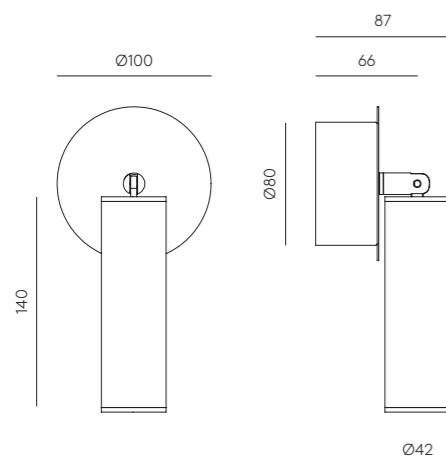
ESPECIFICACIONES

Chip LED 5W 2700K
24V, 50/60 Hz
IP20, Clase I

ETIQUETA ENERGÉTICA

A ++

TECHNICAL



Buenos Aires, Argentina

