

HALO

designed by
FERNANDO MARTÍNEZ

HALO

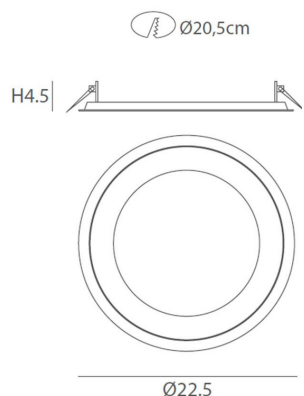
Anillos de luz de aluminio y difusor de metacrilato.
Empotrables de diferentes diámetros de gran
versatilidad y con tecnología LED .

HALO

*Rings of lights with LED technology. Versatile original
compositions combining different available diameters.
Recessed aluminium fitting with pmma diffuser.*



HALO 1624 1623 1625



REF.
1624

DOWNLIGHT
IP43ext IP20int

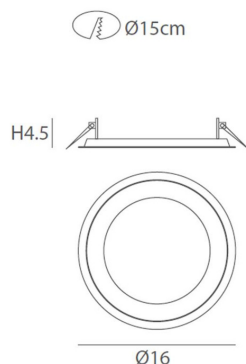
MATERIAL
Aluminio y metacrilato/
Aluminium and PMMA

ACABADO/ FINISH
Bisel blanco mate/ *Matt white frame*
Difusor satinado/ *Satinated diffuser*

INSTALACIÓN/ INSTALLATION
PCB LED 20W 700mA
CRI 82
- Cálida/ *Warm* 3000K 1413lm
- Neutra/ *Neutral* 4000K 1478lm

Ⓧ dim 1-10V Ⓧ dim DALI Ⓧ dim PUSH Ⓧ dim L,C

EEL: **A**



REF.
1623

DOWNLIGHT
IP43ext IP20int

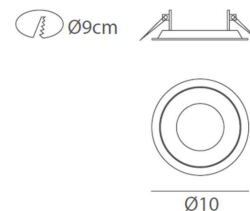
MATERIAL
Aluminio y metacrilato/
Aluminium and PMMA

ACABADO/ FINISH
Bisel blanco mate/ *Matt white frame*
Difusor satinado/ *Satinated diffuser*

INSTALACIÓN/ INSTALLATION
PCB LED 10W 350mA
CRI 82
- Cálida/ *Warm* 3000K 958lm
- Neutra/ *Neutral* 4000K 1003lm

Ⓧ dim DALI Ⓧ dim PUSH Ⓧ dim L,C

EEL: **A**



REF.
1625

DOWNLIGHT
IP43ext IP20int

MATERIAL
Aluminio y metacrilato/
Aluminium and PMMA

ACABADO/ FINISH
Bisel blanco mate/ *Matt white frame*
Difusor satinado/ *Satinated diffuser*

INSTALACIÓN/ INSTALLATION
PCB LED 6W 350mA
CRI 82
- Cálida/ *Warm* 3000K 376lm
- Neutra/ *Neutral* 4000K 394lm

Ⓧ dim DALI Ⓧ dim PUSH Ⓧ dim L,C

EEL: **A**

