

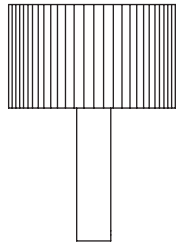
Moragas

Antoni de Moragas

1957

Table lamp

NUEVO ESTILO Award 1992



This is a table lamp with a serene exterior, the beacon of a modernity that captures the pragmatic temperament of a great Spanish pioneer. A central solid wooden column supports a generous circular shade made of bookbinding tape, whose asymmetry produces relaxing chiaroscuros.

GENERAL DESCRIPTION

Sapele wood leg.
Natural cotton ribbon lampshade with silk border.
Electric cable length: 4 m / 157.4"

LIGHT SOURCE

Recommended light sources:
LED bulb: 8 W
Compact fluorescent: 7 W
Incandescent: Max. 40 W
E14 - E12 (Max. hgt. 85 mm / 3.3")

Light source not included.
Dimmer included.
Compatible with bulbs of the Energy efficiency class (E.E.C): A++... E.
Lamp suitable only for indoor use.
Always use this light source recommended or equivalent.

Input voltage: 100, 120, 230 VAC (50Hz / 60 Hz). According to destination.

APPROXIMATE WEIGHT (without package)

4,4 Kg / 9.7 lb.

REGULATIONS

CE

IP 20

UNE-EN 60598

UNE-EN 55015

UNE-EN 60529



Non-class 2

Dry location only

UL-153

E-352592

MAINTENANCE

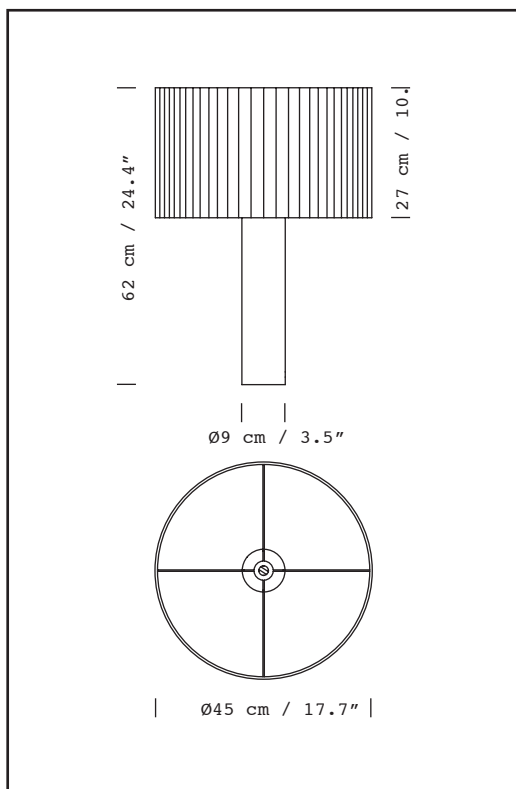
Clean with a smooth cloth. It is advised not to use any ammonia, solvent or abrasive products.

OTHERS

The lamp is delivered in different packages.

The assembly instructions are delivered with the product.

MODEL





Collection

Furniture



Moragas