


for GU10

OFF 

H.
min. 90mm

Ø100mm

1 2 3 4 5


refs. 43401, 43411

refs. 43402, 43412

100V~240V
~50Hz/60Hz

not incl

for MR 16

OFF 

H.
min. 70mm

Ø100mm

1 2 3 4

refs. 43401, 43411

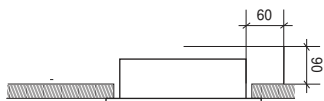
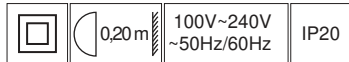
refs. 43402, 43412

12V

not incl

LIGHT SOURCE OPTIONS - OPCIONES DE FUENTE DE LUZ

GU10 MAX 8W LED (not included)
socket - portalámparas (not included)



MR16 12V MAX 8W LED (not included)
socket - portalámparas (not included)
gear - equipo (not included)

