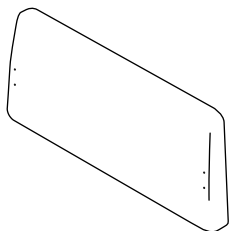


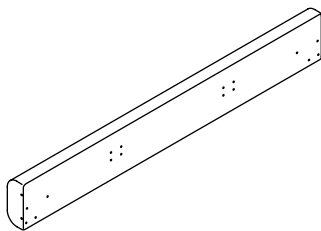


Kave® Cares

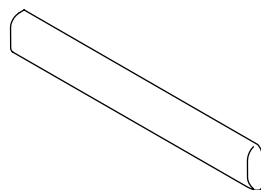
45 min	x1	x2	x1	x1



A x1



B x2



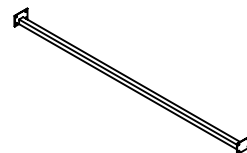
C x1



D x4



E x7



F x2



G x2



H x1



I x1



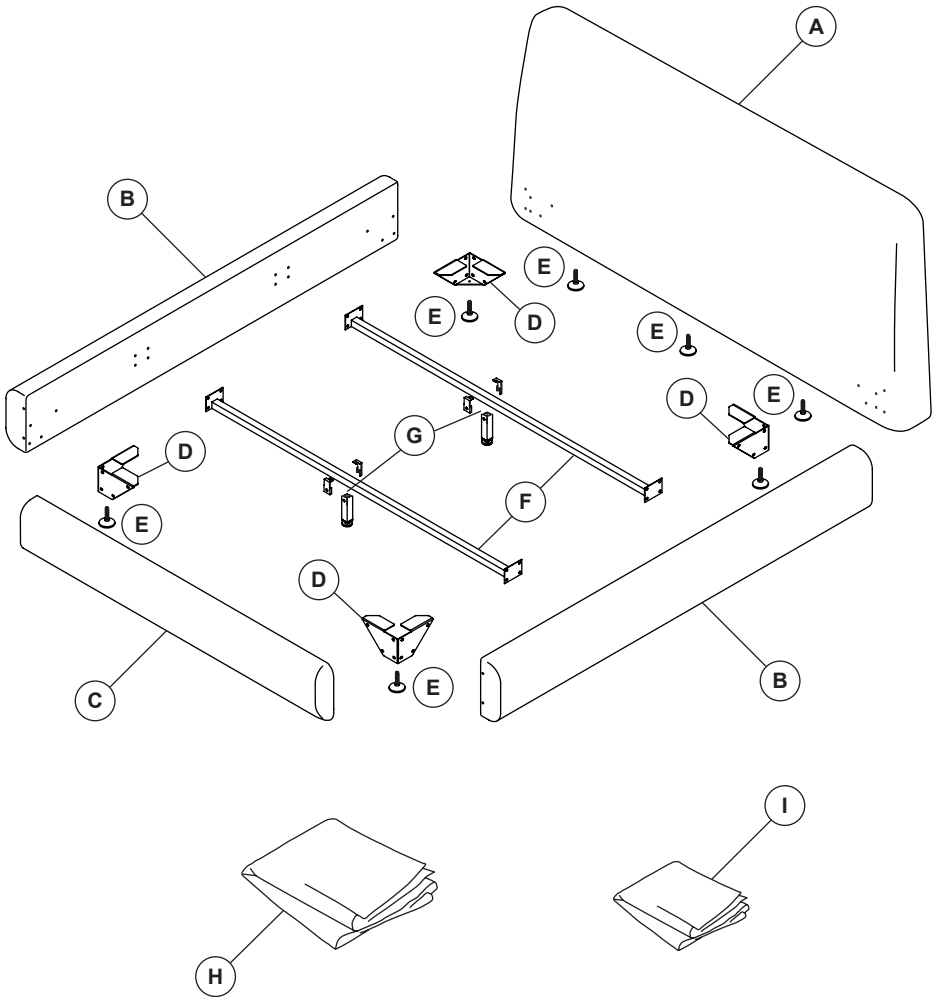
J x48
M6x20mm



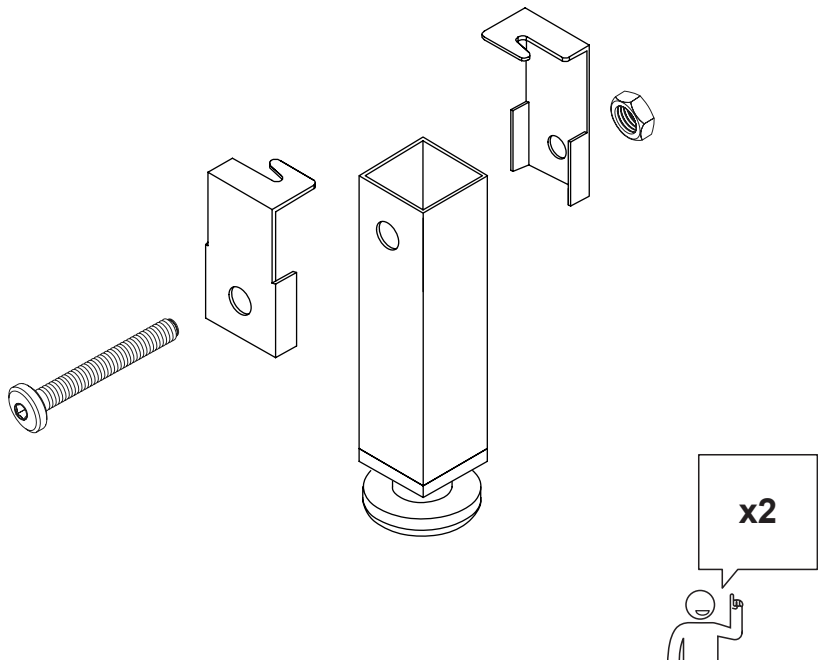
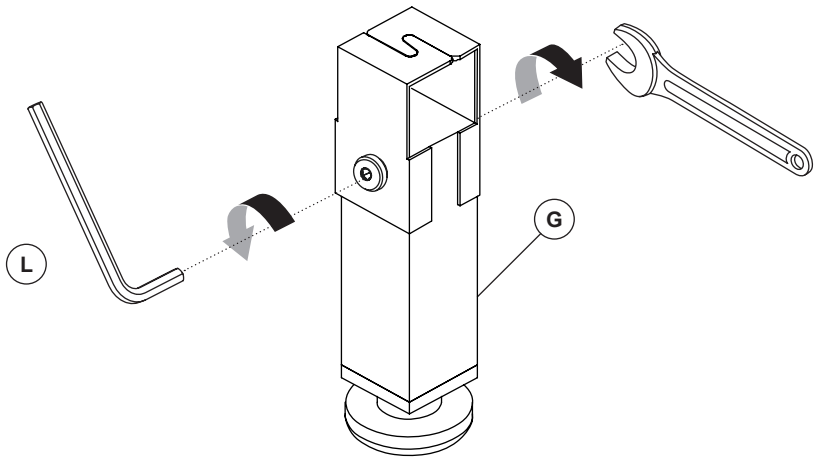
K x8



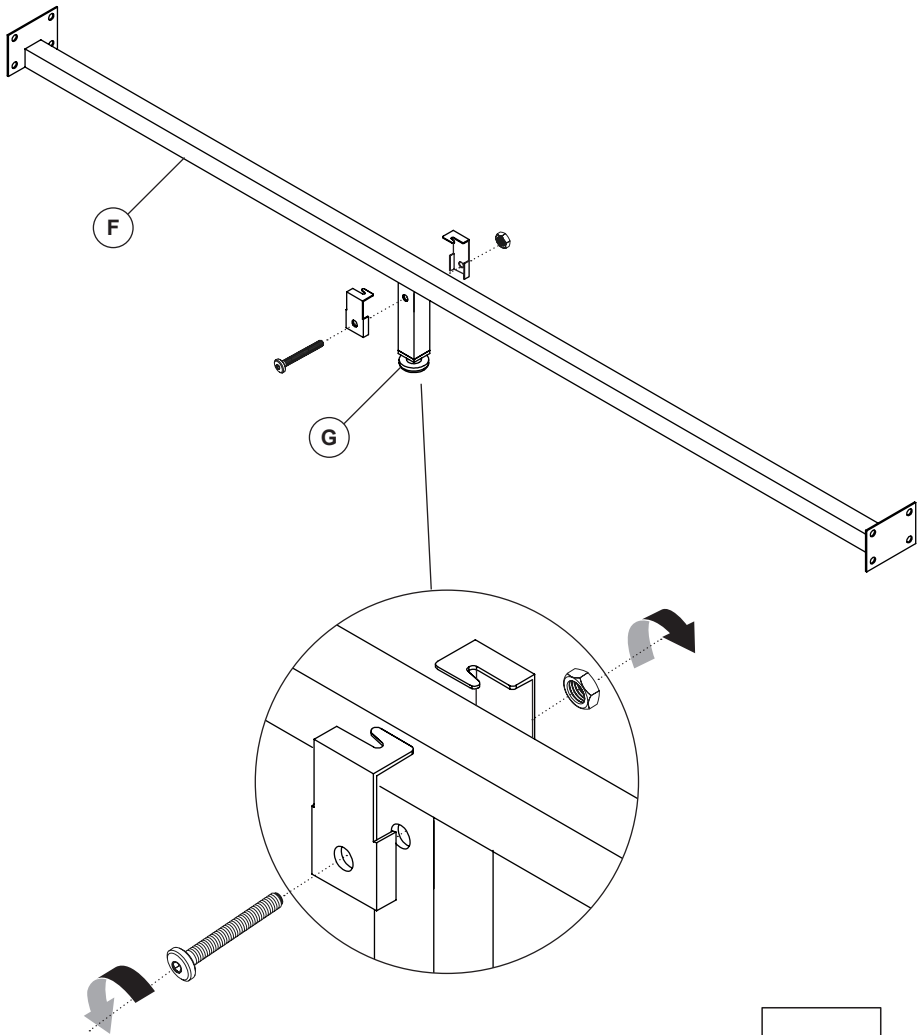
L x1



1



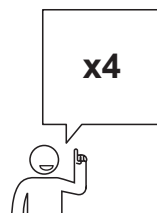
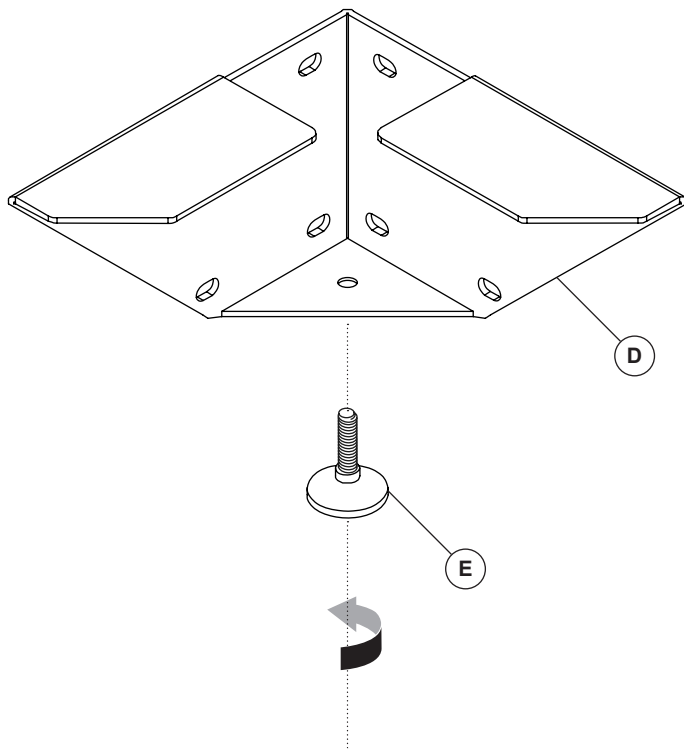
2



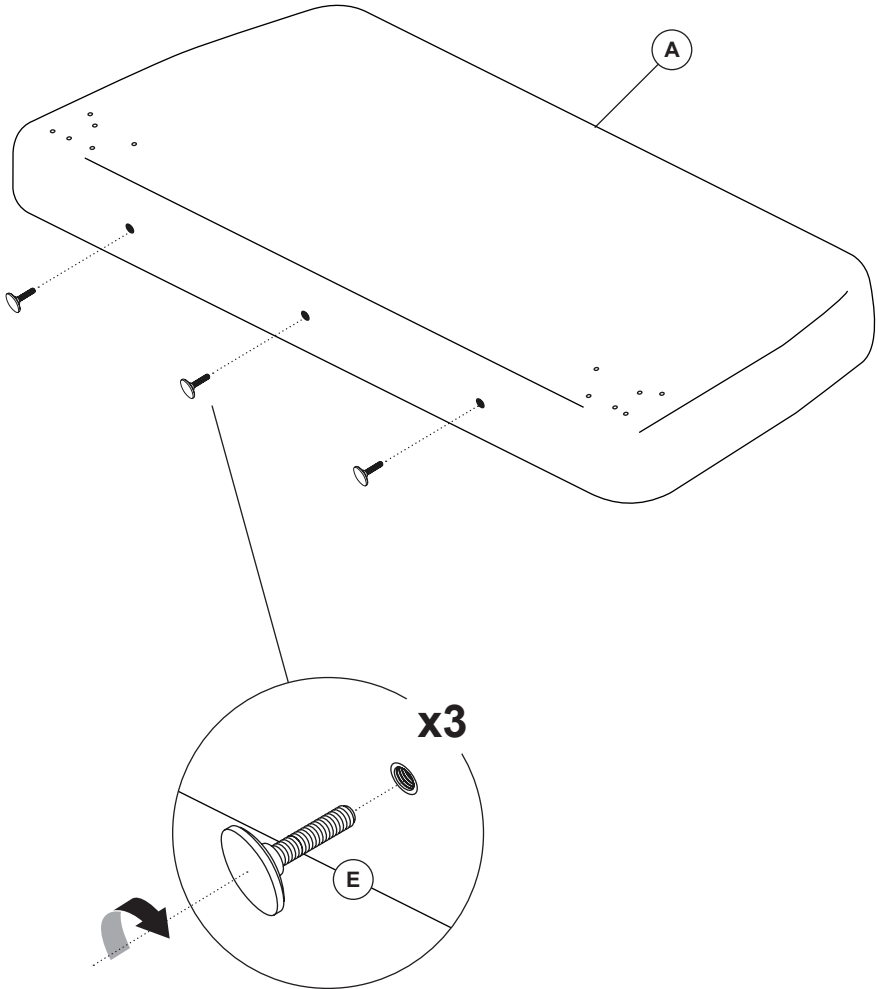
x2



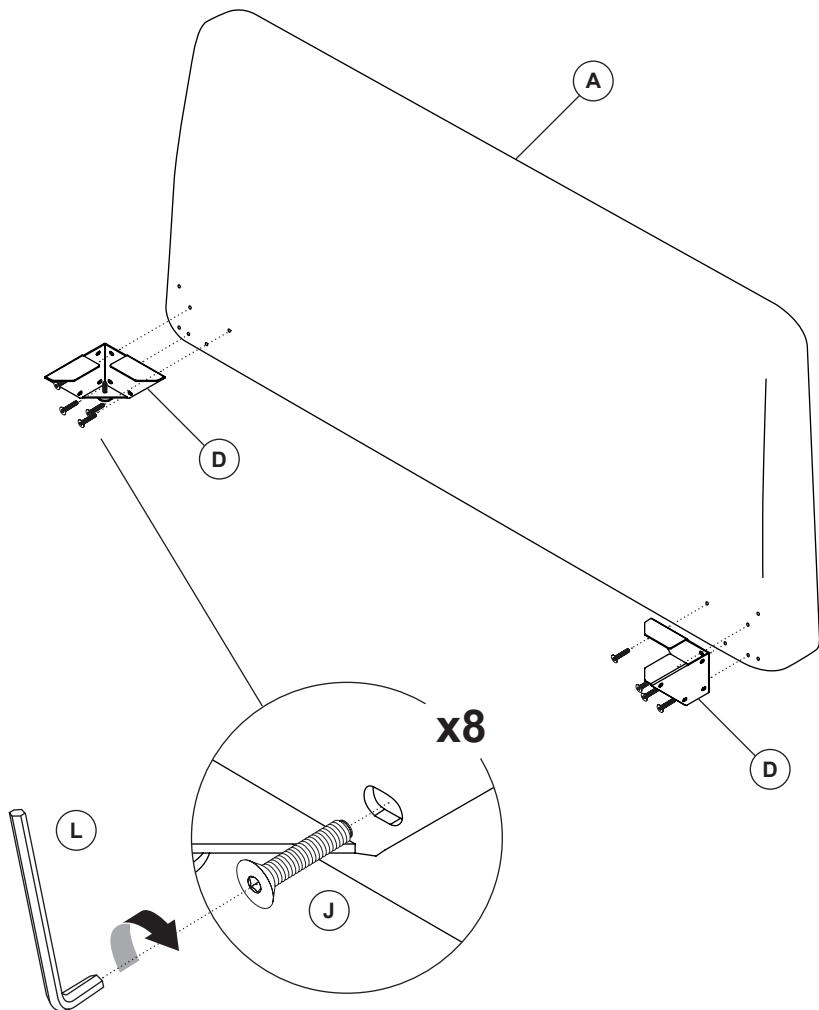
3



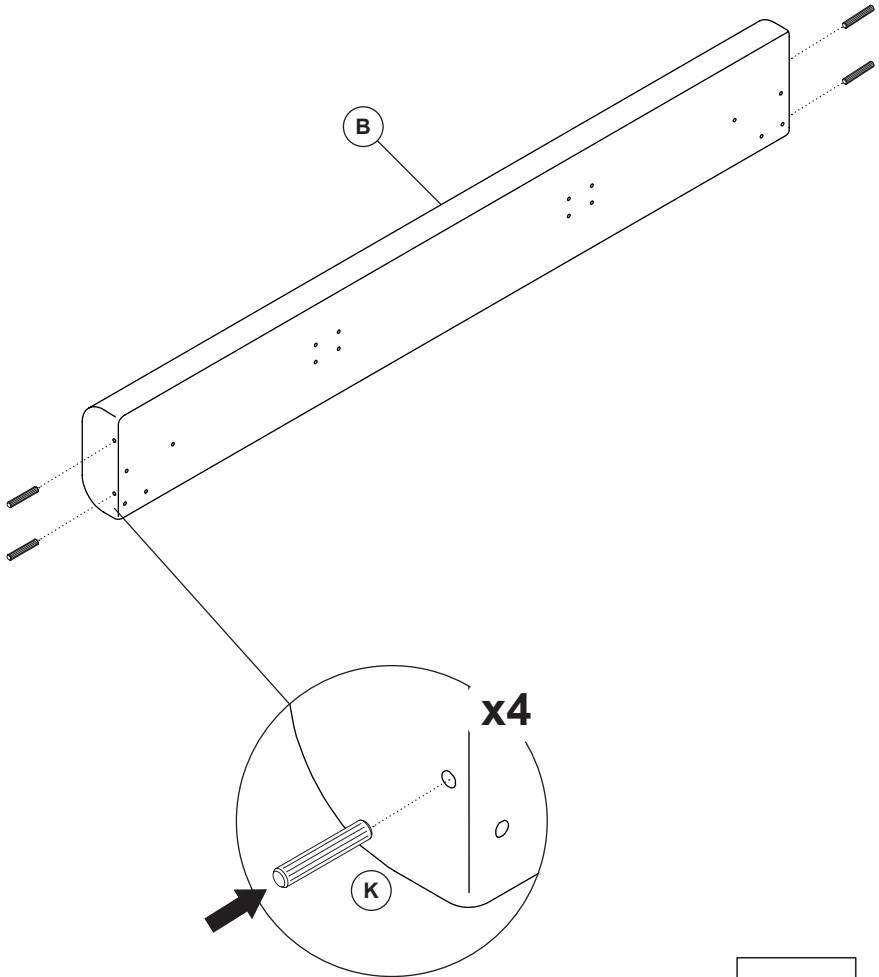
4



5



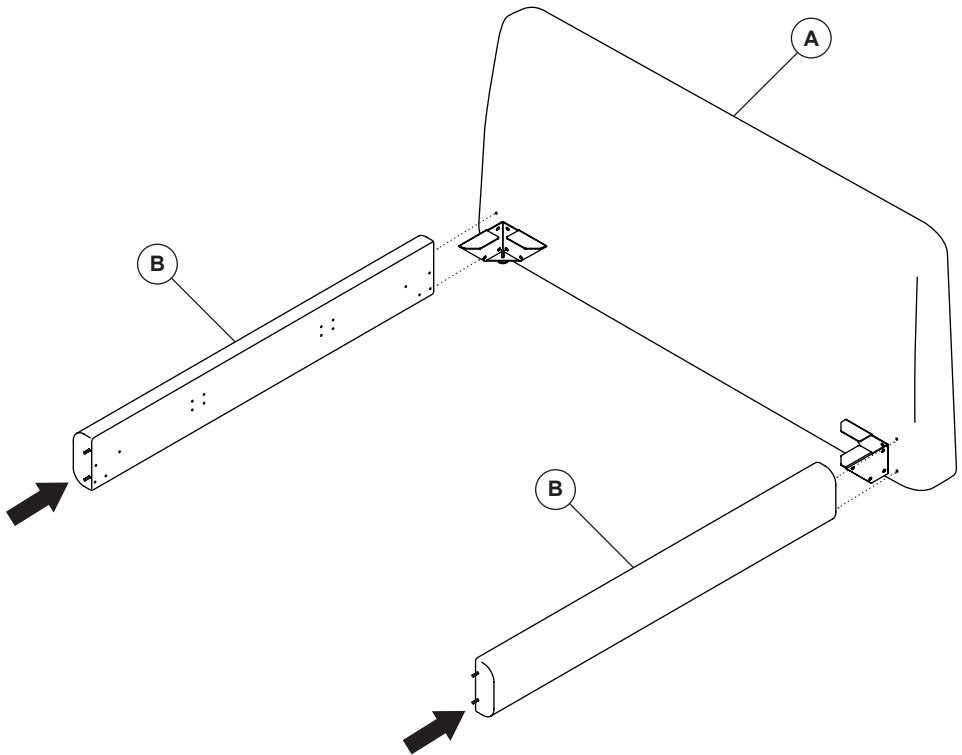
6



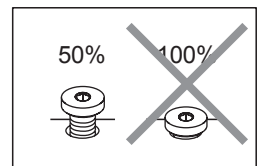
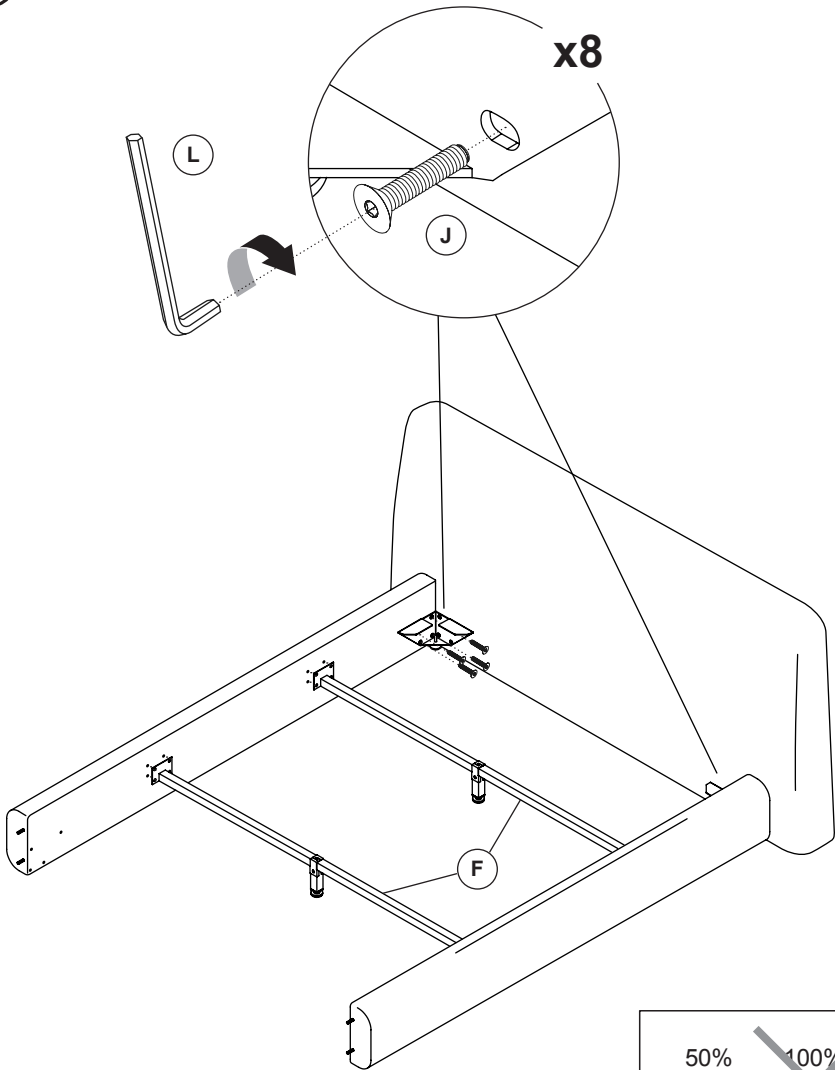
x2



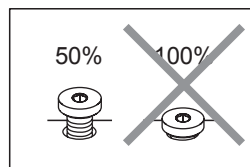
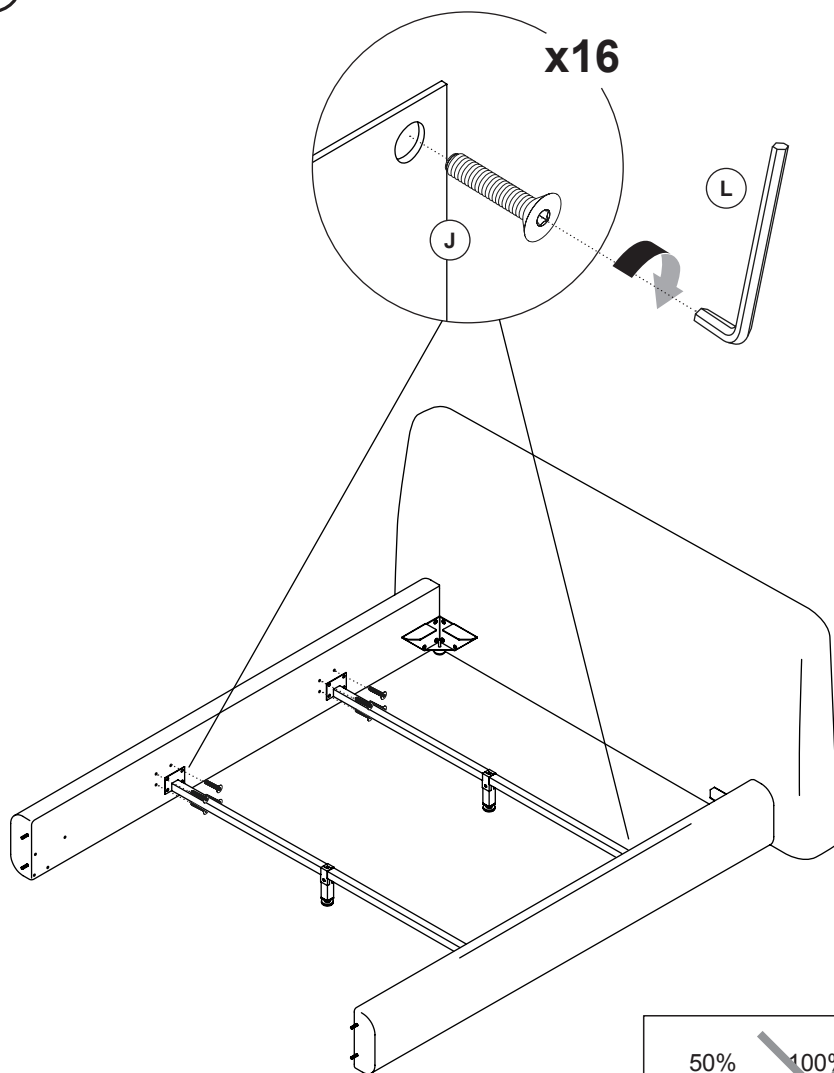
7



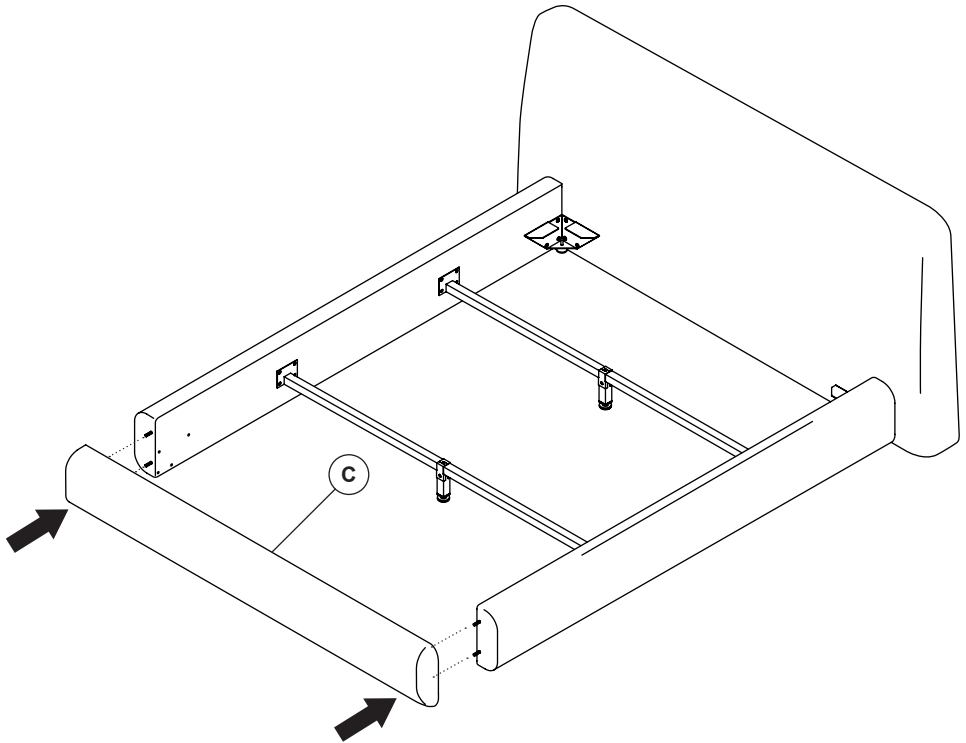
8



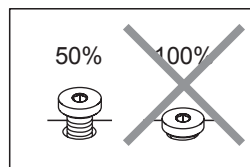
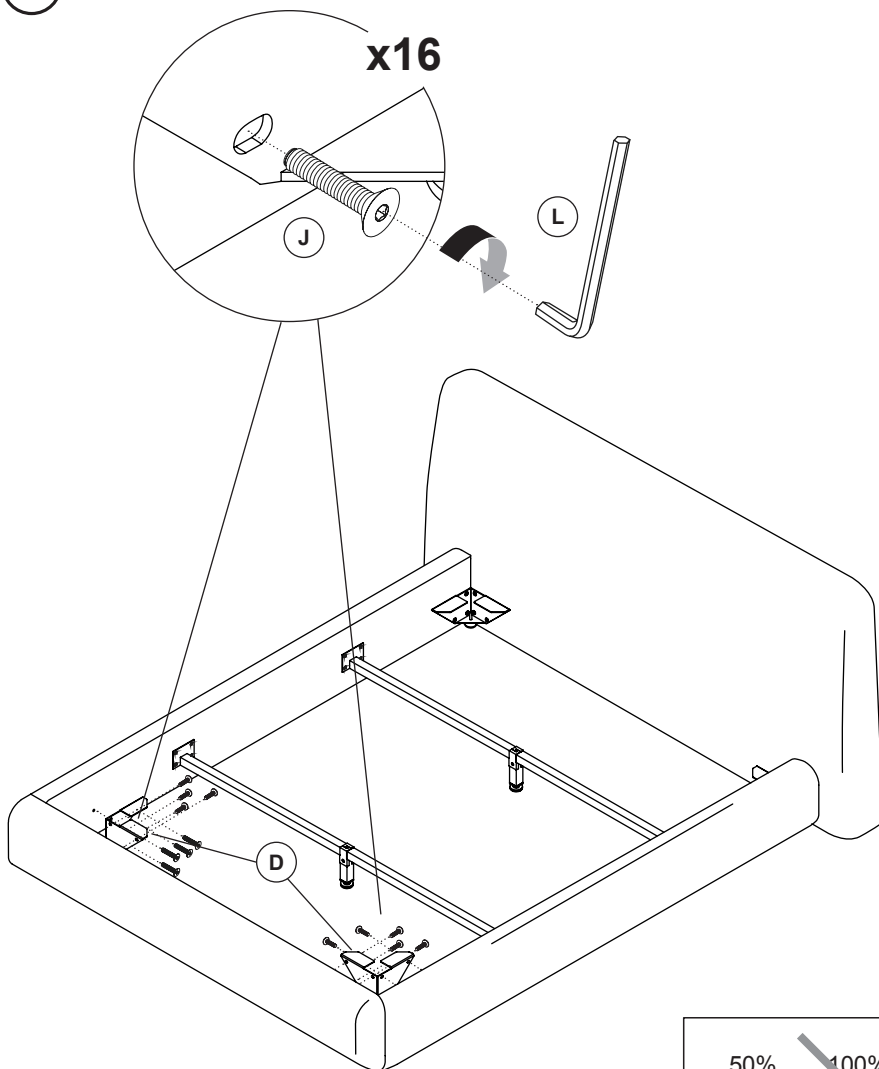
9



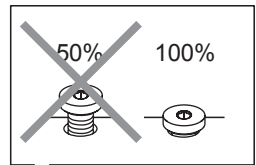
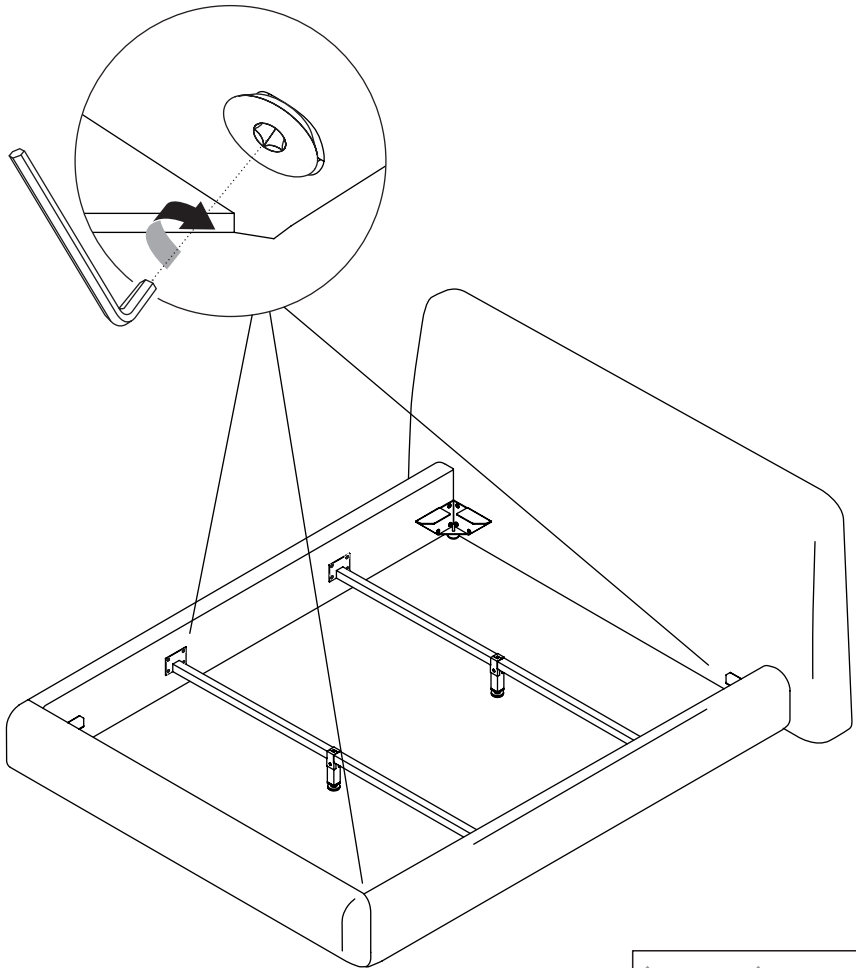
10



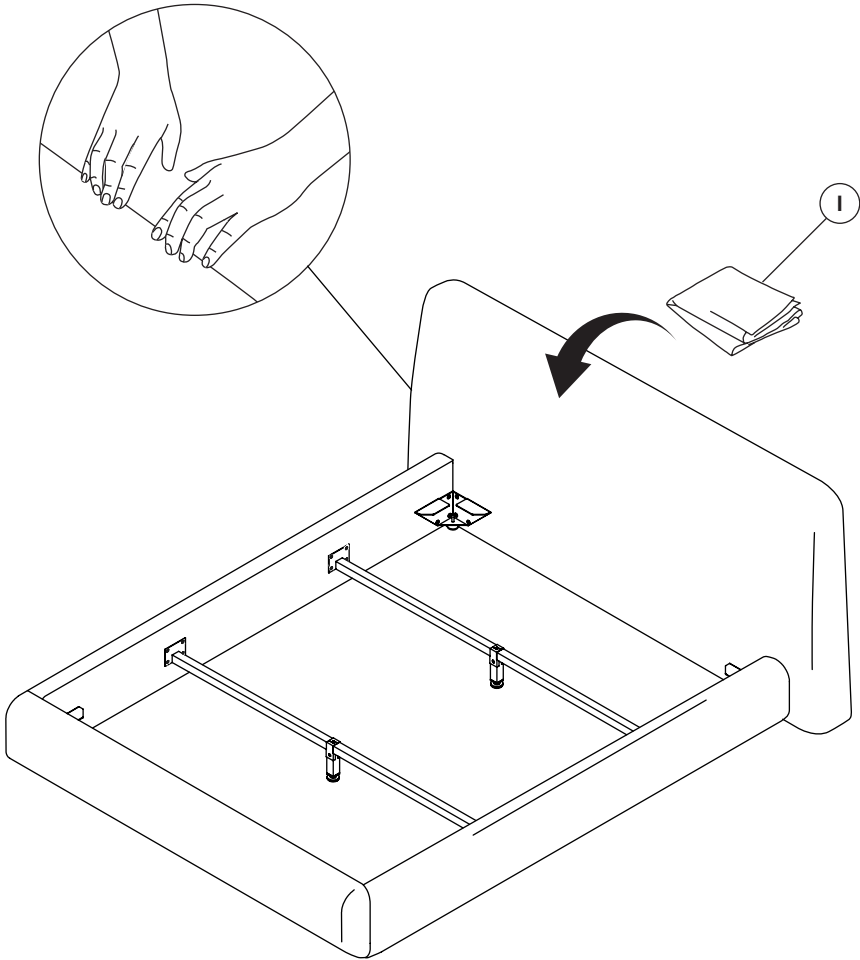
11



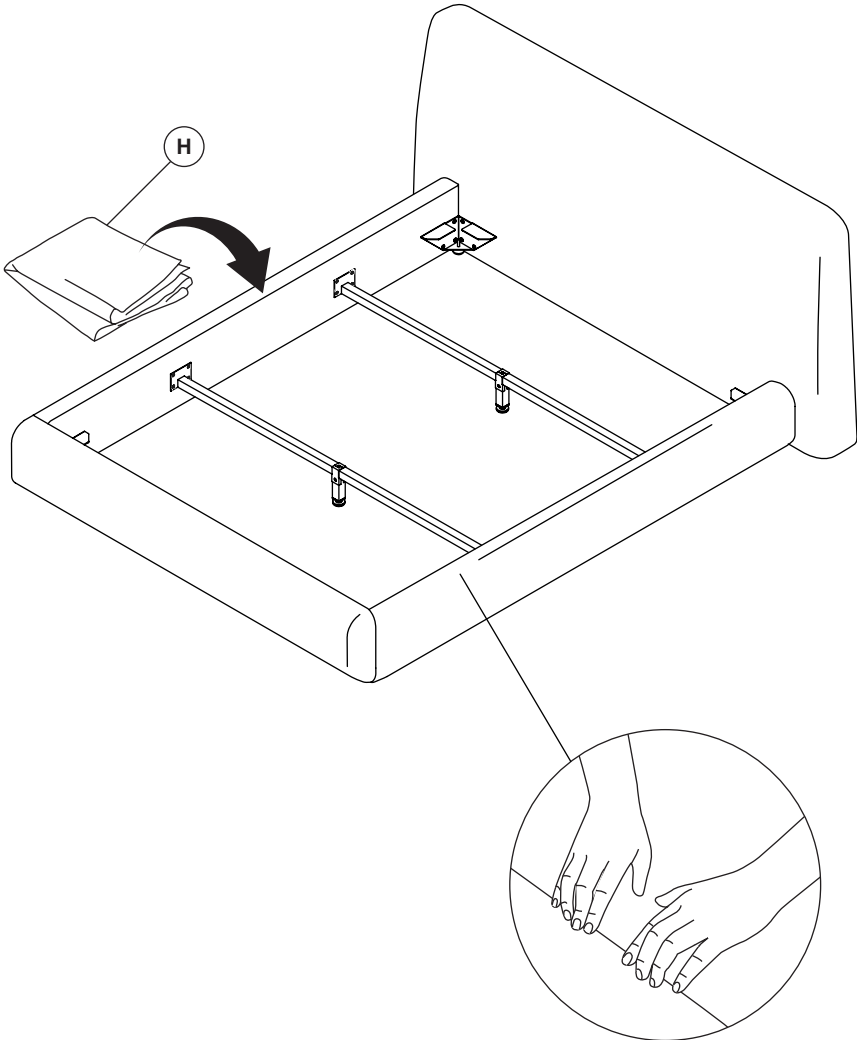
12

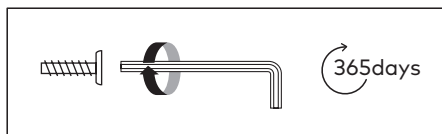
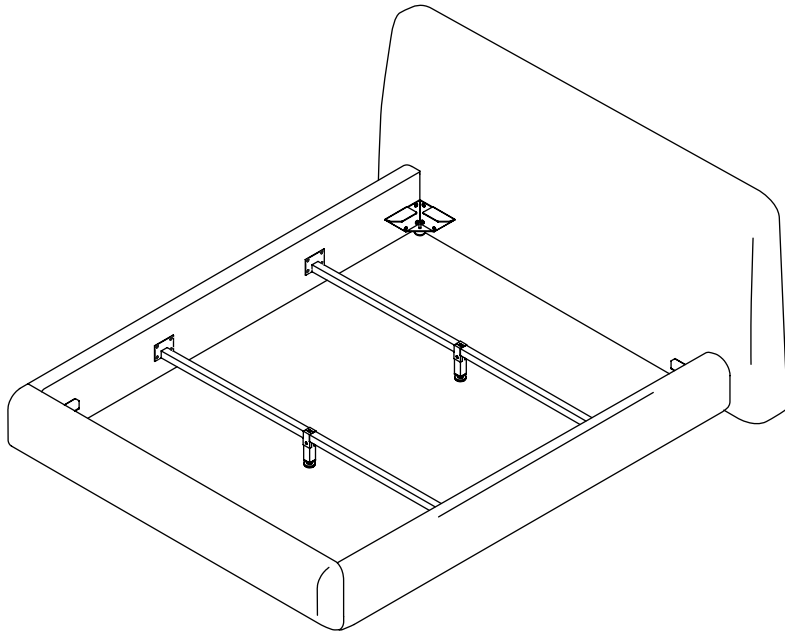


13



14







THAT'S ALL FOLKS

Share your style!

#KaveHome

