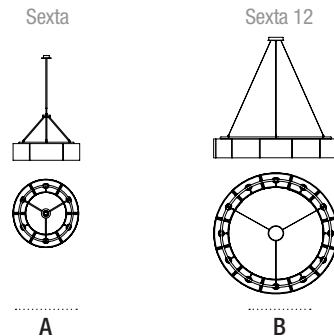


Sexta / Sexta 12

Miguel Milá, 2003

Hanging lamps



A double circle of light divided into six 60° sections or twelve 30° sections in a renewal of the iron luminaire tradition. Its illustrious, solid predecessor is the Estadio lamp, also designed by Miguel Milá.

DESCRIPCIÓN GENERAL

(A)

Chrome-plated structure.

4 support options, with telescopic tube: 40/75 cm / 15.75/29.5", 82/152 cm / 32.3/59.8" or 156/302 cm / 61.4/118.9" and without telescopic tube.

Six white translucent engineering plastic lampshades.

Optional opal translucent methacrylate diffusers.

Chrome-plated metallic circular ceiling plate.

(B)

Golden structure.

Hanging system of 1 support.

Twelve white translucent engineering plastic lampshades.

Optional opal translucent methacrylate diffusers.

Chrome-plated golden circular ceiling plate.

Electric cable length: 3 m / 117"

LIGHT SOURCE

(A)

Recommended light sources:

6 x LED bulb: 12 W

6 x Compact fluorescent: 11 W

6 x Incandescent: Max. 60 W

E27 - E26 (Max. hgt. 115 mm / 4.5")

Light source not included.

Compatible with bulbs of the energy efficiency class (E.E.C): A++... E

Lamp suitable only for indoor use.

Always use the light source recommended or equivalent.

Input voltage: 100, 120, 230 VAC

(50 Hz / 60 Hz) According to destination.

(B)

Recommended light sources:

12 x LED bulb: 12 W

12 x Compact fluorescent: 11 W



12 x Incandescent: Max. 60 W

E27 - E26 (Max. hgt. 115 mm / 4.5")

APPROXIMATE WEIGHT (unpacked)

- (A) Sexta: 10 Kg / 22 lb
(B) Sexta 12: 12,20 Kg / 44 lb

REGULATIONS

CE	
	Non-class 2
IP 20	Dry location only
UNE-EN 60598	UL-1598
UNE-EN 55015	E-353545
UNE-EN 60529	

MAINTENANCE

Clean with a smooth cloth. It is advised not to use any ammonia, solvent or abrasive products.

OTHERS

The lamp are delivered in different packets.
The assembly instructions are delivered with the product.

MODELS

