

TECHNICAL CHARACTERISTICS

BJUN

Juno

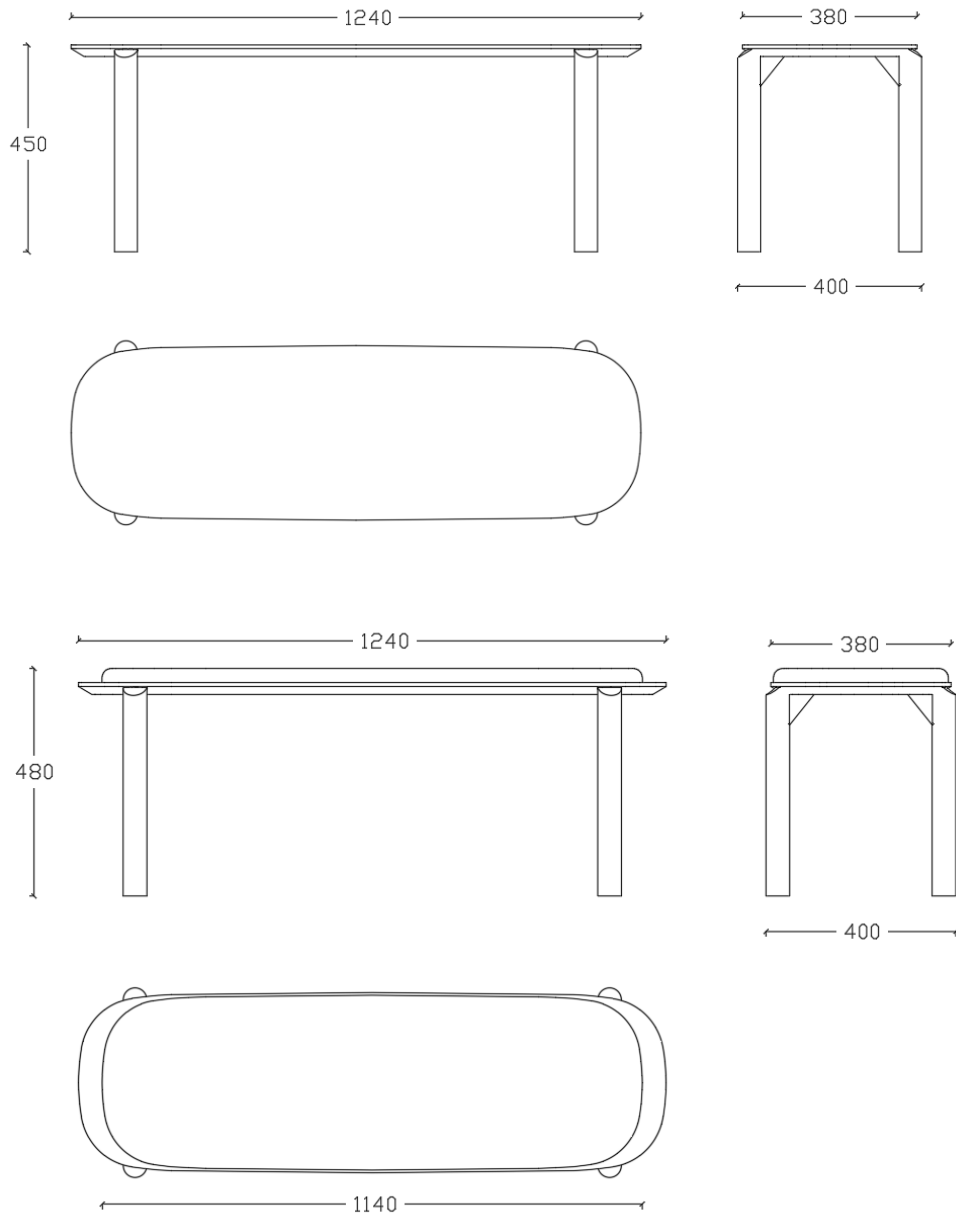
Bench

The collection of Juno tables has soft and round shapes that reinforces its character. With delicate, balanced and expressive proportions, this is a collection designed to dialogue and adapt to any environment in a friendly, integrated and honest way.

DESIGNED BY MADE STUDIO



ondarreta



DIMENSIONS

Height: 45 cm (17,7")

Height with upholstery: 48 cm (18,9")

80 cm x 38 cm (31,5" x 15")

94 cm x 38 cm (37" x 15")

124 cm x 38 cm (48,8" x 15")

144 cm x 38 cm (56,7" x 15")

[length x seat width]

WIGHT

80 cm: 7 kg (15,4 lb) – upholstered:

9 kg (19,8 lb)

94 cm: 8 kg (17,6 lb) – upholstered:

10 kg (22 lb)

124 cm: 10 kg (22 lb) –

upholstered: 12 kg (26,5 lb)

144 cm: 11 kg (24,3 lb) –

upholstered: 14kg (30,9 lb)

CERTIFICATION

Designed in accordance with the Ecodesign standard UNE-EN ISO 14006:2011.

PEFC certified wood.

ORIGIN

100% Made in Europe

DESIGN

Made Studio

ondarreta



COMPONENTES

LEGS

Oak

Legs entirely in solid oak wood with a diameter of 50 mm (2").

Finish

Stained

SEAT

Oak + MDF

European Oak sheet on technical wood table of 25 mm (0.98") thick, CNC machined and beveled edge.

Laminate + MDF

High-pressure plain colour laminate glued and pressed in high temperatures on technical wood table of 25 mm (0.98") thick, CNC machined and beveled edge.

Arpa Fénix + MDF

Arpa Fénix laminate glued and pressed in high temperatures on technical wood table of 25 mm (0.98") thick, CNC machined and beveled edge.

Arpa fenix is an extremely opaque, anti-fingerprint and nanotechnological material that heals superficial micro-scratches.

Technical characteristics:

Urea-formol glue: low formaldehyde emission (E1 European Normative)

The wood has the PEFC certificate.

Finish

Stained oak

FITTINGS

Material

2 mm (0.08") thick steel plates, laser cut and later welded.

Finish

Black, linen and season colour epoxy

WOOD FINISH

STAIN

Pigmented enamel with a transparent stain coating. Reactive drying paints: excellent adherence between layers and better mechanical resistance.

Technical characteristics:

Satisfying UNE-EN 71-3 normative; Formaldehyde free compounds.

METAL FINISHES

EPOXYS

Powder covering formulated with polyester resins, with good both mechanical and chemical properties, outdoor maximum resistance and noxious compounds free. Electrostatic application and oven cured at 200°C (392°F).



Technical characteristics:

Thickness (ISO 2360): between 60 and 90 µm.

Adherence (ISO 2409): Grade: 0 (maximum adherence)

UPHOLSTERY REQUIREMENT

80 cm: 0,5 m (19,7")

94 cm: 0,5 m (19,7")

124 cm: 0,5 m (19,7")

144 cm: 1,5 m (59,1")

