







SETTING FITTINGS			DR-136I2		
FITTINGS	SPEC.	AMOUNT	FITTINGS	SPEC.	AMOUNT
A	 M8x15	4pcs	B	 5mm	1pcs
C	 ϕ 25	4pcs	D		2pcs
E	 3.5x30	4pcs	F		4pcs

FIG.
1

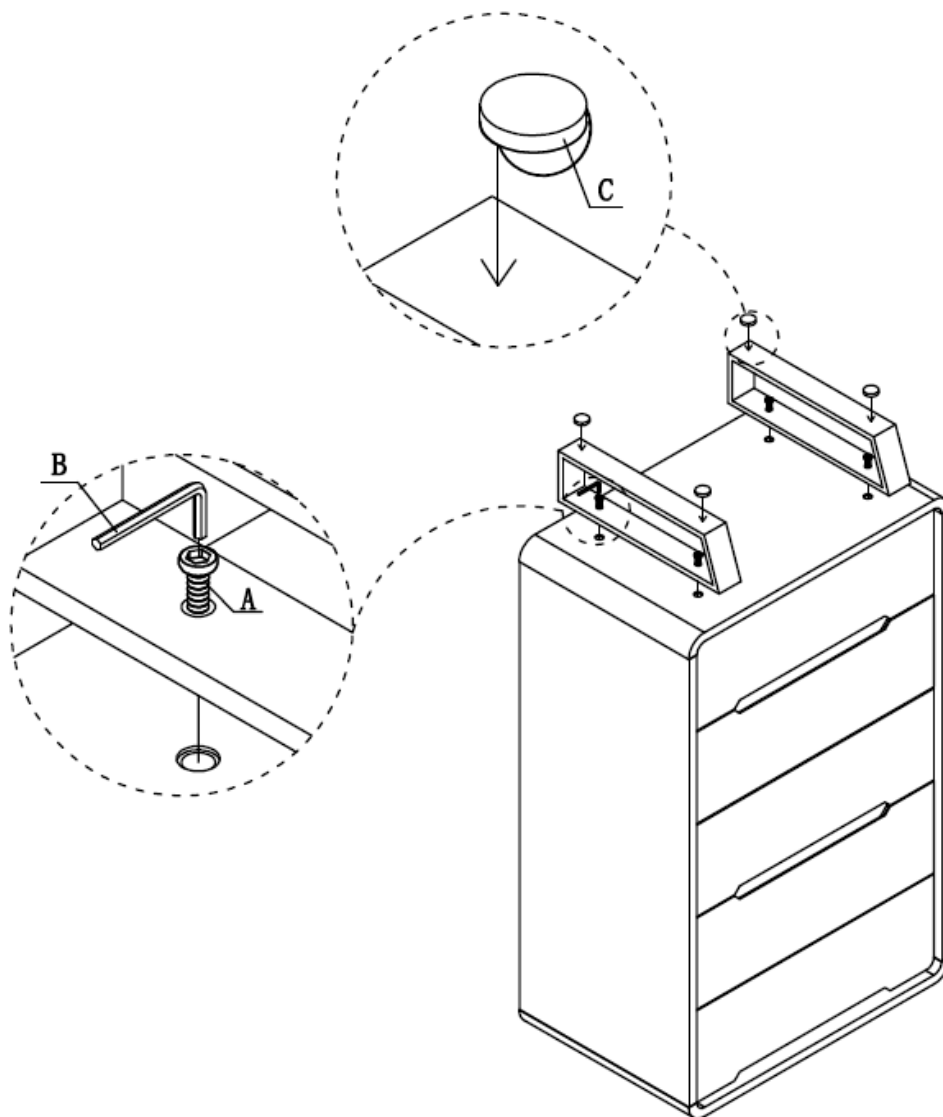


FIG.
2

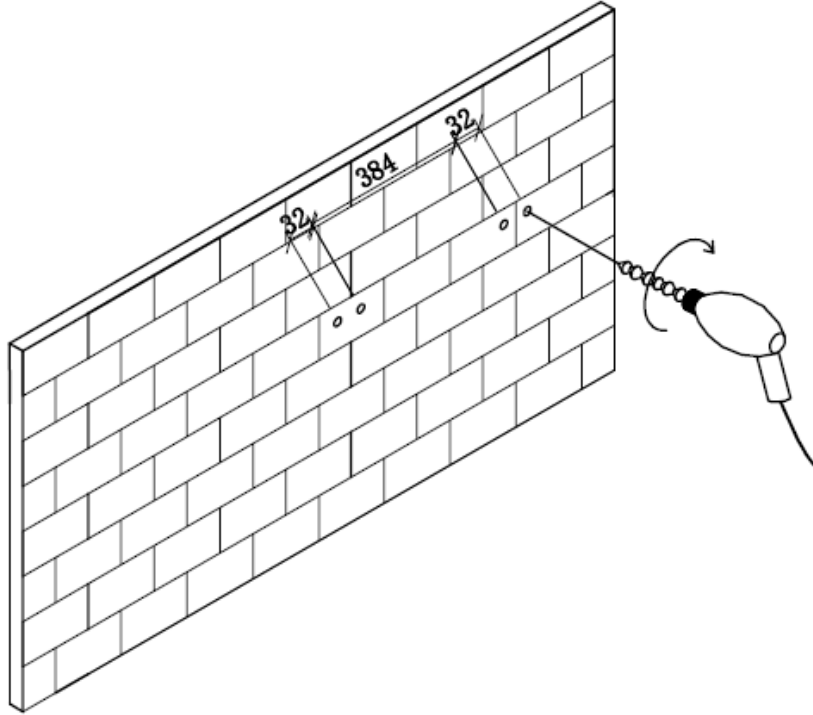


FIG.
3

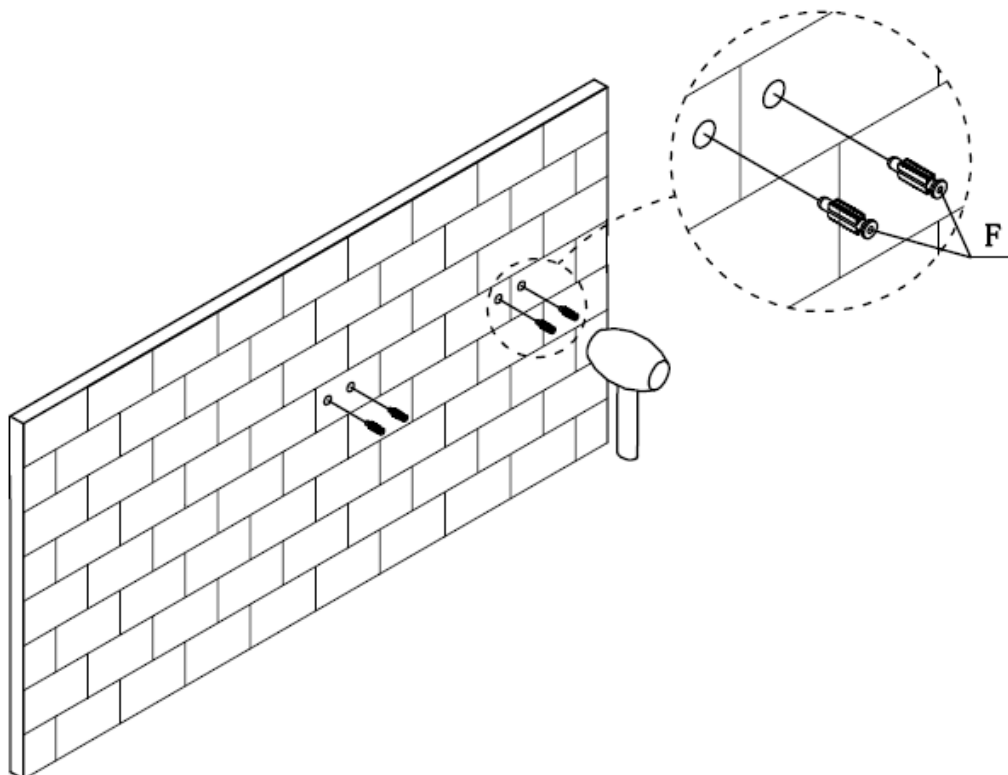


FIG.
4

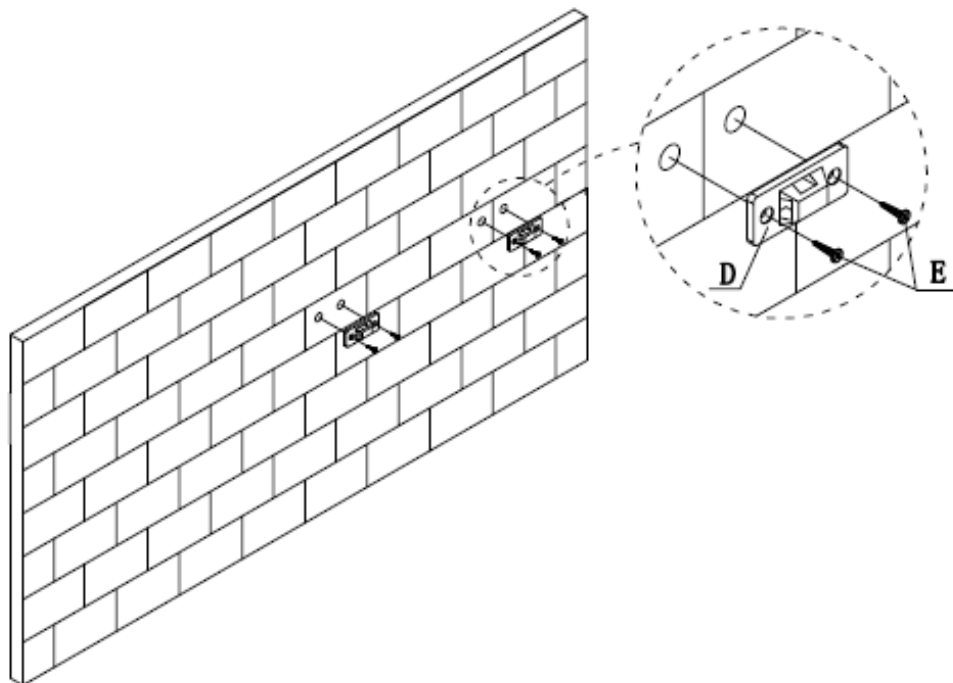


FIG.
5

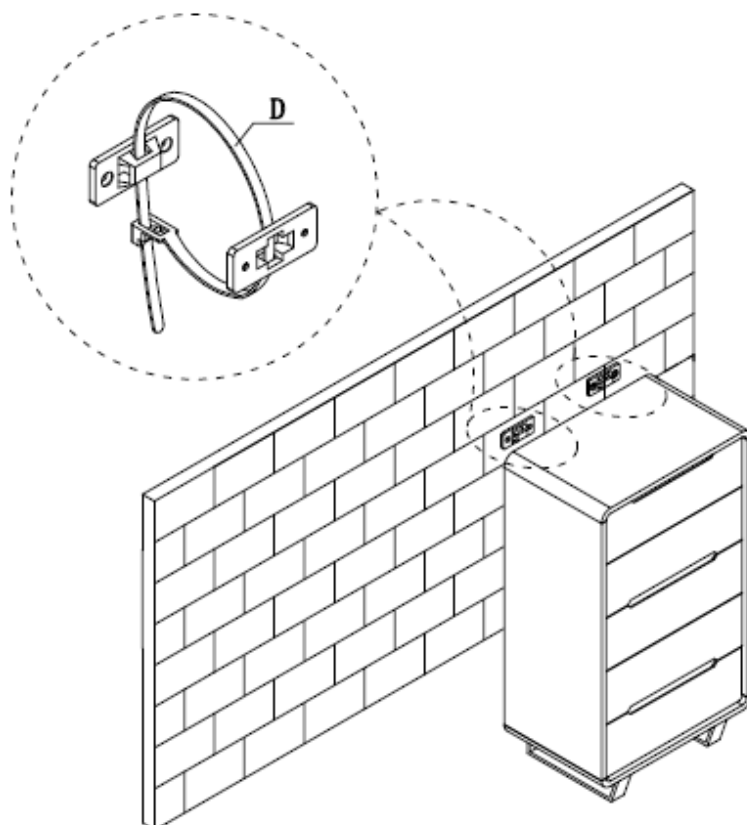
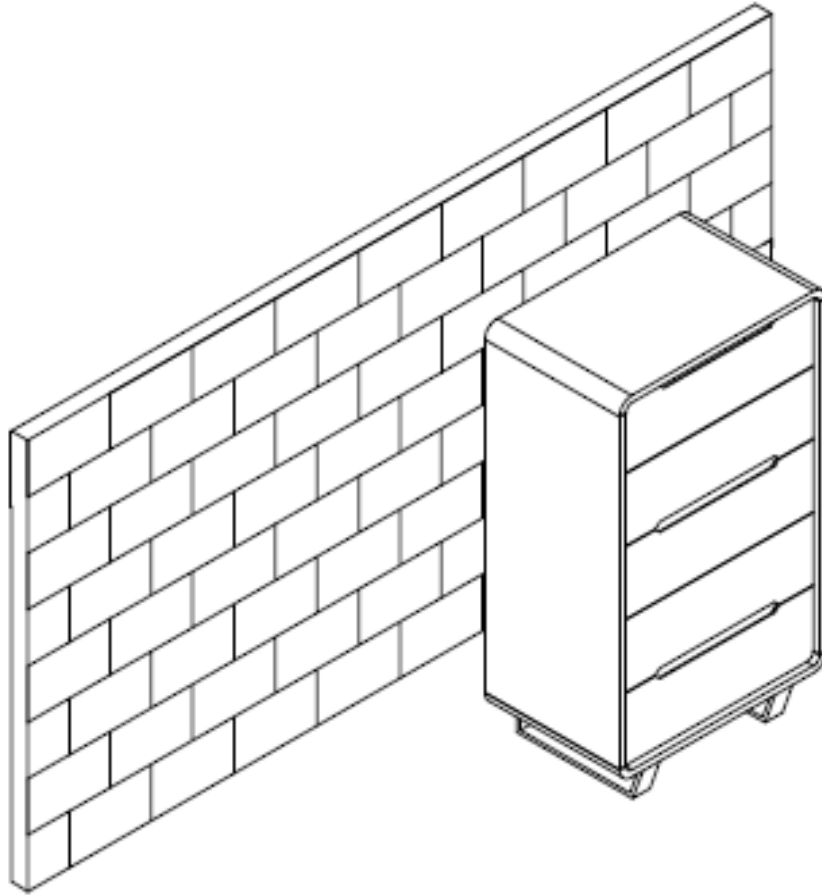


FIG.
6



Anti-Tip Kit

It is recommended that the Anti-tip kit included with this product be installed for added safety and stability. It is essential to use wall anchor appropriate for your wall type, along with appropriate screws, for proper mountin. The screws included in this Anti-Tip Kit may not be suited for all wall types. Mounting to wood studs is recommended. Consult a qualified professional or your local hardware store for appropriate mountin hardware suited for your specific wall medium.