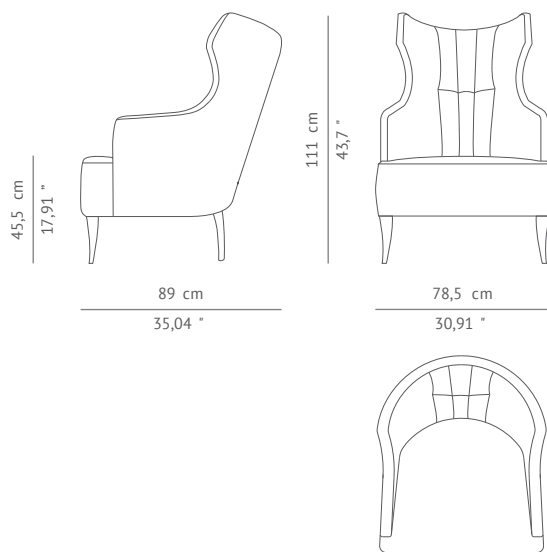


CASEGOODS UPHOLSTERY LIGHTING RUGS ART ACCESSORIES



IGUAZU | ARMCHAIR

In the border between Argentina and Brazil there is one of the most striking views in the world - the IGUAZU falls. This view inspired us to design one more living room furniture piece, the IGUAZU armchair. Shaped as the cliff's outline, it's in the striped pattern in the chair's back that the fierceness of the waterfall is recalled. A wingback chair's style, IGUAZU perfectly combines the strength and harmony of the waterfalls. It's in this combination, that this living room furniture piece finds its major asset, the capacity to bring harmony with strong character to any home decor.



DIMENSIONS

WIDTH	78,5 cm 30,91"
DEPTH	89 cm 35,04"
HEIGHT	111 cm 43,7"
SEAT HEIGHT	45,5 cm 17,91"
SEAT DEPTH	57,5 cm 22,64"
ARMREST HEIGHT	63,5 cm 25"

MATERIALS

FABRIC	Cotton velvet
FABRIC REFERENCE	BB MOSS I - Colour 5
FABRIC NEEDED	7 mts 275,6" (Standard width 1,40mts 55")
LEGS	Black matte lacquered
NAILS	Aged gold

FABRIC / LEATHER REQUEST

COM	7 mts 275,6" (Standard width 1,40mts 55")
COL	125,5 sq ft

PACKAGING

DIMENSIONS	W 85,5 cm 33,6" D 96 cm 37,79" H 118 cm 46,46"
VOLUME	0,97m ³ 34,26 ft ³
WEIGHT	33kg 72,75 lbs

LEAD TIME

Production time is between 6 to 8 weeks for BRABBU collections.
Delivery time is not included.

All of our furniture can be made to measure and it is available in different finishes.
Please note that the colours and materials shown are for reference only and small variations may occur.