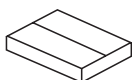




Kave® Cares



15min



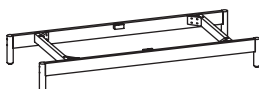
x1



x2



**A** x1



**B** x1



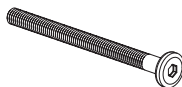
**C** x1



**D** x2



**E** x2  
M6x45mm



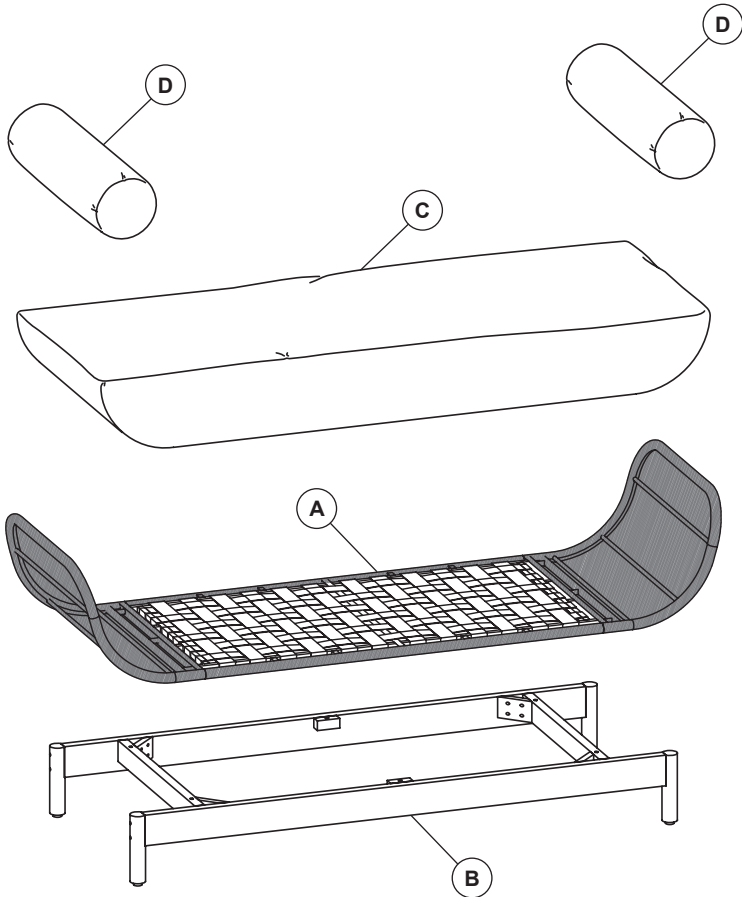
**F** x4  
M6x85mm



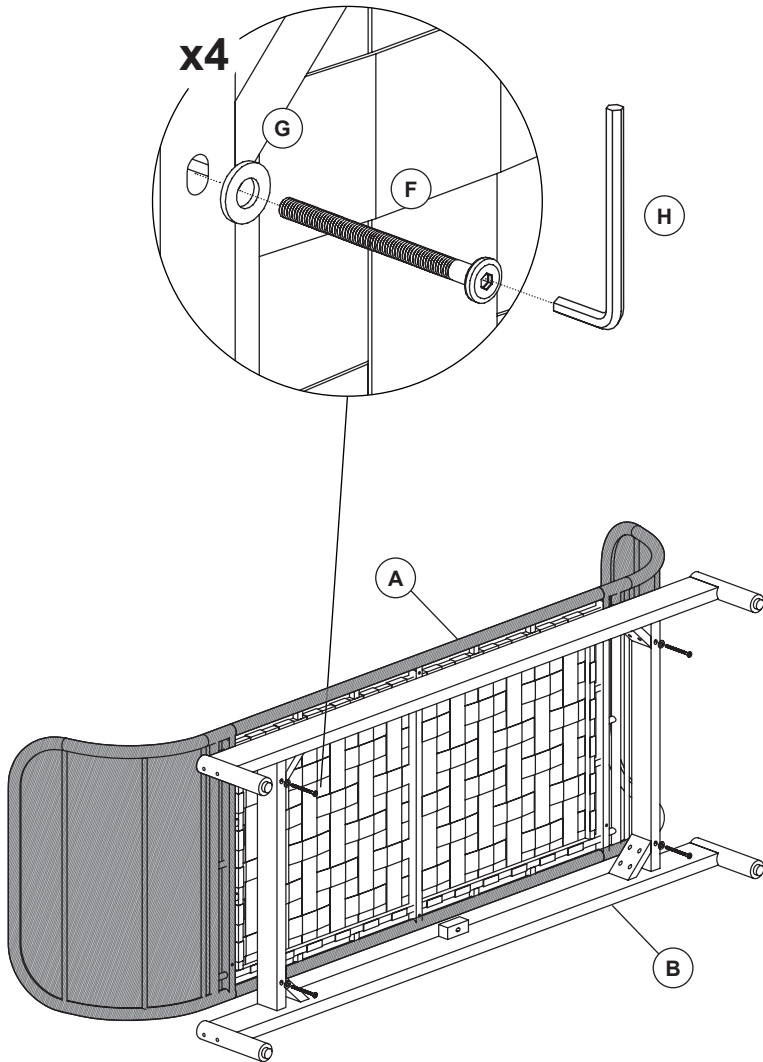
**G** x6



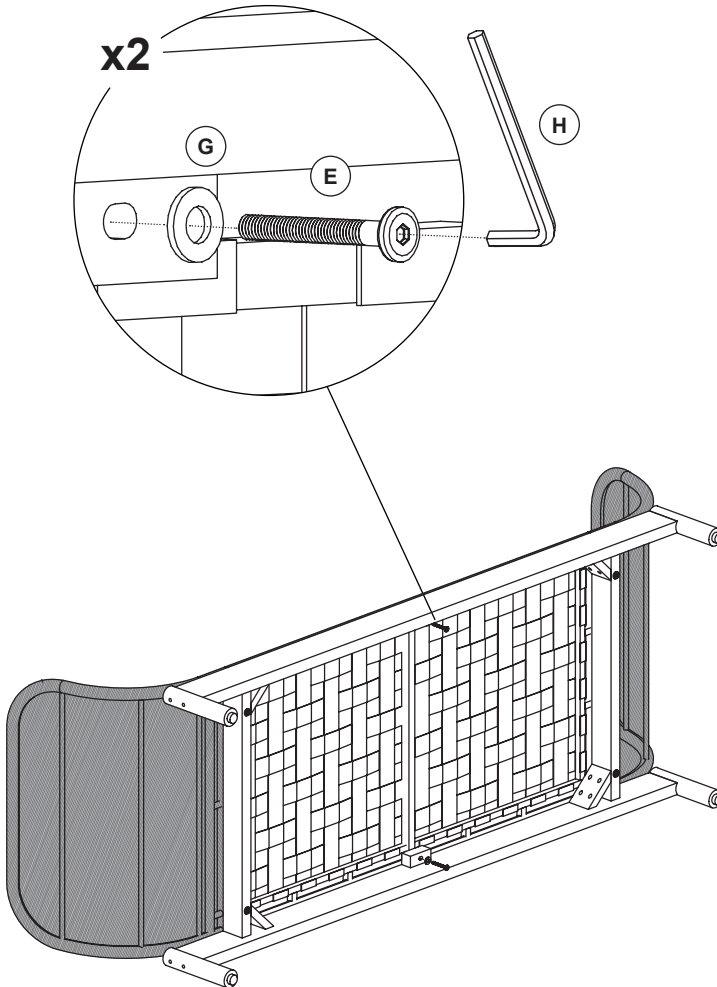
**H** x1



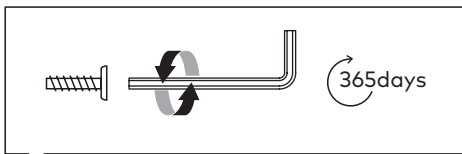
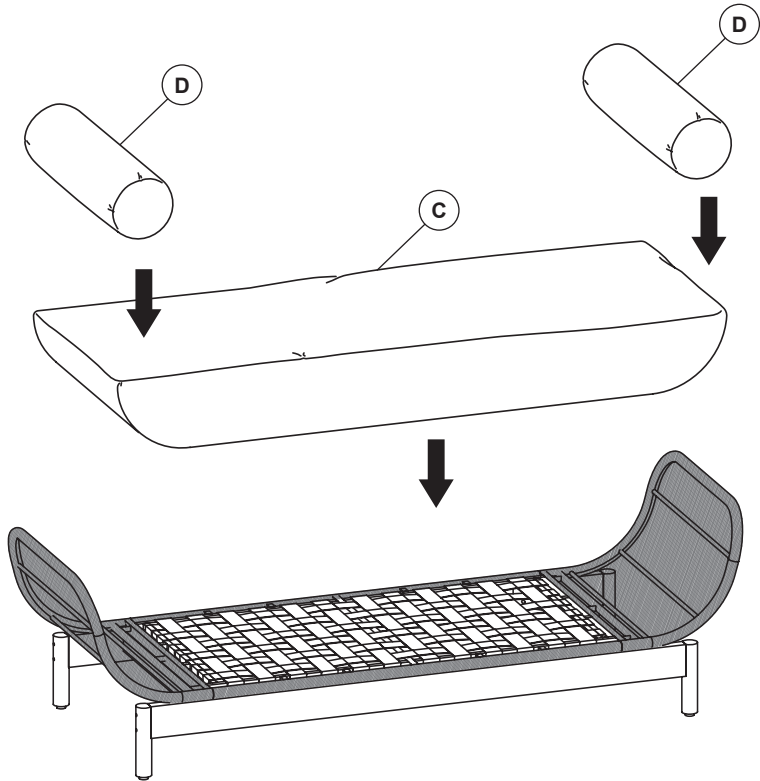
1



2



3





**THAT'S ALL FOLKS**

Share your style!

#KaveHome

