

Adley

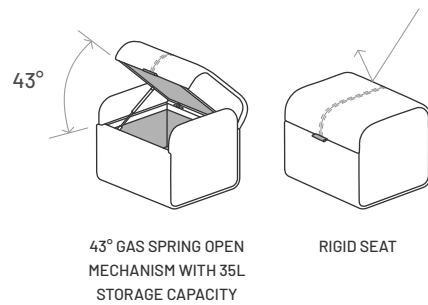
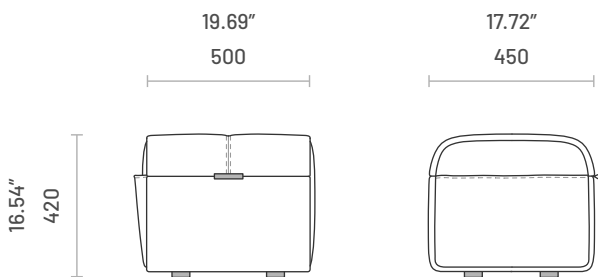
STORAGE POUF

With a modern take on the traditional shapes and patterns of history, Adley opens the door to a purposeful world, serving as a storage piece or even as additional seating. An effortless opening system takes over the contemporary field and gives it another impact, allowing storage suitable for every kind of living. Adley's versatile design is available in two sizes and will bring functionality to any kind of interior.

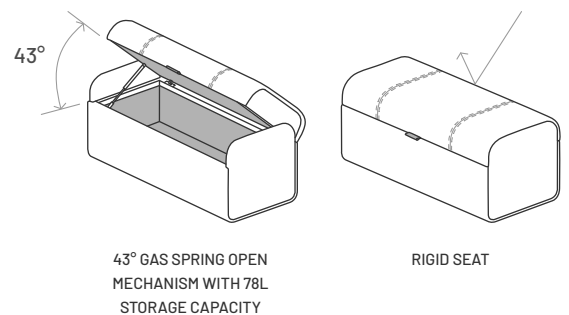
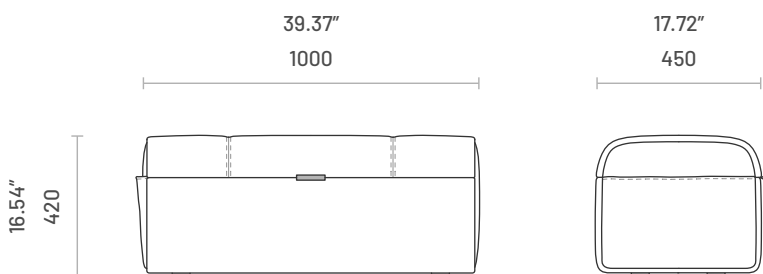


Specifications

Dimensions (Adley S)



Dimensions (Adley L)



Technical Information

Frame

Structure: Pine wood and plywood

Padding

Structure: 60kg/m³ polyurethane foam

Materials and Finishes

Overview









Available Finishes

	1	2	3
Fabrics			
Aldan	●	—	—
Arno	●	—	—
Astoria	●	—	—
Avalon	●	—	—
Bergen	●	—	—
Brampton	●	—	—
Clarence	●	—	—
Columbia	●	—	—
Devon	●	—	—
Galway	●	—	—
Helmand	●	—	—
Hudson	●	—	—
Osaka	●	—	—
Provence	●	—	—
Synthetic Leathers			
Rupert	●	●	—
Natural Leathers			
Albany	—	—	●
Aspen*	●	—	—
Dover*	●	—	—

*A **minimum order of 2 units** is required for natural leather colors that are **not included** in the Domkapa Sample Box (colors **not marked** with the golden ribbon on the Materials and Finishes document).

COM Fabric and Leather Requirements

Item	1		2
	Fabric	Leather	Fabric
Adley Pouf S	 2.70 lm 8.85 ft	 5.40 m2 58.32 ft2	 1.20 lm 3.93 ft
Adley Pouf L	 4.00 lm 13.12 ft	 8.00 m2 86.40 ft2	 2.70 lm 8.85 ft