

Model **ROME0**



Technical Information

Frame	Frame of pine wood and MDF
Seat Suspension	Lifetime guarantee
Back Suspension	Webbing 80mm
Seat Foam	30Kg foam on seat cushions + fibre
Seat Firmness	Medium Foam (white) *
Back Cushions	Fibre fibersilk 100%
Loose Cushions	
Legs Options	Swivel leg
Colors	chrome, nube, dark grey, natural metal

Guarantee

Frame and seat suspension
Lifetime guarantee

Rest of Pieces 2 years*

*6-month guaranty extension by activating it on the web

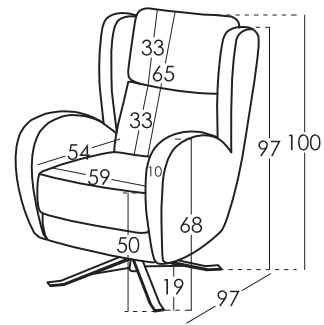
Comments: * You would like to know more?
Check the FAQs section in our website

Cushions Measures

Measures

Scheme

Width	77 cm
Height	100 cm
Depth	97 cm
Seat Height	50 cm
Arm Height	68 cm
Back Height	65 cm
Depth when open	- cm
Net Weight	24 kg
Gross Weight	25 kg
Volume m3	0,52 m3



Packaging

Shrink wrapping plastic packaging with protective corner brackets

Options



Types of Standard Foam

Hardness: Soft Grey colour 35Kg	Hardness: Medium White colour 35Kg	Hardness: Hard Green colour 30Kg
---------------------------------------	--	--

Types of Fire Retardant Foam

Hardness: Medium Grey colour 41Kg	Hardness: Soft White colour 36Kg
---	--

* You can request a different seat hardness from the standard of the model with a small price increase

ROME0 is manufactured by Fama Sofas, whose quality system is certified by AENOR and IQNET, according to ISO 9001-2015, with certificate number ES-0790/1999.

All models have passed the tests required for granting the quality control label from Aidima-Cetem laboratories.

