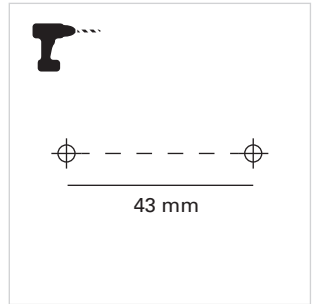
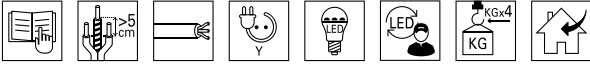


Safran

DE-0225

FOR
LIGHT



1

3

OFF

ON

GU10

L L
N N

43 mm

Detailed description: The installation instructions are divided into six panels. The top row shows step 1 (mounting bracket and OFF switch) and step 3 (wiring diagram and ON switch). The bottom row shows the removal of the mounting bracket, the insertion of a GU10 bulb, and the final illuminated light fixture. A wiring diagram in step 3 shows L, N, and ground connections. A dimension line indicates a 43mm distance between mounting holes. An 'OFF' switch icon is shown in a blue circle, and an 'ON' switch icon is shown in a blue circle. A 'GU10' bulb icon is shown below the bulb insertion step.

