

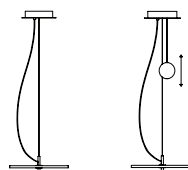
BlancoWhite D1-D2

Antoni Arola, 2013

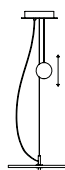
Pendant lamp



D1 ceiling / D1 ceiling up&down

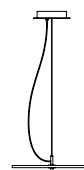


A

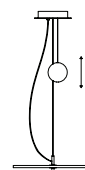


B

D2 ceiling / D2 ceiling up&down



C



D

The BlancoWhite family stands out thanks to the thin, 1-centimetre thick luminous plate that comprises the cross-section of all versions. The round plates, D1 small and D2 large, both of which can be used at a fixed point or with a counterweight to go up and down, constitute a practical arrangement of those applied in more commonplace pendant lighting.

All models house a smart LED plate (executed via a dot cutting system) with small incisions of increasing concavity along the bottom of the light surface which become more concave the further they are from the source, thus lending the light beam homogeneity.

GENERAL DESCRIPTION

Graphite metal structure with matte finish.
Circular metal canopy with power supply incorporated.
Option of Up&Down counterweight to adjust height.
Suitable for Junction Box (UL market).
Electric cable length: 3 m / 118.1"

LIGHT SOURCE

Light source included.

(A / B)

Strip of 66 LEDs
Power system: 22 W
Operating voltage: 12 VDC
T^a Colour: 3.000 K
CRI: 90
Lifetime: 40.000 h
Luminous flux: 792 lm

(C / D)

Strip of 84 LEDs
Power system: 28 W
Operating voltage: 12 VDC
T^a Colour: 3.000 K
CRI: 90
Lifetime: 40.000 h
Luminous flux: 1.008 lm

Built-in LED.
Energy efficiency class (E.E.C):
A⁺⁺... A.
Suitable only for indoor use.
Always use this light source.0

Input voltage : 90 ~ 264 Vac.
(50 Hz / 60 Hz). According to destination.



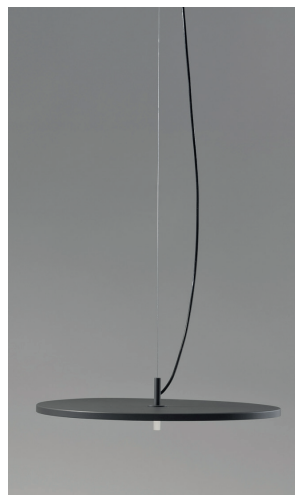
SANTA & COLE



D1 ceiling



D1 ceiling up&down



D2 ceiling



D2 ceiling up&down

APPROXIMATE WEIGHT (unpacked)

- (A) BlancoWhite D1 ceiling: 3 kg / 6.6 lb
- (B) BlancoWhite D1 ceiling up&down: 4 kg / 8.8 lb
- (C) BlancoWhite D2 ceiling: 4 kg / 8.8 lb
- (D) BlancoWhite D2 ceiling up&down: 5 kg / 11 lb

REGULATIONS



IP 20

UNE-EN 60598

UNE-EN 55015

UNE-EN 62031

UNE-EN 61000-3-2

UNE-EN 60529

UNE-EN 61347-2-13

MAINTENANCE

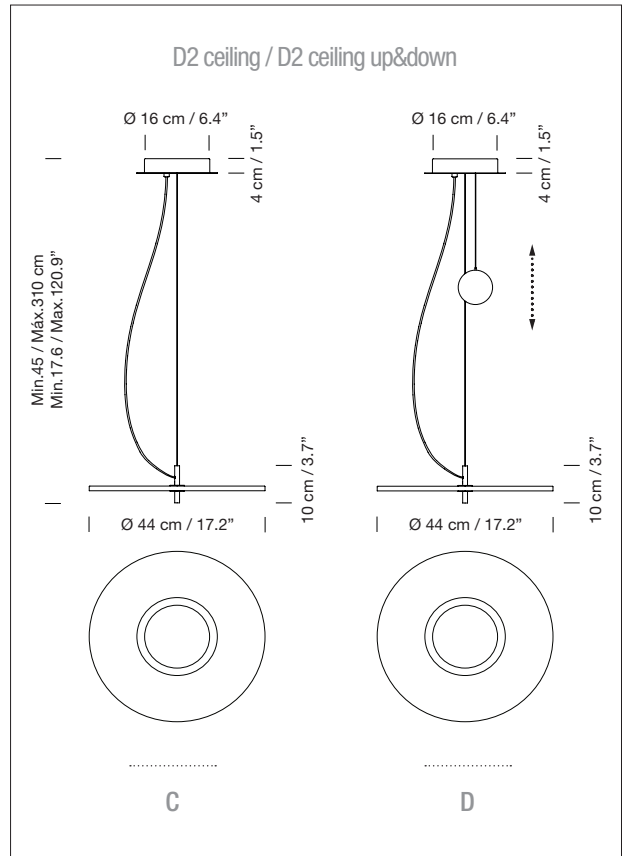
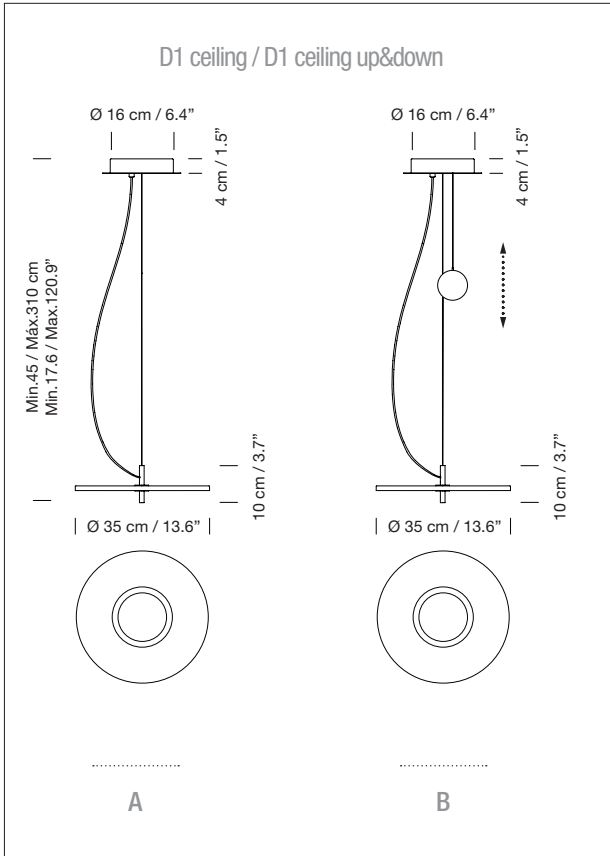
Clean with a smooth cloth. Do not use ammonia, solvents or abrasive cleaning products.

OTHERS

The lamp is delivered in different packages.

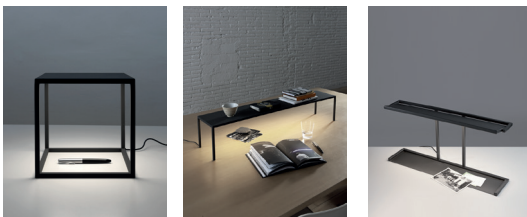
The assembly instructions are delivered with the product.

MODELS



COLLECTION

Table lamps



C1 Table

R3 Table

R1 Rotating

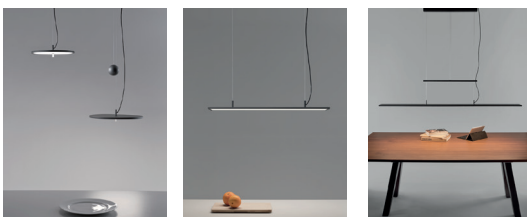
Wall lamps



C1 / R1 wall rotating
R1 wall

C1 wall rotating scene

Pendant lamps



D1 / D2 ceiling
D1 / D2 ceiling up&down

R3 ceiling

Golden Gate